



DRIVELINE COMPONENTS CATALOG

CENTER YOKES, TUBE YOKES AND BALL STUD TUBE YOKES



J300P-5
JUNE 2008

Supersedes
Section 5, Dated
November 2005

Change Log:

10/2/08 pg 5 140-28-17 centerline to point of weld dimension corrected
140-28-27 centerline to point of weld dimension corrected



This publication contains data on Spicer center yokes and ball stud tube yokes for double cardan driveshafts and Spicer tube yokes for single cardan driveshafts.

HOW TO IDENTIFY A CENTER YOKE USING THIS CATALOG

To identify any center yoke, three pieces of information are required:

1. Determine the Series
2. Determine the dimension between center of U-Joint to center of U-Joint
3. Determine the type of part (circular or rectangular)

Example: To find a 1310 Series rectangular type, with a center to center dimension of 2.75, see the following example:

1. Find the 1310 Series heading
2. Find the Center to Center dimension of 2.750
3. Find a type 1 (circular is type 2, rectangular is type 1)

Order Spicer Center Yoke Part Number 2-26-177

Be sure to read any notes that are provided.

Series and all pertinent series dimensions appear as shown in the sample below:

C Center to Center	Swing Diameter		Type	Center Yoke
1310 SERIES	E-3.469	D-1.062	USE KIT 5-153X, 5-785X, 5-810X, 5-786X	
2.688		3.875	2	2-26-477
2.688		3.875	2	2-26-497
2.688		3.875	2	2-26-507
				<i>Lube hole thru web</i>
2.750		3.875	1	2-26-177
3.000		3.875	1	2-26-257

HOW TO IDENTIFY A TUBE YOKE USING THIS CATALOG

To identify any tube yoke, three pieces of information are required:

1. Determine Series
2. Determine the size and wall thickness of the tube it fits
3. Determine the dimension from center of joint to weld point

Example: To find a 1330 Series with a 2.000 center to weld dimension, that fits a 2.750 OD tube with a .065 wall thickness, see the following example:

1. Find the 1330 Series heading
2. Find the 2.750 Tubing Diameter and .065 wall thickness (2.750 x .065 - S=Seamless, W=Welded)
3. Find the 2.000 Center to Weld dimension

Be sure to read any notes that are provided. Order Spicer Tube Yoke Part Number 5004393

Series and all pertinent series dimensions appear as shown in the sample below:

For Use With Tube Diameter & Wall	F	H	Used in Tube Yoke & Yoke Assembly	Tube Yoke Part Number
	Butt Diameter	C-line to Point of Weld		
1330 SERIES	E-3.875	D-1.062	USE KIT 5-213X, 5-790X, 5-812X, 5-791X	
2.000 X.120W	1.766	2.120		2-28-2777
2.500 X.083W	2.344	1.719		2-28-1707
2.500 X.083W	2.344	2.537		2-28-3347•
2.750 X.065S	2.625	2.000		5004393
2.750 X.065W	2.625	2.540		5002395
2.750 X.083S	2.594	2.030		2-28-3937



HOW TO IDENTIFY A BALL STUD TUBE YOKE USING THIS CATALOG

To identify any tube yoke, the following information is required:

1. Determine the Series
2. Determine the size and wall thickness of the tube it fits
3. Determine the dimension from center of joint to weld point
4. Determine the center of the joint to the end of the ball stud dimension
5. Determine the diameter of the ball stud
6. Determine the length of the ball stud
7. Determine the configuration and dimensions of the slinger or seal (if the part has a slinger or seal)

Example: To find a 1310 Series ball stud tube yoke with a 1.438 center to weld dimension, that fits a 2.000 OD tube with a .120 wall thickness and a .500 diameter ball stud, see the following example:

1. Find the 1310 Series heading
2. Find the 2.000 Tubing Diameter and .120 wall thickness (2.000 x .120W)
3. Find the 1.440 Center to Weld dimension
4. Find the 1.641 Center to End of Ball Stud dimension
5. Find the .594 Ball Stud Length
6. Refer to the slinger and seal illustrations on page 13 to determine which seal/slinger configuration you have.

If you have a seal, order Spicer ball stud tube yoke assembly part number 2-28-2867X

If you have a slinger, order Spicer ball stud tube yoke assembly part number 2-28-2947X

Be sure to read any notes that are provided.

Series and all pertinent series dimensions appear as shown in the sample below:

For Use With Tube Diameter & Wall Thickness	F	K	J	Ball Stud		Slinger/Seal	Ball Stud Tube Yoke Assembly Part Number
	Butt Diameter	Centerline to Point of Weld	Centerline to End of Ball Stud	L	H		
				Length	Diameter		
1310 SERIES	E-3.469	D-1.062		USE KIT 5-153X, 5-785X, 5-810X, 5-786X			
1.250 X.120 W	1.016	1.500	1.641	.594	.500	231864	2-28-2997X
1.750 X.095 W	1.562	1.440	1.641	.594	.500	2-86-418	2-28-2827X
1.750 X.095 W	1.562	1.440	1.641	.594	.500	231864	2-28-2937X
2.000 X.120 W	1.766	1.440	1.641	.594	.500	2-86-418	2-28-2867X
2.000 X.120 W	1.766	1.440	1.641	.594	.500	231864	2-28-2947X
2.500 X.065 W	2.375	1.440	1.641	.594	.500	2-86-418	2-28-3087X

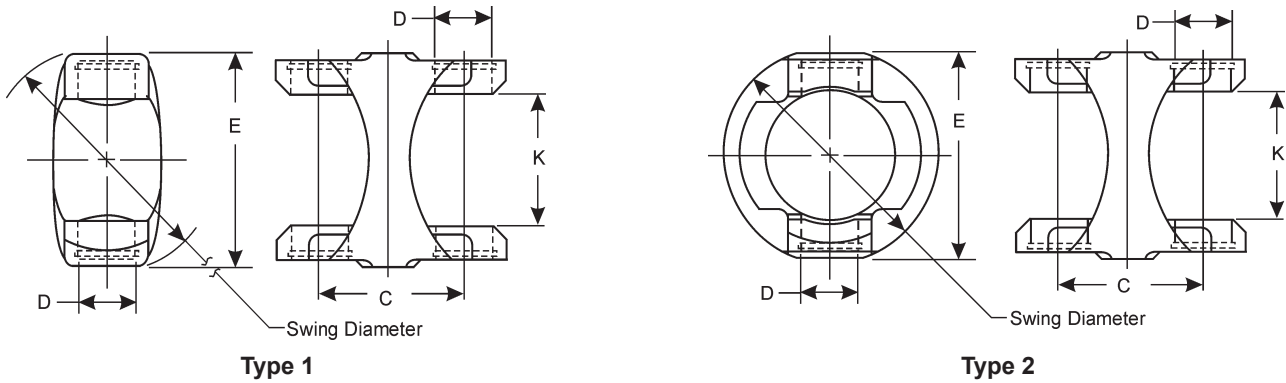
Footnotes for parts and assemblies that are discontinued, will be discontinued upon depletion of stock, or not sold separately, are indicated by a symbol next to the part number. Match the symbol to the appropriate status at the bottom of the page. All other footnotes are located immediately below the yoke dimensional data.

IMPORTANT NOTICE: The data listed herein is correct to the best of our knowledge and belief; having been compiled from reliable and official sources of information. However, WE CANNOT ASSUME ANY RESPONSIBILITY for possible error.



CENTER YOKES

Snap Ring Design



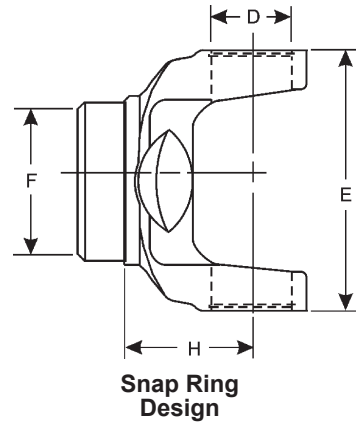
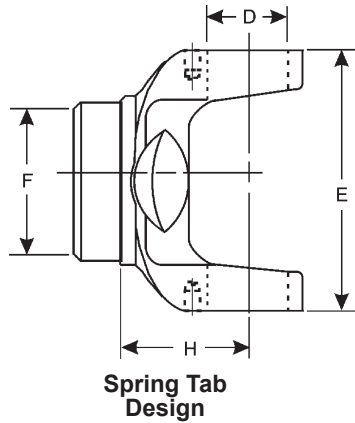
C Center to Center	Swing Diameter		Type	Center Yoke
1000 SERIES	K-1.500	D-.938		USE KIT 5-170X
2.125	2.500		2	10-26-47
1210 SERIES	E-2.688	D-1.062		USE KIT 5-443X
2.688	3.375		2	2-26-457
1310 SERIES	E-3.469	D-1.062		USE KIT 5-153X, 5-785X, 5-810X, 5-786X
2.688	3.875		2	2-26-477
2.688	3.875		2	2-26-497
2.688	3.875		2	2-26-507
2.750	3.875		1	2-26-177
3.000	3.875		1	2-26-257
1330 SERIES	E-3.875	D-1.062		USE KIT 5-213X, 5-790X, 5-812X, 5-791X
2.750	4.250		2	2-26-527
2.751	4.250		2	2-26-557
2.766	4.250		2	2-26-467
1350 SERIES	E-3.875	D-1.188		USE KIT 5-178X, 5-799X, 5-800X
2.120	—		1	3-26-577
2.750	4.250		1	3-26-317
2.875	4.682		2	3-26-757*
1410 SERIES	E-4.438	D-1.188		USE KIT 5-160X, 5-801X OR 5-802X
3.375	4.688		1	3-26-717
1480 SERIES	E-4.438	D-1.375		USE KIT 5-188X OR 5-803X
3.375	3.875		1	3-26-667
4.240	3.875		1	3-26-677
1550 SERIES	E-5.250	D-1.375		USE KIT 5-155X OR 5-808X
3.938	4.125		1	4-26-437*
1610 SERIES	E-5.312	D-1.875		USE KIT 5-279X OR 5-674X
4.576	—		1	5003513^

• Part is discontinued ■ Part is available until supply is exhausted ^ Not sold separately



TUBE YOKES

Spicer Life Series™

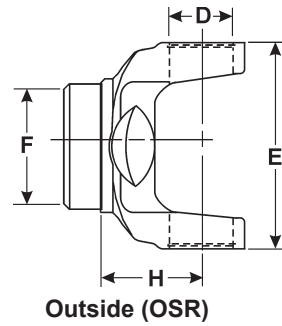
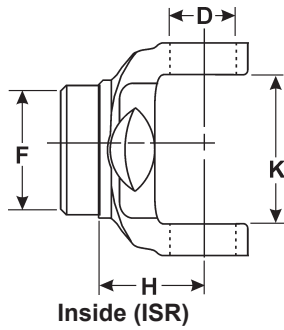


For Use With Tube Diameter & Wall	F		H	Used in Tube Yoke & Yoke Assembly	Tube Yoke Part Number
	Butt Diameter	D	C-line to Point of Weld		
SPL70 SERIES	E-5.250	D-1.375		USE KIT SPL70X, 5-809X, 5-808X	
3.500 X.095 W	3.321		2.875		70-28-27 <i>Half round yoke, not illustrated</i>
SPL90 SERIES	E-5.375	D-1.625		USE KIT SPL90X	
4.000 X.095 W	3.812		2.969		90-28-17 <i>90-28-17 was replaced by 100-28-17</i>
4.000 X.134 W	3.734		2.969		90-28-27
SPL100 SERIES	E-5.375	D-1.625		USE KIT SPL100-1X	
4.000 X.095 W	3.810		2.969		100-28-17
4.000 X.095 W	3.810		3.240		100-28-27 <i>Half round yoke, not illustrated</i>
SPL140 SERIES	E-5.028	D-1.936		USE KIT SPL140X	
4.331 X.197 W	3.957		3.504		140-28-17
4.560 X.165 W	4.245		3.504		140-28-27
SPL170 SERIES	E-6.024	D-2.166		USE KIT SPL170X	
4.724 X.197 W	4.350		4.724		170-28-27
—	4.350		4.724		170-28-37
4.961 X.118 W	4.750		3.700		<i>Tube yoke presses into splined sleeve</i> 170-28-17
SPL250 SERIES	E-5.984	D-2.362		USE KIT SPL250X	
5.197 X.236 W	4.750		4.094		250-28-17
—	4.425		4.882		250-28-37 <i>Tube yoke presses into splined sleeve</i>

• Part is discontinued ■ Part is available until supply is exhausted ▲ Not sold separately



Important: See Safety Information in General Information Section (J300P-GI)



For Use With Tube Diameter & Wall	F		Used in Tube Yoke & Yoke Assembly	Tube Yoke Part Number
	Butt Diameter	H C-line to Point of Weld		
1000 SERIES	K-1.500	D-.938		USE KIT 5-170X
1.250 X.095 W	1.070	2.560		10-26-37•
1.750 X.065 W	1.625	2.000		10-28-97
1.750 X.065 W	1.625	2.000	10-27-1	10-28-17
1100 SERIES	E-2.656	D-.938		USE KIT 5-101X OR 5-111X
1.250 X.095 W	1.062	1.687		1-26-297
2.000 X.065 W	1.875	1.500		1-28-107
1210 SERIES	E-2.688	D-1.062		USE KIT 5-443X
1.500 X.120 W	1.250	1.625		2-28-3027
2.000 X.083 W	1.844	1.500		2-28-2417
2.500 X.065 W	2.375	1.312		2-28-1947
1310 SERIES	E-3.469	D-1.062		USE KIT 5-153X, 5-785X, 5-810X, 5-786X
1.250 X.098 W	1.060	2.120		2-26-187
1.250 X.120 S	1.000	2.125		2-26-347
1.250 X.188 S	.875	2.281		2-26-147
1.750 X.065 W	1.625	1.688		2-28-447
1.750 X.095 W	1.571	1.688		2-28-3187
2.000 X.065 W	1.875	1.690		2-28-417
2.000 X.083 W	1.844	1.690	2-27-7	2-28-357
2.000 X.095 W	1.812	1.690		2-28-577
2.000 X.120 W	1.766	1.690		2-28-1757
2.250 X.095 W	2.062	2.000		2-28-547
2.500 X.065 W	2.375	1.844	2-27-4	2-28-277
2.500 X.083 W	2.344	1.844	2-27-9	2-28-367
2.750 X.065 W	2.625	1.688	2-27-5	2-28-307
2.750 X.083 W	2.594	1.688		2-28-1617
3.000 X.065 W	2.875	1.688	2-27-6	2-28-327
3.000 X.065 W	2.875	1.840		2-28-3207
3.000 X.083 W	2.844	1.688	2-27-24	2-28-437
3.250 X.065 W	3.125	1.688		2-28-557
3.500 X.065 W	3.375	1.688	2-27-10	2-28-397
3.500 X.083 W	3.344	1.688	2-27-12	2-28-427
4.000 X.083 W	3.844	1.500		2-28-477
4.000 X.083 W	3.844	1.910		2-28-3837
1330 SERIES	E-3.875	D-1.062		USE KIT 5-213X, 5-790X, 5-812X, 5-791X
2.000 X.120 W	1.766	2.120		2-28-2777
2.500 X.083 W	2.344	1.719		2-28-1707
2.500 X.083 W	2.344	2.537		2-28-3347•
2.750 X.065 S	2.625	2.000		5004393
2.750 X.065 W	2.625	2.540		5002395
2.750 X.083 S	2.594	2.030		2-28-3937
2.750 X.083 W	2.591	2.539		2-28-4017^

• Part is discontinued ■ Part is available until supply is exhausted ^ Not sold separately

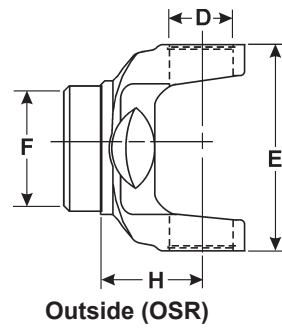
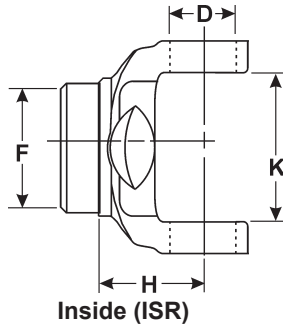


For Use With Tube Diameter & Wall	F		H	Used in Tube Yoke & Yoke Assembly	Tube Yoke Part Number
	Butt Diameter	C-line to Point of Weld			
1330 SERIES (Continued)	E-3.875	D-1.062		USE KIT 5-213X, 5-790X, 5-812X, 5-791X	
3.000 X.065 W	2.875		1.719		2-28-1177
3.000 X.083 W	2.844		1.719		2-28-1697
3.500 X.065 W	3.125		1.812		2-28-1977
3.500 X.065 W	3.375		2.413		5002389
3.500 X.083 W	3.344		1.812		2-28-1717
4.000 X.065 W	3.870		1.690		2-28-3787
1350 SERIES	E-3.875	D-1.188		USE KIT 5-178X, 5-799X, 5-800X	
2.000 X.120 W	1.766		2.000		3-26-117
2.000 X.120 W	1.766		2.125		3-28-777
2.500 X.083 W	2.344		1.938	3-27-1	3-28-47
2.750 X.065 W	2.625		2.031		3-28-1107
3.000 X.065 W	2.870		2.660		3-28-137
3.000 X.083 W	2.844		2.000	3-27-2	3-28-57
3.000 X.083 W	2.844		2.031		3-28-1157
3.000 X.095 W	2.812		2.000		3-28-157
3.000 X.134 W	2.734		1.970		3-28-1137
3.500 X.065 W	3.375		1.812	3-27-5	3-28-257
3.500 X.083 W	3.344		1.840		3-28-427
4.000 X.083 W	3.844		1.688		3-28-417
1410 SERIES	E-4.438	D-1.188		USE KIT 5-160X, 5-801X OR 5-802X	
2.500 X.095 W	2.312		2.000		3-28-327
2.500 X.156 S	2.216		2.000		3-26-437
2.750 X.083 W	2.594		1.625		3-28-987
3.000 X.083 W	2.844		1.625		3-28-447
3.000 X.083 W	2.844		2.125	3-27-3	3-28-97
3.000 X.095 W	2.812		2.125	3-27-6	3-28-267
3.000 X.134 W	2.742		1.624		3-28-997
3.000 X.250 W	2.500		1.625		3-28-1117•
3.500 X.065 W	3.375		2.125	3-27-8	3-28-367
3.500 X.083 W	3.344		2.125	3-27-4	3-28-557
3.500 X.095 W	3.321		2.125		3-28-857•
4.000 X.065 W	3.870		2.500		3-28-1267
4.000 X.083 W	3.844		1.875	3-27-16	3-28-457
4.000 X.095 W	3.812		1.875		3-28-387
4.095 X.180 W	3.743		2.030		3-28-1087•
1480 SERIES	E-4.438	D-1.375		USE KIT 5-188X OR 5-803X	
3.000 X.095 W	2.812		1.688		3-28-497
3.500 X.083 W	3.344		2.031	3-27-22	3-28-537
3.500 X.083 W	3.344		2.312		3-28-547
3.500 X.095 W	3.321		2.031		3-28-567
4.000 X.083 W	3.844		2.031	3-27-20	3-28-507
4.000 X.095 W	3.812		2.031		3-28-627
1550 SERIES	E-5.250	D-1.375		USE KIT 5-155X OR 5-808X	
3.500 X.095 W	3.321		1.844		4-28-257
3.500 X.095 W	3.321		2.188	4-27-18	4-28-307
3.500 X.095 W	3.321		2.688	4-27-16	4-28-417
3.500 X.095 W	3.321		3.125		4-28-427•
3.500 X.134 W	3.250		1.810		4-28-627•
3.500 X.134 W	3.250		2.188		4-28-487
3.500 X.156 W	3.188		2.188		4-28-657

• Part is discontinued ■ Part is available until supply is exhausted ▲ Not sold separately



Important: See Safety Information in General Information Section (J300P-GI)

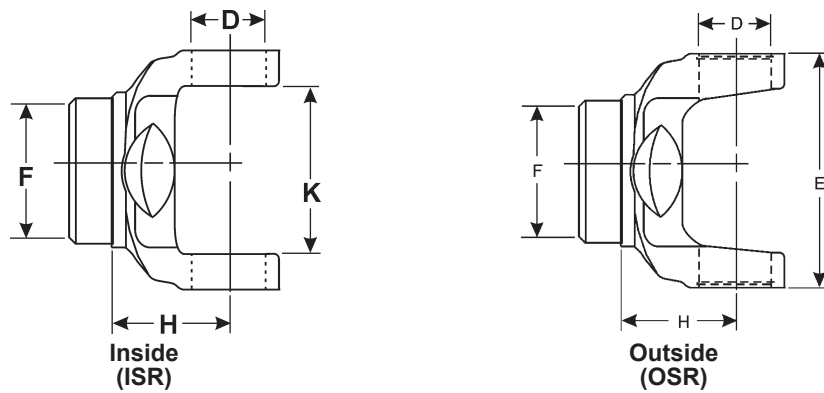


For Use With Tube Diameter & Wall	F	H	Used in Tube Yoke & Yoke Assembly	Tube Yoke Part Number
	Butt Diameter	C-line to Point of Weld		
1550 SERIES (Continued)	E-5.250	D-1.375	USE KIT 5-155X OR 5-808X	
4.000 X.083 W	3.844	2.188		4-28-277
4.000 X.095 W	3.812	2.188		4-28-297
1610 SERIES	E-5.312	D-1.875	USE KIT 5-279X OR 5-674X	
3.500 X.095 W	3.321	3.000	5-27-7	5-28-167
3.500 X.134 W	3.250	3.000	5-27-25	5-28-627
3.500 X.134 W	3.250	3.000		5-28-717•
3.500 X.134 W	3.250	3.810		5-28-887
				<i>High angle yoke</i>
3.500 X.156 W	3.188	3.000		5-28-957•
3.500 X.156 W	3.188	3.000	5-27-9	5-28-207
3.550 X.207 W	3.141	2.220		5-28-837•
3.550 X.207 W	3.141	2.220		5-28-977M•
				<i>Metric bolt holes; uses 5-585XM u-joint</i>
3.550 X.207 W	3.141	3.000		5-28-967•
4.000 X.134 W	3.734	3.000		5-28-327
1710 SERIES	E-6.094	D-1.938	USE KIT 5-280X OR 5-675X	
3.500 X.156 W	3.188	3.031	6-27-7	6-28-137
4.000 X.134 W	3.734	3.031	6-27-17	6-28-347
4.000 X.134 W	3.734	3.031		6-28-557M•
4.000 X.134 W	3.734	3.688		6-28-467
				<i>High angle yoke</i>
4.000 X.134 W	3.734	4.060		6-28-527
4.500 X.134 W	4.234	3.031		6-28-407
1760 SERIES	E-7.000	D-1.938	USE KIT 5-407X OR 5-677X	
4.095 X.180 W	3.734	3.031		6.3-28-17
1810 SERIES	E-7.547	D-1.938	USE KIT 5-281X OR 5-676X	
4.500 X.134 W	4.234	3.375	6.5-27-9	6.5-28-117
4.500 X.259 W	3.984	3.375		6.5-28-127
1880 SERIES	E-8.094	D-2.188	USE KIT 5-308X	
4.500 X.259 W	3.984	4.000		8-28-147
1950 SERIES	E-10.094	D-3.062	USE KIT 5-192X	
6.000 X.500 S	5.125	6.531		9-26-18X•
5C SERIES	WB STYLE P-4.530	S-1.688	KEYWAY-.561	USE KIT 5-345X
2.500 X.159 W	2.186	2.224		5C-28-27
				<i>.375-24 Threaded Holes</i>
6C SERIES	WB STYLE P=5.530	S=1.688	KEYWAY=.561	KITS:6CX 6C-1X 6C-2X 6C-3X
2.756 X.159 W	2.448	1.870		6C-28-27•
				<i>.375-24 Threaded Holes</i>

• Part is discontinued ■ Part is available until supply is exhausted ▲ Not sold separately



ALUMINUM TUBE YOKES



For Use With Tube Diameter & Wall	F	H	Used in Tube Yoke & Yoke Assembly	Tube Yoke Part Number
	Butt Diameter	C-line to Point of Weld		
1310 SERIES	E-3.469 D-1.062		USE KIT 5-153X, 5-785X, 5-810X, 5-786X	
2.750 X.120 S	2.531	1.375		2-28-2787
3.000 X.120 S	2.782	1.375		2-28-2427
3.250 X.083 S	3.104	1.969		2-28-3367•
4.000 X.083 S	3.853	2.130		2-28-3637
4.000 X.083 S	3.853	2.130		2-28-3697
1330 SERIES	E-3.875 D-1.062		USE KIT 5-213X, 5-790X, 5-812X, 5-791X	
3.500 X.120 S	3.272	1.837		2-28-2757
3.750 X.083 S	3.604	2.130		2-28-3717▪
4.000 X.083 S	3.853	2.125		2-28-3317
				<i>Use plug #232639 in vent</i>
4.000 X.083 S	3.853	2.130		2-28-3377
4.000 X.083 S	3.853	2.406		2-28-3327
4.160 X.086 S	3.998	2.130		2-28-3687•
4.160 X.086 S	3.998	2.406		2-28-3517
4.500 X.056 W	4.324	2.205		5001588
4.520 X.075 S	4.388	2.130		2-28-3507•
				<i>Use plug #232639 in vent</i>
4.540 X.083 S	4.388	4.000		5001484
5.000 X.065 S	4.888	1.820		2-28-3487
5.000 X.065 S	4.888	4.110		2-28-3527
1350 SERIES	E-3.875 D-1.188		USE KIT 5-178X, 5-799X, 5-800X	
3.500 X.120 S	3.270	1.837		3-28-977
3.500 X.165 S	3.188	1.837		3-28-1197•
4.000 X.083 S	3.853	2.130		3-28-1297
4.000 X.083 S	3.853	2.410		3-28-1307
4.160 X.086 S	3.998	2.130		3-28-1617
4.160 X.086 S	3.998	2.410		3-28-1437▪
4.520 X.075 S	4.388	2.130		3-28-1407•
5.000 X.065 S	4.888	1.840		5001701
5.000 X.065 S	4.888	1.844		3-28-1347
5.000 X.065 S	4.888	4.110		3-28-1447

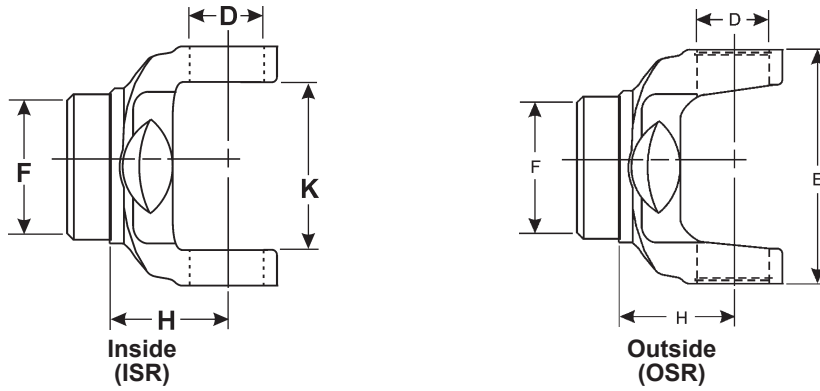
• Part is discontinued ■ Part is available until supply is exhausted ▲ Not sold separately



Important: See Safety Information in General Information Section (J300P-GI)

ALUMINUM TUBE YOKES

J300P-5



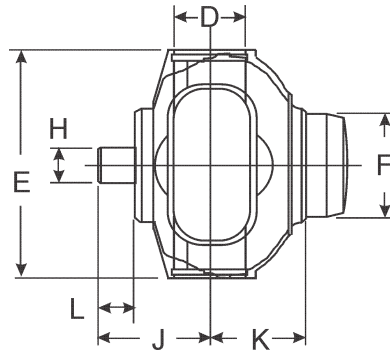
For Use With Tube Diameter & Wall	F	H	Used in Tube Yoke & Yoke Assembly	Tube Yoke Part Number
	Butt Diameter	C-line to Point of Weld		
1410 SERIES	E-4.438 D-1.188		USE KIT 5-160X, 5-801X OR 5-802X	
4.000 X.083 S	3.853	2.290		3-28-1607
4.000 X.083 W	3.844	2.130		5003535 <i>w/vent hole thru web</i>
4.000 X.083 W	3.844	2.130		5003536
4.000 X.103 S	3.812	2.125		3-28-1537•
4.157 X.087 S	3.985	2.290		3-28-1757
4.500 X.098 S	4.325	2.125		3-28-1387•
4.510 X.063 S	4.384	2.290		3-28-1547• <i>Use plug #232639 in vent</i>
4.510 X.063 S	4.384	2.290		3-28-1597•
5.000 X.065 S	4.888	2.281		3-28-1647
5.000 X.065 S	4.888	4.109		3-28-1657

• Part is discontinued ■ Part is available until supply is exhausted ▲ Not sold separately



BALL STUD TUBE YOKES

For Constant Velocity Applications



For Use With Tube Diameter & Wall Thickness	F	K	J	Ball Stud		Slinger/Seal	Ball Stud Tube Yoke Assembly Part Number
	Butt Diameter	Centerline to Point of Weld	Centerline to End of Ball Stud	L Length	H Diameter		
1210 SERIES	E-2.688	D-1.062					USE KIT 5-443X
2.500 X.065 W	2.375	1.310	1.641	.594	.500	231413	2-28-2407X
2.500 X.083 W	2.334	1.310	1.640	.594	.500	231413	2-28-3657X
1310 SERIES	E-3.469	D-1.062					USE KIT 5-153X, 5-785X, 5-810X, 5-786X
1.250 X.120 W	1.016	1.500	1.641	.594	.500	231864	2-28-2997X
1.750 X.095 W	1.562	1.440	1.641	.594	.500	2-86-418	2-28-2827X
1.750 X.095 W	1.562	1.440	1.641	.594	.500	231864	2-28-2937X
2.000 X.120 W	1.766	1.440	1.641	.594	.500	2-86-418	2-28-2867X
2.000 X.120 W	1.766	1.440	1.641	.594	.500	231864	2-28-2947X
2.500 X.065 W	2.375	1.440	1.641	.594	.500	2-86-418	2-28-3087X
2.500 X.083 W	2.344	1.440	1.641	.594	.500	2-86-418	2-28-2887X
2.500 X.083 W	2.344	1.440	1.641	.594	.500	231864	2-28-2957X
2.750 X.065 W	2.625	1.281	1.641	.594	.500	2-86-418	2-28-2747X
2.750 X.065 W	2.625	1.281	1.641	.594	.500	231864	2-28-2987X
2.750 X.083 W	2.584	1.440	1.641	.594	.500	231864	2-28-3817X*
3.000 X.065 W	2.875	1.440	1.641	.594	.500	2-86-418	2-28-2907X
3.000 X.065 W	2.875	1.440	1.641	.594	.500	231864	2-28-2967X
3.000 X.083 W	2.844	1.440	1.641	.594	.500	2-86-418	2-28-2927X
3.000 X.083 W	2.844	1.440	1.641	.594	.500	231864	2-28-2977X
1330 SERIES	E-3.875	D-1.062					USE KIT 5-213X, 5-790X, 5-812X, 5-791X
2.000 X.120 W	1.766	1.375	1.670	.590	.500	2-86-418	2-28-3257X
2.000 X.120 W	1.766	1.375	1.670	.590	.500	231259	2-28-2157X
2.500 X.083 W	2.344	1.375	1.670	.590	.500	2-86-418	2-28-3067X
2.500 X.083 W	2.344	1.375	1.670	.590	.500	231259	2-28-2137X
2.500 X.095 W	2.312	1.375	1.670	.590	.500	2-86-418	2-28-3277X*
3.000 X.065 W	2.875	1.375	1.750	.688	.615	230962	2-28-1277X
3.000 X.065 W	2.875	1.440	1.670	.422	.500	231259	2-28-2117X
3.000 X.083 W	2.844	1.375	1.670	.590	.500	2-86-418	2-28-3447X
3.000 X.083 W	2.844	1.440	1.670	.590	.500	231259	2-28-2187X
1350 SERIES	E-3.875	D-1.188					USE KIT 5-178X, 5-799X, 5-800X
2.750 X.083 W	2.611	1.440	1.732	.590	.500	2-86-418	3-28-1747X*
3.000 X.083 W	2.844	1.440	1.732	.590	.500	2-86-418	3-28-1327X
3.500 X.083 W	3.344	1.440	1.732	.590	.500	2-86-418	3-28-1527X

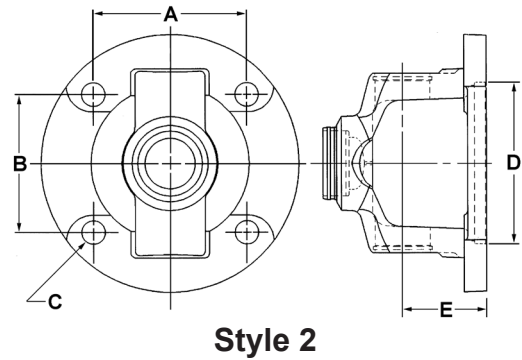
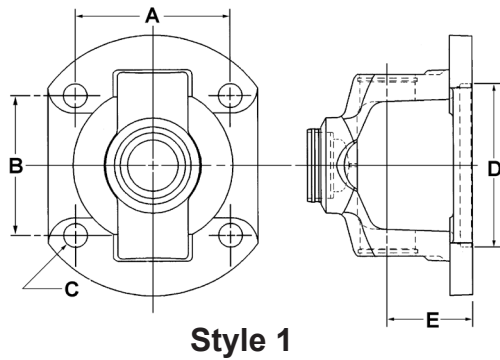
• Part is discontinued ■ Part is available until supply is exhausted ▲ Not sold separately



Important: See Safety Information in General Information Section (J300P-GI)

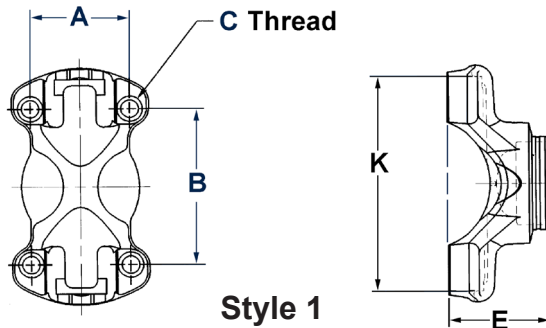
SOCKET YOKE ASSEMBLY DIMENSIONS

J300P-5



Flanged Socket Yoke Assembly	Series	Style	Bolt Circle Diameter	Bolt Holes Dimensions			Fits Diameter	C/L to End	Ball Stud Size
				A	B	C			
211489X●	1210	1	3.500	2.468	2.468	0.484	2.000	1.625	0.500
211543X■◇	1310	1	3.500	2.484	2.484	0.484	2.000	1.625	0.500
211229X■▶	1310	1	3.500	2.484	2.484	0.484	2.000	1.625	0.500
212130X■	1310	1*	3.750	2.712	2.712	0.401	2.750M	1.500	0.522
211198X●	1310	1	4.000	2.937	2.937	0.453	3.125	1.625	0.500
211452X●	1310	1	4.250	3.000	3.000	0.453	3.125	1.625	0.500
211545X■	1310	1	4.250	3.000	3.000	0.453	3.125	1.625	0.500
212040X■	1310	1	4.250	3.000	3.000	0.488	3.126	1.620	0.500
211631X■	1330	1	4.250	3.000	3.000	M12X1.75th'd	2.000	1.625	0.500
211889X●	1330	2	4.000	2.953	2.656	0.453	3.125	1.875	0.500
211606X	1330	2	4.000	2.953	2.656	0.453	3.125	1.812	0.500
211520X●	1330	2	4.000	2.953	2.656	0.453	3.125	1.875	0.625
211868X●	1330	2	4.250	3.000	3.000	0.453	3.125	1.812	0.500
211913X■	1330	1	4.250	3.000	3.000	0.462	3.125	1.625	0.500
212024X■	1350	1	4.250	3.000	3.000	M12X1.75th'd	2.000	1.625	0.500
212025X■	1350	1	4.250	3.000	3.000	M12X1.75th'd	2.680	1.625	0.500

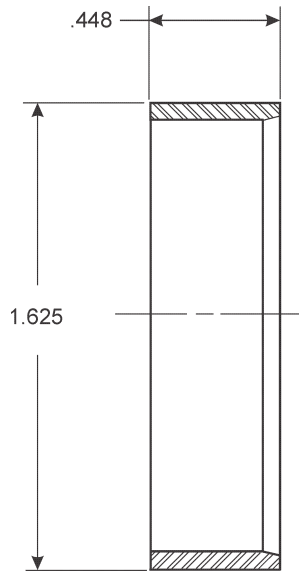
*Male Pilot



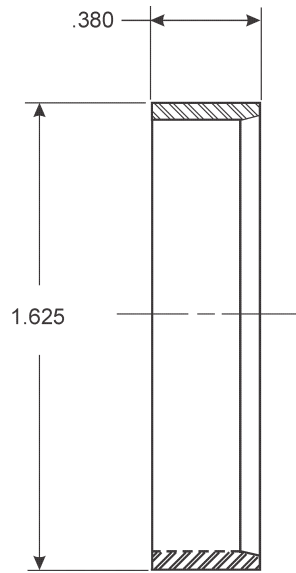
Flanged Socket Yoke Assembly	Series	Style	Bolt Circle Diameter	Bolt Holes Dimensions			C/L to End	Ball Stud Size
				A	B	C		
211342X	1210	3	2.437	1.500	2.343	.250-28th'd	1.531	0.500
211519X	1210	—	2.437	1.500	2.343	.250-28th'd	1.640	has .500 stud
211355X	1310	3	3.218	1.500	2.343	.312-24th'd	1.531	0.500
211544X■	1310	3	3.218	1.500	2.343	.312-24th'd	1.656	0.500
211179X●	1330	3	3.625	1.500	2.875	.312-24th'd	1.562	0.500
210841X	1330	3	3.625	1.500	2.875	.312-24th'd	1.562	0.625
211996X■◇	1330	3	3.625	1.500	2.875	.312-24th'd	1.690	0.500
212019X■	1350	3	3.625	1.625	2.750	.312-24th'd	1.757	0.500

- Flush Zerk (#230977)
- ▶ Socket OD 1.394
- Non-Greasable
- ◇ Socket OD 1.625

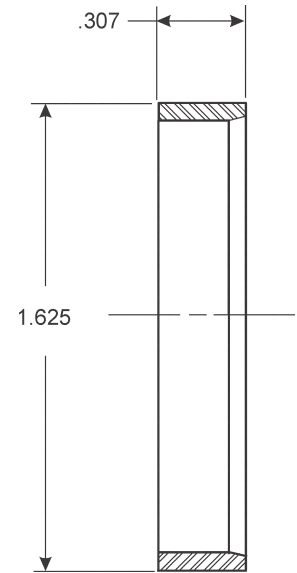




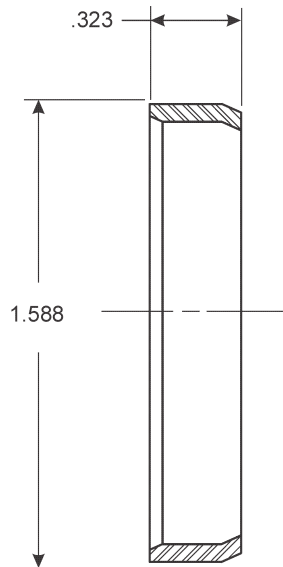
230962



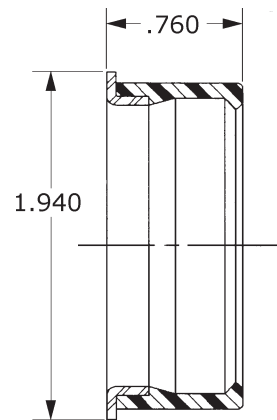
231259



231413



231864



**Seal
2-86-418**



1-26-297	6	2-28-3187	6	3-26-667	4
1-28-107	6	2-28-3207	6	3-26-677	4
2-26-147	6	2-28-3317	9	3-26-717	4
2-26-177	4	2-28-3327	9	3-26-757	4
2-26-187	6	2-28-3347	6	3-27-1	7
2-26-257	4	2-28-3367	9	3-27-2	7
2-26-347	6	2-28-3377	9	3-27-3	7
2-26-457	4	2-28-3487	9	3-27-4	7
2-26-467	4	2-28-3507	9	3-27-5	7
2-26-477	4	2-28-3517	9	3-27-6	7
2-26-497	4	2-28-3527	9	3-27-8	7
2-26-507	4	2-28-3637	9	3-27-16	7
2-26-527	4	2-28-3687	9	3-27-20	7
2-26-557	4	2-28-3697	9	3-27-22	7
2-27-4	6	2-28-3717	9	3-28-47	7
2-27-5	6	2-28-3787	7	3-28-57	7
2-27-6	6	2-28-3837	6	3-28-97	7
2-27-7	6	2-28-3937	6	3-28-137	7
2-27-9	6	2-28-4017	6	3-28-157	7
2-27-10	6	2-28-1277X	11	3-28-257	7
2-27-12	6	2-28-2117X	11	3-28-267	7
2-27-24	6	2-28-2137X	11	3-28-327	7
2-28-277	6	2-28-2157X	11	3-28-367	7
2-28-307	6	2-28-2187X	11	3-28-387	7
2-28-327	6	2-28-2407X	11	3-28-417	7
2-28-357	6	2-28-2747X	11	3-28-427	7
2-28-367	6	2-28-2827X	11	3-28-447	7
2-28-397	6	2-28-2867X	11	3-28-457	7
2-28-417	6	2-28-2887X	11	3-28-497	7
2-28-427	6	2-28-2907X	11	3-28-507	7
2-28-437	6	2-28-2927X	11	3-28-537	7
2-28-447	6	2-28-2937X	11	3-28-547	7
2-28-477	6	2-28-2947X	11	3-28-557	7
2-28-547	6	2-28-2957X	11	3-28-567	7
2-28-557	6	2-28-2967X	11	3-28-627	7
2-28-577	6	2-28-2977X	11	3-28-777	7
2-28-1177	7	2-28-2987X	11	3-28-857	7
2-28-1617	6	2-28-2997X	11	3-28-977	9
2-28-1697	7	2-28-3067X	11	3-28-987	7
2-28-1707	6	2-28-3087X	11	3-28-997	7
2-28-1717	7	2-28-3257X	11	3-28-1087	7
2-28-1757	6	2-28-3277X	11	3-28-1107	7
2-28-1947	6	2-28-3447X	11	3-28-1117	7
2-28-1977	7	2-28-3657X	11	3-28-1137	7
2-28-2417	6	2-28-3817X	11	3-28-1157	7
2-28-2427	9	2-86-418	11	3-28-1197	9
2-28-2757	9	3-26-117	7	3-28-1267	7
2-28-2777	6	3-26-317	4	3-28-1297	9
2-28-2787	9	3-26-437	7	3-28-1307	9
2-28-3027	6	3-26-577	4	3-28-1347	9

• Part is discontinued ■ Part is available until supply is exhausted ▲ Not sold separately



3-28-1387	10	6.5-28-117	8	211889X.....	12
3-28-1407	9	6.5-28-127	8	211913X.....	12
3-28-1437	9	8-28-147	8	211996X.....	12
3-28-1447	9	9-26-18X	8	212019X.....	12
3-28-1537	10	10-26-37	6	212024X.....	12
3-28-1547	10	10-26-47	4	212025X.....	12
3-28-1597	10	10-27-1	6	212040X.....	12
3-28-1607	10	10-28-17	6	212130X.....	12
3-28-1617	9	10-28-97	6	5C-28-27.....	8
3-28-1647	10	70-28-27	5	6C-28-27	8
3-28-1657	10	90-28-17	5		
3-28-1757	10	90-28-27	5		
3-28-1327X.....	11	100-28-17	5		
3-28-1527X.....	11	100-28-27	5		
3-28-1747X.....	11	140-28-17	5		
4-26-437	4	140-28-27	5		
4-27-16	7	170-28-17	5		
4-27-18	7	170-28-27	5		
4-28-257	7	170-28-37	5		
4-28-277	8	250-28-17	5		
4-28-297	8	250-28-37	5		
4-28-307	7	230962.....	11		
4-28-417	7	231259.....	11		
4-28-427	7	231413.....	11		
4-28-487	7	231864.....	11		
4-28-627	7	5001484	9		
4-28-657	7	5001588	9		
5-27-7	8	5001701	9		
5-27-9	8	5002389	7		
5-27-25	8	5002395	6		
5-28-167	8	5003513.....	4		
5-28-207	8	5003535.....	10		
5-28-327	8	5003536.....	10		
5-28-627	8	5004393	6		
5-28-717	8	210841X.....	12		
5-28-837	8	211179X.....	12		
5-28-887	8	211198X.....	12		
5-28-957	8	211229X.....	12		
5-28-967	8	211342X.....	12		
5-28-977M	8	211355X.....	12		
6-27-7	8	211452X.....	12		
6-27-17	8	211489X.....	12		
6-28-137	8	211519X.....	12		
6-28-347	8	211520X.....	12		
6-28-407	8	211543X.....	12		
6-28-467	8	211544X.....	12		
6-28-527	8	211545X.....	12		
6-28-557M	8	211606X.....	12		
6.3-28-17	8	211631X.....	12		
6.5-27-9	8	211868X.....	12		

• Part is discontinued ■ Part is available until supply is exhausted ▲ Not sold separately



Important: See Safety Information in General Information Section (J300P-GI)



SPICER[®]

Drivetrain Products

Dana Holding Corporation
Spicer Service Parts
PO Box 321
Toledo, Ohio 43697-0321
1-800-SAY-DANA (729-3262)

www.spicerparts.com

Dana Holding Corporation
Spicer Service Parts - Canada
5095 South Service Road
Beamsville, Ontario LOR 1B0

Dana Holding Corporation
Spicer Service Parts - International
(419) 861-6325

J300P-5
6/08
Printed in U.S.A

© Dana Limited 2008.
All rights reserved.