

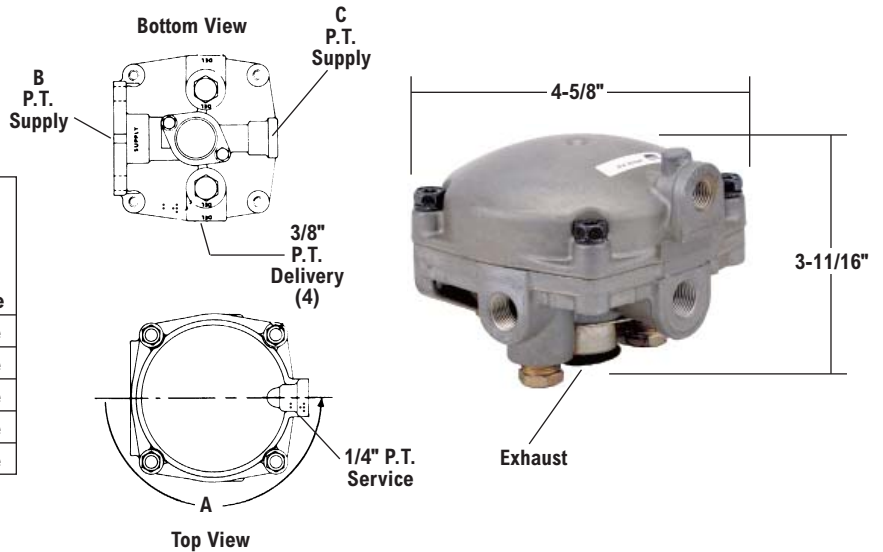
R-6™ Relay Valve

- Available Remanufactured Exchange
- Maintenance Kit 280856N

V.M.R.S. 13-010-009

Reman. Exch. Pc. No.	Service New Relay Valve Pc. No.	A Degrees Service Port Angle	B P.T.	C P.T.	Mtg. Flange
—	279180N	180	—	3/8"	2 Hole
279952RX	279952N	180	3/4"	3/8"	2 Hole
280375RX	280375	90	—	1/2"	2 Hole
279952RX	*280651N	180	3/4"	3/8"	2 Hole
283940RX	283940N	270	3/8"	3/8"	4 Hole

*Pipe Plugs & Gasket Attached
Crack Pressure 2 P.S.I.

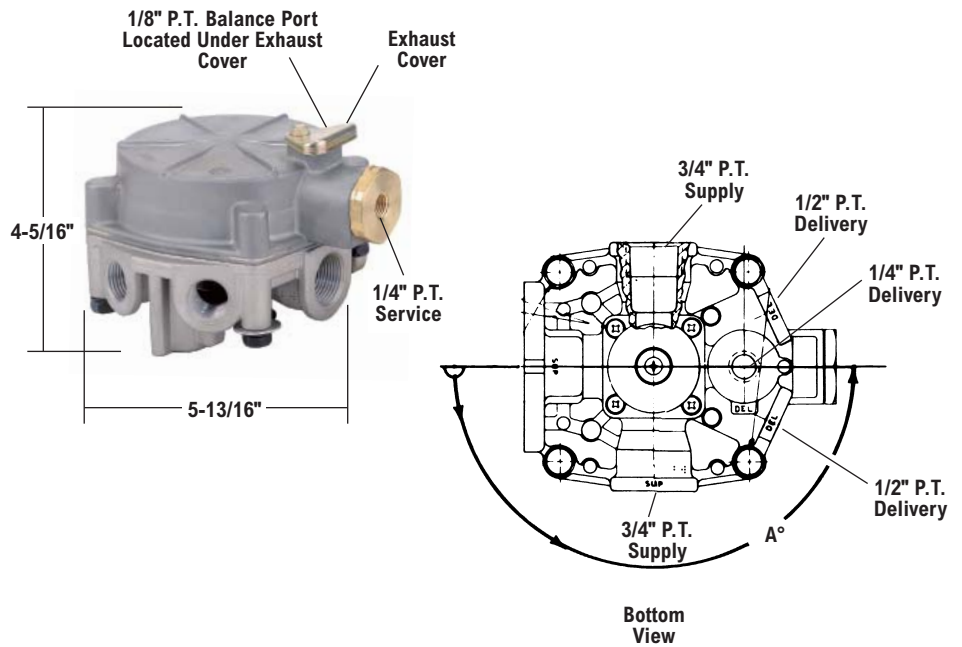


R-8™ Relay Valve

- Available Remanufactured Exchange
- Maintenance Kit 287370N

V.M.R.S. 13-010-009

Reman. Exch. Pc. No.	Service New Pc. No.	A Service Port Location (Degree)	Comments
286370RX	286370N	90	
286371RX	286371N	90	No Exh. Cover
287260RX	287260N	180	No Exh. Cover
288369RX	288369N	180	
288781RX	288781	180	Waterproof

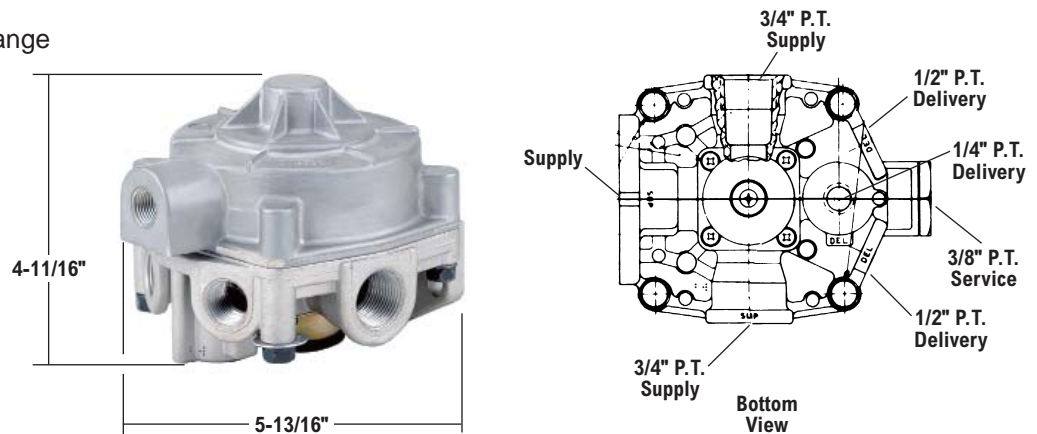


R-8P™ Relay Valve

- Available Remanufactured Exchange
- Maintenance Kit 103799

V.M.R.S. 13-010-009

Reman. Exch. Pc. No.	Service New Pc. No.	Comments
287114RX	287114N	—



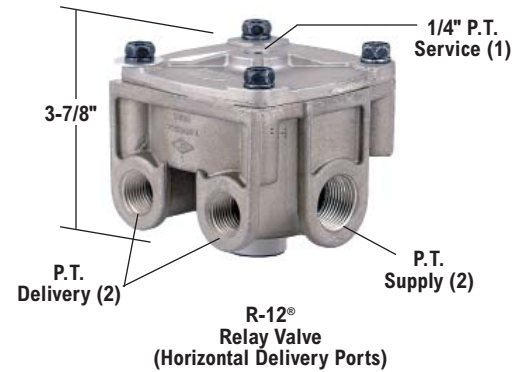
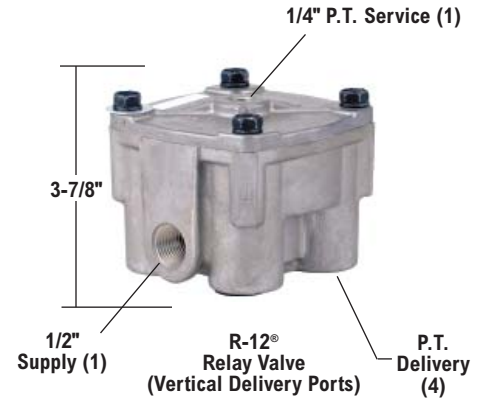
R-12® Relay Valves

- Available Remanufactured Exchange
- All Universal R-12® and R-14® Relay Valves Include Installation Instructions and a Universal Mounting Bracket as indicated.
- Field maintenance kit for R-12® and R-14® Relay Valves is Pc. No. 102802N.

V.M.R.S. 13-010-009

Vertical Delivery Ports

Reman. Exch. Pc. No.	Service New Pc. No.	Crack Pressure (P.S.I.)	Delivery Port Size (P.T.)	Maint. Kit	Mounting Bracket
5003365X	065104	4	3/8"	102802N	296010N
-	065181	5.5	1/2"	102802N	296010N
102626RX	102626N	4	1/2"	102802N	296010N
103912RX	103912	7.5	1/2"	102802N	296010N
104561RX	-	5.5	3/8"	102802N	296010N
-	*800365	4	3/8"	102802N	296010N



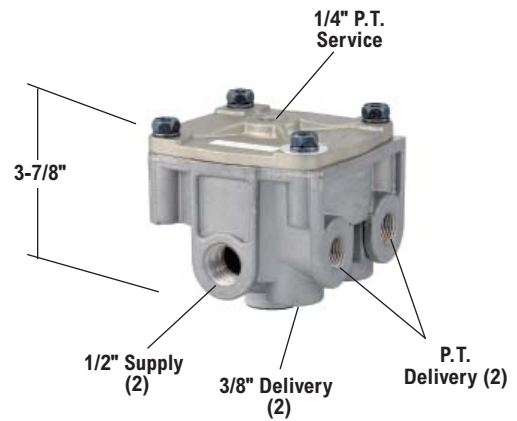
Horizontal Delivery Ports

Reman. Exch. Pc. No.	Service New Pc. No.	Crack Pressure (P.S.I.)	Supply Port Size (P.T.)	Maint. Kit	Mounting Bracket	Delivery (P.T.)
-	065125	5.5	1/2"	102802N	296010N	1/2"
-	065309	4	1/2"	102802N	296010N	1/2"
-	065546	4	1/2"	109523	296010N	1/2"
103009RX	103009N	4	3/4"	102802N	296010N	1/2"
104165RX	-	7.5	3/4"	102802N	296010N	1/2"
-	800238	4	3/4"	102802N	N/A	1/2"
-	800305	4	1/2"	5002831	296010N	1/2"
-	*800366	5.5	1/2"	5004029	296010N	3/8"
-	*800365	4	1/2"	5004029	296010N	1/2"

*Self draining piston

R-12® Relay Valve Vert. (2) & Horizontal Delivery Ports

Service New Pc. No.	Crack Pressure (P.S.I.)	Delivery Port Size (P.T.)	Maint. Kit	Mounting Bracket
065206	5.5	3/8"	102802N	296010N
065303	4	3/8"	102802N	296010N
800095	4	3/8"	102802N	102846N**
800441	5.5	3/8"	102802N	102846N**
800483	5.5	1/2"	102802N	N/A
800484	5.5	1/2"	102802N	296010N
800485	4	1/2"	102802N	N/A
800486	4	1/2"	102802N	296010N
800508	5.5	1/2"	102802N	N/A



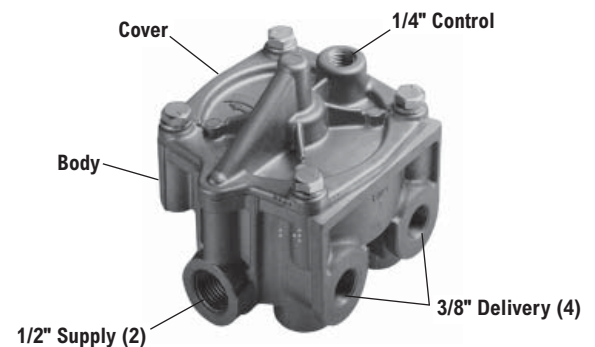
**Mounting bracket 102846N includes two 5/16" mounting studs.

R-12P™ Pilot Relay Valve

- Available Remanufactured Exchange
- Universal Mounting Bracket 296010 included
- Field Maintenance Kit 109265

V.M.R.S. 13-010-009

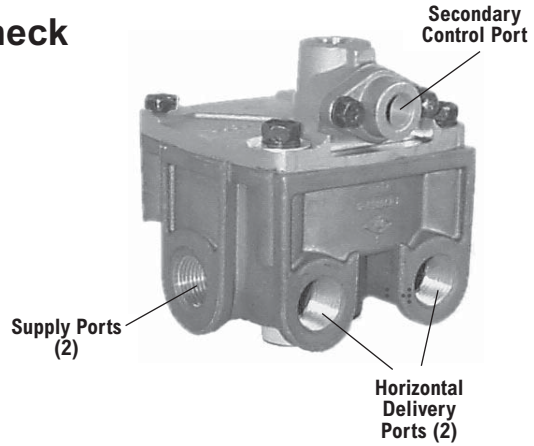
Service New Pc. No.	Reman. Exch. Pc. No.
065476	109264X



R-12DC® Relay Valve with Biased Double Check

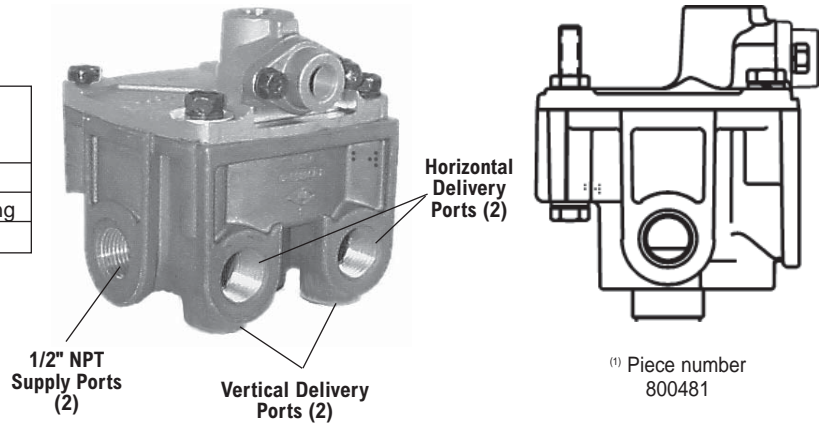
R-12DC® Relay Valve with 2 Horizontal Delivery Ports

Service New Pc. No.	Crack Pressure PSI	Supply Ports NPT	Delivery Ports NPT	Bracket Pc. No. (Included)
800470	4	1/2"	1/2"	296010N
800471	5.5	1/2"	1/2"	294649N
800627	4	1/2"	1/2"	294649N



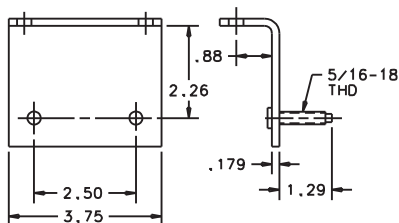
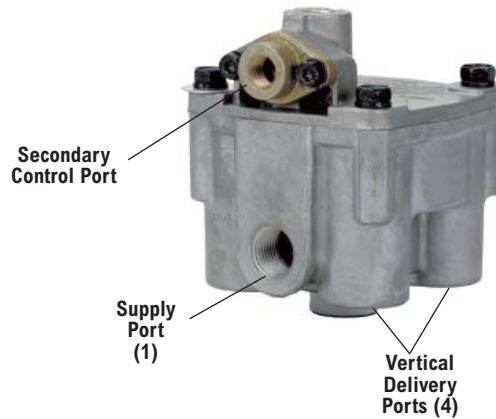
R-12DC® Relay Valve with 2 Horizontal and 2 Vertical Delivery Ports

Service New Pc. No.	Crack Pressure PSI	Horizontal Delivery Ports NPT	Vertical Delivery Ports NPT	Bracket Pc. No. (Included)
800481	4	1/2"	3/8"	None ⁽¹⁾
801305	4	1/2"	3/8"	3/8" Tube Fitting
801381	5.5	1/2"	3/8"	102846N

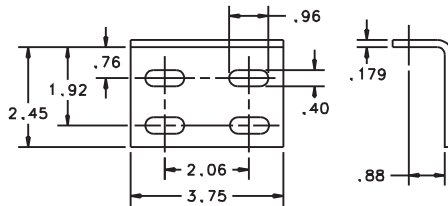


R-12DC® Relay Valve with 4 Vertical Delivery Ports

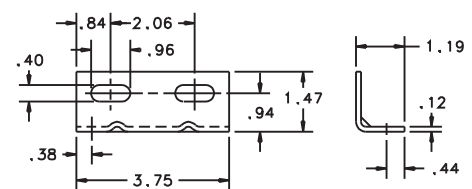
Service New Pc. No.	Crack Pressure PSI	Vertical Delivery Ports (NPT)	Bracket Pc. No. (Included)
800477	4	1/2"	102846N
800479	4	1/2"	294649N



Mounting Bracket
Pc. No. 102846N



Mounting Bracket
Pc. No. 296010N

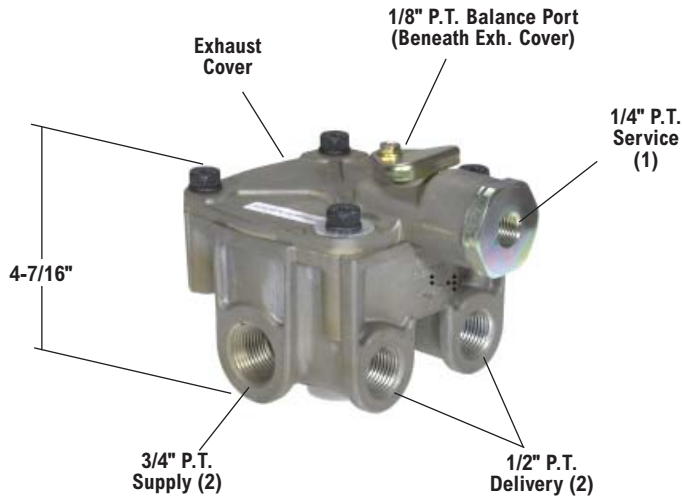


Mounting Bracket
Pc. No. 294649N

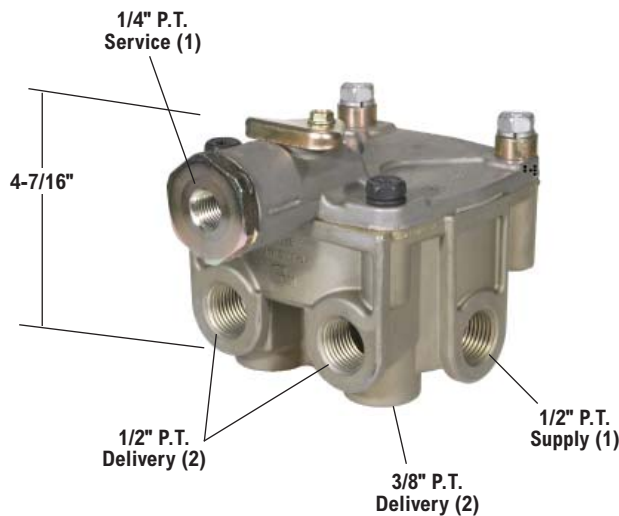
R-14® Relay Valve

- Available Remanufactured Exchange
- Field Maintenance Kit for R-12® & R-14® Relay Valves is Pc. No. 102802N
- All Universal R-12® and R-14® Relay Valves Include Installation Instructions and a Universal Mounting Bracket Pc. No. 296010N.

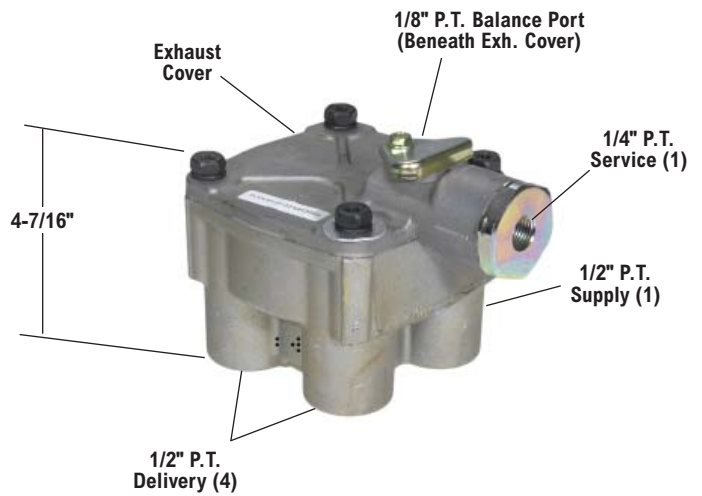
V.M.R.S. 13-010-009



R-14® Relay Valve
(Horizontal Delivery Ports)



R-14® Relay Valve
(Horizontal & Vertical
Delivery Ports)



R-14® Relay Valve
(Vertical Delivery Ports)

Reman. Exch. Pc. No.	Service New Pc. No.	Crack Press. PSI	Supply
Horizontal Delivery Ports			
103010RX	103010N	4	3/4"
103294RX	103294N	5.5	3/4"
103835X	103835	7.5	3/4"
-	104345	5	3/4"
104574RX	104574	4	1/2"
Vertical Delivery Ports			
103028RX	103028N	4	1/2"
-	103833	7.5	1/2"
-	106313	5.5	1/2"
Vertical & Horizontal Delivery Ports*			
-	065430	4	1/2"

*Delivery ports (2) 3/8" & (2) 1/2"