

Haldex (New)

One-Way Check Valves



Features:

- Permits air flow in one direction only.
- Used wherever pressures must be isolated and not allowed to flow back.
- KN23020 equipped with Schrader valve; used to air system.
- All models are male-female thread except KN23080.

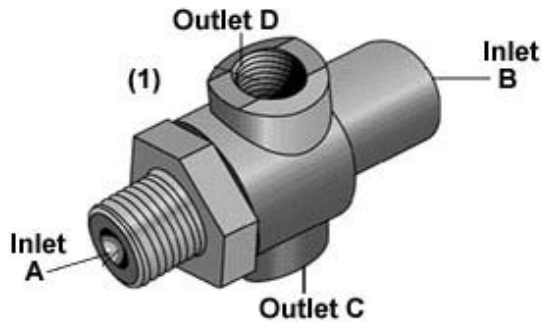
Notes:

- 1) Use heavy duty models on compressor discharge.

SKU#	Product Description	Inlet/Outlet	Length	Repair Kit	Notes	OEM Part Number	Style
KN23000	One-Way Check Valve	1/2"	2.47"	RN10CH	Heavy Duty	N13526AJ	1
KN23010	One-Way Check Valve	3/8"	2.47"	RN10CH	Heavy Duty	N13526AG	1
KN23020	One-Way Check Valve	1/2"	2.59"	RN10BY	Standard with Schrader	N13526Z	2
KN23040	One-Way Check Valve	3/4"	2.31"	RN10Y	Standard	N13526J	1
KN23060	One-Way Check Valve	1/2"	1.85"	RN10HZ	Brass - 90° style	N13526BL	3
KN23080	One-Way Check Valve	1/4"	1.85"	RN10Y	Standard - 2 female	N13526D	4

Haldex (New)

Two-Way Check Valve – Shuttle Type



Features:

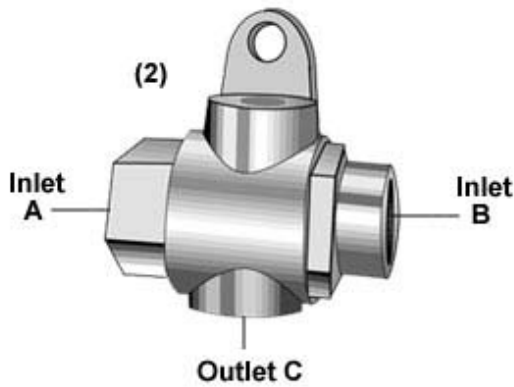
- Only mount horizontally as pictured.
- Interchangeable with most competitive models.
- Use when two valves must independently control or supply one system.

Specifications:

Approximate Weight .6 lbs.

Notes:

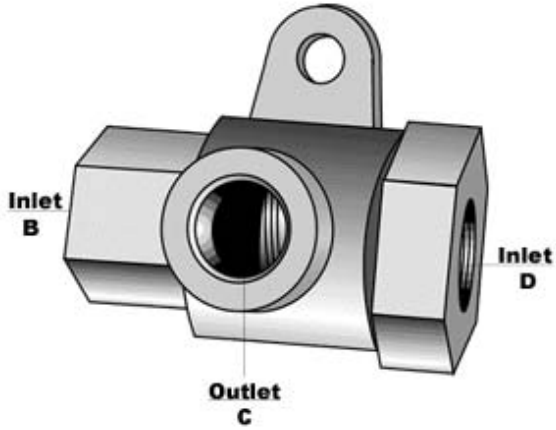
- 1) Repair Kit use part number **RN11W**.



SKU#	Product Description	Inlet A	Inlet B	Outlet C	Outlet D	OEM Part Number	Picture
KN25061	Shuttle Type Two-Way Check Valve	3/8" NPT (female)	3/8" NPT (female)	3/8" NPT (female)	-	N20966BA	2
KN25080	Shuttle Type Two-Way Check Valve	3/8" NPT (male)	3/8" NPT (female)	3/8" NPT (female)	1/4" NPT (female)	N20966A	1
KN25090	Shuttle Type Two-Way Check Valve	3/8" NPT (female)	3/8" NPT (female)	3/8" NPT (female)	1/4" NPT (female)	N20966B	1
KN25100	Shuttle Type Two-Way Check Valve	1/2" NPT (male)	3/8" NPT (female)	3/8" NPT (female)	3/8" NPT (female)	N20966G	1
KN25110	Shuttle Type Two-Way Check Valve	3/8" NPT (female)	3/8" NPT (female)	3/8" NPT (female)	3/8" NPT (female)	N20966F	1
KN25120	Shuttle Type Two-Way Check Valve	1/4" NPT (female)	1/4" NPT (female)	1/4" NPT (female)	1/4" NPT (female)	N20966M	1

Haldex (New)

Two-Way Check Valve – Diaphragm Type



Features:

- Not position sensitive, may be mounted in any position.
- Can be used in place of ball or shuttle types.
- Use when two valves must independently control or supply one system.

Specifications:

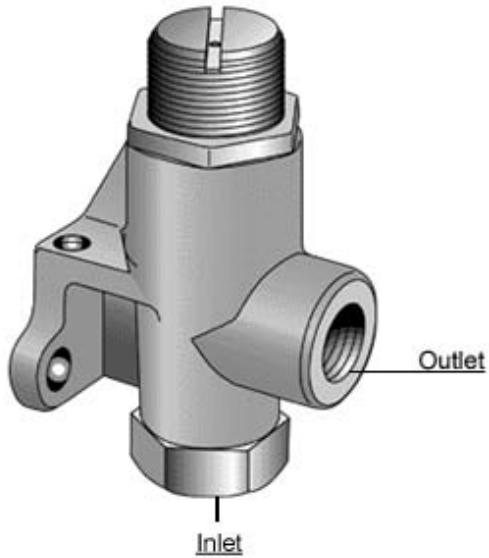
Approximate Weight .3 lbs.

Notes:

- 1) Repair Kit use part number **RN11V**.

SKU#	Product Description	Inlet B	Inlet D	Outlet C	OEM Part Number
KN25060	Diaphragm Type Two-Way Check Valve	3/8" NPT (female)	3/8" NPT (female)	3/8" NPT (female)	N20954A

Auxiliary – Adjustable



Features:

- For auxiliary systems only. Not used in the brake system.
- Used in air systems where reduced pressure levels are required.
- Pressure settings are based on 100 PSI supply.
- Designed for constant supply, not on-off applications.

Specifications:

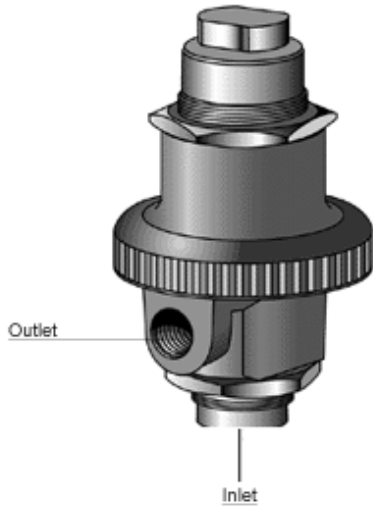
Approximate Weight .31 lbs.

Notes:

- 1) Repair Kit use part number RN17Y.

SKU#	Product Description	Inlet	Outlet	Factory Pressure Setting	OEM Part Number
KN31040	Adjustable Air Regulating Valve for Auxiliary Systems	1/4" NPT	1/4" NPT	20 PSI	N15817A
KN31050	Adjustable Air Regulating Valve for Auxiliary Systems	1/4" NPT	1/4" NPT	45 PSI	N15817F
KN31060	Adjustable Air Regulating Valve for Auxiliary Systems	1/4" NPT	1/4" NPT	65 PSI	N15817K

High Pressure – Adjustable



Features:

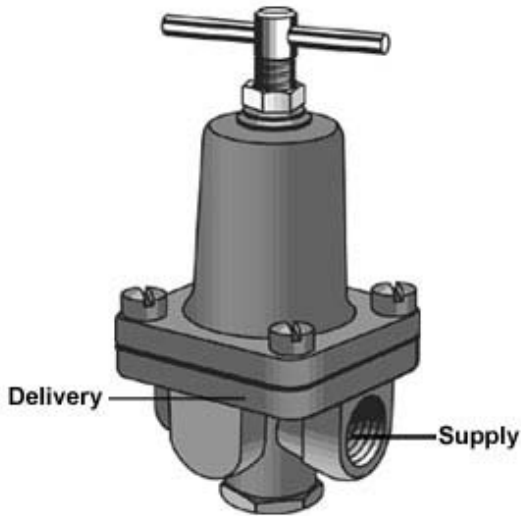
- Factory PSI pre-set at charted levels.
- Used wherever a reduced pressure is required.
- Can be used with air assisted transmissions such as Fuller RoadRanger or Spicer.

Specifications:

Approximate Weight 1.25 lbs.

SKU#	Product Description	Factory Pressure Setting	Inlet	Outlet	OEM Part Number
KN31041	Adjustable Air Regulating Valve with Factory Pre-Set PSI	50 ± 5 PSI	3/8" NPT	1/4" NPT	N13680BZ
KN31080	Adjustable Air Regulating Valve with Factory Pre-Set PSI	70 ± 5 PSI	3/8" NPT	1/4" NPT	N13680BE
KN31081	Adjustable Air Regulating Valve with Factory Pre-Set PSI	100 ± 5 PSI	3/8" NPT	1/4" NPT	N13680BD
KN31082	Adjustable Air Regulating Valve with Factory Pre-Set PSI	85 ± 5 PSI	3/8" NPT	1/4" NPT	N13680BK
N13680BD	Adjustable Air Regulating Valve with Factory Pre-Set PSI	100 ± 5 PSI	3/8" NPT	1/4" NPT	N13680BD
N13680BZ	Adjustable Air Regulating Valve with Factory Pre-Set PSI	50 ± 5 PSI	3/8" NPT	1/4" NPT	N13680BZ

Manual – Adjustable



Features:

- May be used to pre-set pressure levels on accessory systems.
- A non-exhaust type regulator.
- Adjusts from 10 to 125 PSI output.

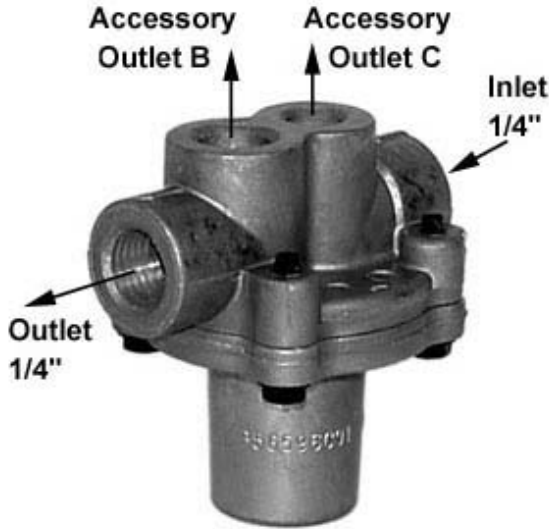
Specifications:

Approximate Weight 1 lb.

SKU#	Product Description	Delivery	Supply	OEM Part Number
KN31070	Adjustable Air Regulating Valve	3/8" NPT	3/8" NPT	N10044K

Haldex/Midland (New/Remanufactured)

Pressure Protection Valve



Features:

- Used to protect the air brake system from accessory failure.
- Some models have accessory ports in addition to the 1/4" FPT inlet and outlet ports.

Specifications:

Approximate Weight .70 lbs.

Notes:

- 1) Optional Filter use part number **KN31025**.

SKU#	Product Description	Open Operating PSI	Close Operating PSI	Inlet Port	Outlet Port	Accessory Port B	Accessory Port C	Notes	OEM Part Number
KN31000	Pressure Protection Valve	65 ± 8	56 ± 8	1/4" NPT	1/4" NPT	1/4"	1/8"	-	N15759DC
KN31001	Pressure Protection Valve	65 ± 8	56 ± 8	1/4" NPT	1/4" NPT	None	None	-	N15759DB
KN31002	Pressure Protection Valve	80 ± 8	70 ± 8	1/4" NPT	1/4" NPT	1/4"	1/8"	-	N15759DA
KN31003	Pressure Protection Valve	80 ± 8	70 ± 8	1/4" NPT	1/4" NPT	None	None	Includes KN31025 Filter	N15759DK
KN31004	Pressure Protection Valve	95 ± 9	83 ± 9	1/4" NPT	1/4" NPT	1/4" NPT	1/8" NPT	-	N15759DN
KN31010	Pressure Protection Valve	95 ± 9	83 ± 9	1/4" NPT	1/4" NPT	None	None	-	N15759DD
KN31011	Pressure Protection Valve	70 ± 8	60 ± 8	1/4" NPT	1/4" NPT	None	None	-	N15759DG

Haldex/Midland (New/Remanufactured)

Pressure Protection Valves with One-Way Check



Features:

- Ideal for use in protecting the air brake system from accessory failure.
- Also used with non-charging emergency relay valve.
- Available in two pressure settings.

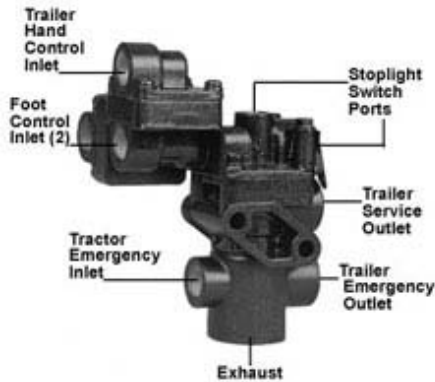
Specifications:

Approximate Weight .31 lbs.

SKU#	Product Description	Opening Pressure	Outlet	Inlet	Repair Kit	OEM Part Number
KN31170	Pressure Protection Valve with One-Way Check	50 PSI	1/2" NPT (male)	3/8" NPT (female)	RN10HY	N15902A
KN31171	Pressure Protection Valve with One-Way Check	75 PSI	1/2" NPT (male)	3/8" NPT (female)	RN10HW	N15902B
KN31175	Pressure Protection Valve with One-Way Check	95 PSI	1/2" NPT (male)	3/8" NPT (female)	RN10KC	N15902F

Haldex/Midland (New/Remanufactured)

Two-Line Manifold Style



Features:

- Can replace up to four valves on competitive systems.
- Available with Push-To-Connect (PTC) fittings for nylon tubes.

Specifications:

Approximate Weight 1.5 lbs.

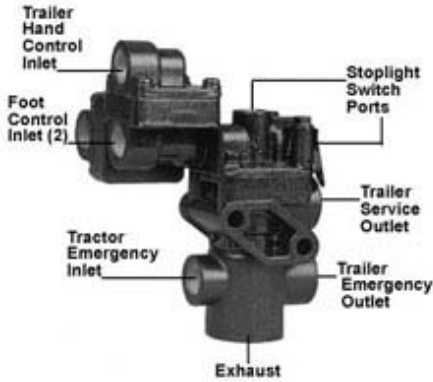
Notes:

- 1) Repair Kit use part number **RN31BC**.
- 2) Includes tractor protection, two double check valves, stoplight switch port, and built-in quick release, all in one valve.

SKU#	Product Description	Trac. Emer. Inlet	Foot Cont.	Hand Cont.	Stop Light Switch	Trlr. Serv. Outlet	Trlr. Emer. Outlet	Exh. Tube	Notes	OEM Part Number
KN34101	Two-Line	3/8" PTC	1@1/2" PTC 1@3/8" PTC	3/8" PTC	1@1/4"	1/2"	1/2"	No	PTC fittings	N30162RD
KN34102	Two-Line	3/8" PTC	1@1/2" PTC 1@3/8" PTC	3/8" PTC	1@1/4" 45° PTC	1/2"	1/2"	No	PTC fittings	N30162RE
KN34110	Two-Line	3/8"	2@3/8"	3/8"	1@1/4"	1/2"	1/2"	Yes	-	N30162MA
KN34111	Two-Line	3/8"	2@3/8"	3/8"	1@1/4"	1/2"	1/2"	No	-	N30162ME
KN34121	Two-Line	3/8" PTC	1@1/2" PTC 1@3/8" PTC	3/8" PTC	1@1/4" PTC	1/2"	1/2"	No	PTC fittings	N30162RF
KN34122	Two-Line	3/8" PTC	1@1/2" PTC 1@3/8" PTC	3/8" PTC	1@1/4" PTC	1/2" PTC	1/2" PTC	No	PTC fittings	N30162RG
KN34123	Two-Line	3/8" PTC	1@1/2" PTC 1@3/8" PTC	3/8" PTC	1@1/4" 45° PTC	1/2"	1/2"	No	PTC fittings Volvo Application	N30162RJ
KN34130	Two-Line	3/8"	2@3/8"	3/8"	1@1/4" 1@1/8" plugged	1/2"	1/2"	Yes	Body rotated 180° from picture	N30162PC
KN34131	Two-Line	3/8"	2@3/8"	-	1@1/4"	1/2"	1/2"	No	-	N30162MG

Haldex/Midland (New/Remanufactured)

Two-Line Manifold Style Remanufactured



Features:

- Can replace up to four valves on competitive systems.

Specifications:

Approximate Weight 1.5 lbs.

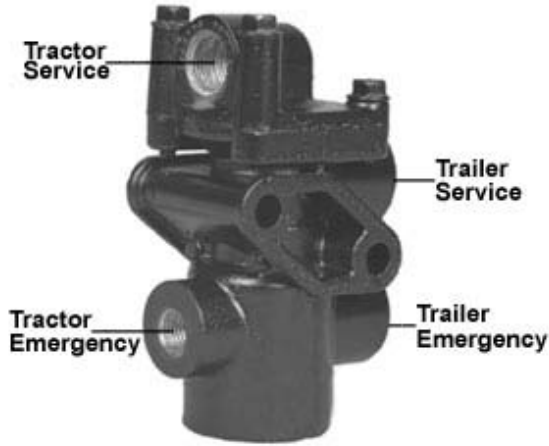
Notes:

- 1) Repair Kit use part number **RN31BC**.
- 2) Includes tractor protection, two double check valves, stoplight switch port, and built-in quick release, all in one valve.

SKU#	Product Description	Trac. Emer. Inlet	Foot Cont.	Hand Cont.	Stop Light Switch	Trlr. Serv. Outlet	Trlr. Emer. Outlet	Exh. Tube	OEM Part Number	Core Group
KN34080X	Remanufactured Two-Line Manifold Style	3/8"	2@3/8"	3/8"	1@1/4" 1@3/8" plugged	3/8"	3/8"	-	-	225
KN34090X	Remanufactured Two-Line Manifold Style	3/8"	2@3/8"	3/8"	1@1/4" 1@3/8" plugged	1/2"	1/2"	-	-	225
KN34100X	Remanufactured Two-Line Manifold Style	3/8"	2@3/8"	3/8"	1@1/4"	3/8"	3/8"	-	-	225
KN34110X	Remanufactured Two-Line Manifold Style	3/8"	2@3/8"	3/8"	1@1/4"	1/2"	1/2"	Yes	N30162MA	225

Haldex/Midland (New/Remanufactured)

Two-Line Non-Automatic



Features:

- Quick release feature eliminates the need for an extra valve.
- Will not allow trailer brake compounding.
- Directly replaces competitive valves.
- Available with Push-To-Connect (PTC) fittings for easy installation.

Specifications:

Approximate Weight 1.3 lbs.

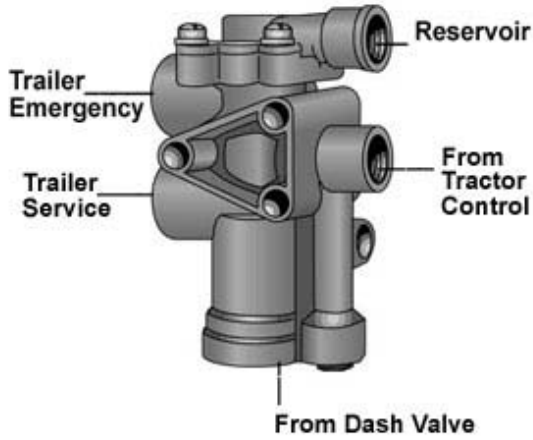
Notes:

- 1) **MUST BE USED WITH PRESSURE SENSING DASH CONTROL VALVE.**

SKU#	Product Description	Tractor Service	Tractor Emer.	Trailer Service	Trailer Emer.	Remarks	OEM Part Number	Core Group
KN34060	Two-Line Non-Automatic	3/8"	1/4"	1/2"	1/2"	-	N20949CA	-
KN34060X	Remanufactured Two-Line Non-Automatic	3/8"	1/4"	1/2"	1/2"	-	N20949CA	225
KN34061	Two-Line Non-Automatic	3/8"	1/4"	1/2"	1/2"	Exhaust Fitting	N20949CF	-

Haldex/Midland (New/Remanufactured)

Three-Line Automatic without Quick Release



Features:

- Three line automatic tractor protection without quick release.
- Can replace TP2 competitive systems.
- Available with standard thread fittings.

Specifications:

Approximate Weight 1.5 lbs.

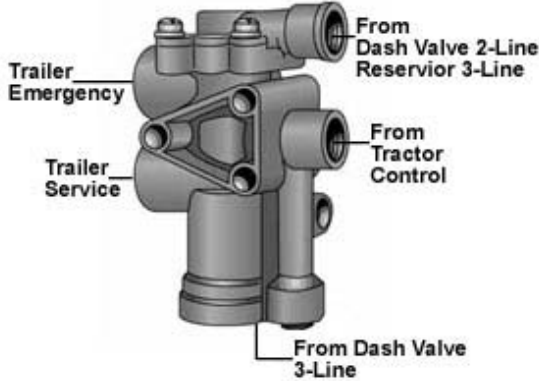
Notes:

- 1) Repair Kit use part number **RN31AR**.

SKU#	Product Description	Trac. Cont.	Trlr. Serv.	Trlr. Emer.	Res.	Dash Valve	Stoplight Switch	Notes	OEM Part Number	Core Group
KN34070	Three-Line Automatic	3/8"	1/2"	1/2"	3/8"	1/4"	-	Without Quick Release	N30300	-
KN34070X	Remanufactured Three-Line Automatic	3/8"	1/2"	1/2"	3/8"	1/4"	1/8"	Without Exhaust Snorkel	N30300	225

Haldex/Midland (New/Remanufactured)

Two and Three-Line Automatic



Features:

- Two and three-line automatic tractor protection with quick release.
- Can replace two valves on some competitive systems.
- Models with exhaust snorkel minimize in-cab noise by exhausting the trailer lines outside the cab.

Specifications:

Approximate Weight 1.5 lbs.

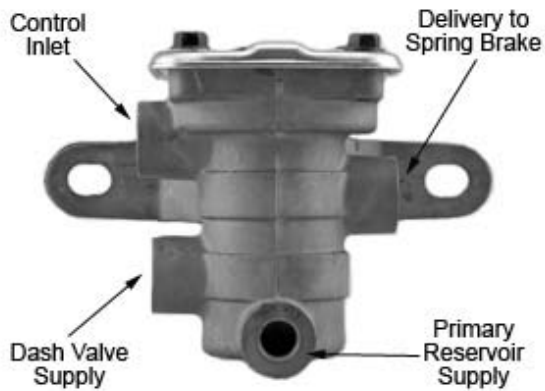
Notes:

- 1) Repair Kit use part number **RN31AR**.

SKU#	Product Description	Trac. Cont.	Trlr. Serv.	Trlr. Emer.	Res.	Stoplight Switch	Dash Valve	Notes	OEM Part Number	Core Group
KN34030	Two-Line Automatic	3/8"	1/2"	1/2"	-	-	3/8"	-	N30073FB	-
KN34050	Three-Line Automatic	3/8"	1/2"	1/2"	3/8"	-	1/4"	With Exhaust Snorkel	N30073GA	-
KN34050X	Remanufactured Three-Line Automatic	3/8"	1/2"	1/2"	3/8"	-	1/4"	With Exhaust Snorkel	N30073GA	225
KN34071	Three-Line Automatic	3/8"	1/2"	1/2"	3/8"	1/8"	1/4"	-	N30073GE	-

Haldex/Midland (New/Remanufactured)

Inversion Valve – pre-March 1998



Features:

- Complies with pre-March 1998 FMVSS-121 regulations.
- Detects primary reservoir air system failure, allowing modulated control of spring brakes.
- Interchangeable with competitive models (with hose line relocation).
- Available with (PTC) Push-To-Connect fittings.

Specifications:

Mounting Centers 4.65"
Approximate Weight 1.6 lbs.

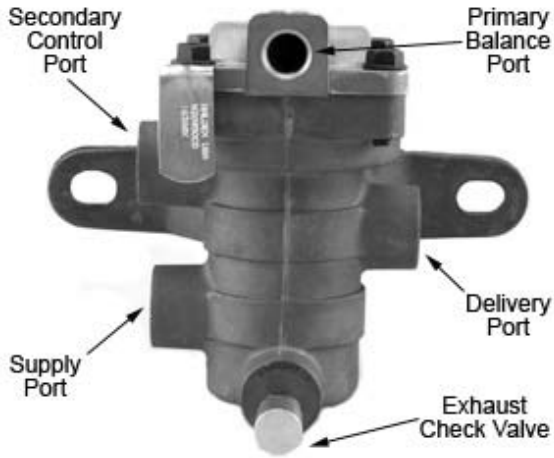
Notes:

- 1) Repair Kit use part number **RN10EV**.

SKU#	Product Description	Primary Reservoir	Supply	Control	Delivery	OEM Part Number	Core Group
KN28030	Inversion Valve	1/4"	1/4"	1/4"	1/4"	N20950AA	-
KN28030X	Remanufactured Midland Inversion Valve	1/4"	1/4"	1/4"	1/4"	N20950AA	225
KN28034	Inversion Valve	3/8" PTC	3/8" PTC	3/8" PTC	3/8" PTC	N20950AB	-

Haldex/Midland (New/Remanufactured)

Inversion Valve – March 1998



Features:

- Used with spring brake equipped truck or tractors.
- Complies with FMVSS-121 regulations effective March 1998.
- Detects primary control line failure, allowing modulated control of spring brakes.
- Interchangeable with competitive models.
- Available with (PTC) Push-To-Connect fittings.

Specifications:

Mounting Centers 4.65" to 5.00"
Approximate Weight 1.7 lbs.

Notes:

- 1) Repair Kit use part number **RN10JT**.

SKU#	Product Description	Primary Balance	Supply	Control	Delivery	OEM Part Number
KN28032	Inversion Valve	1/4"	1/4"	1/4"	1/4"	N20950CA