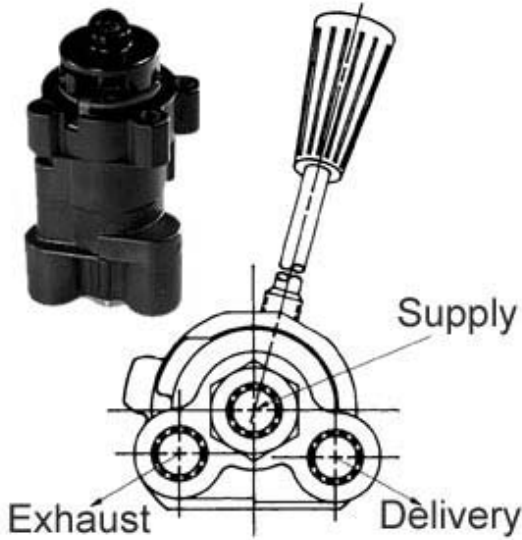


Haldex/Midland (New/Remanufactured)

Trailer Brake Control – In-Column Mount



Features:

- Made of durable (EGC) Engineering Grade Composite.
- Handle applies 50° maximum.
- Available with Push-To-Connect (PTC) fittings for nylon tubing.

Specifications:

Approximate Weight .70 lbs.

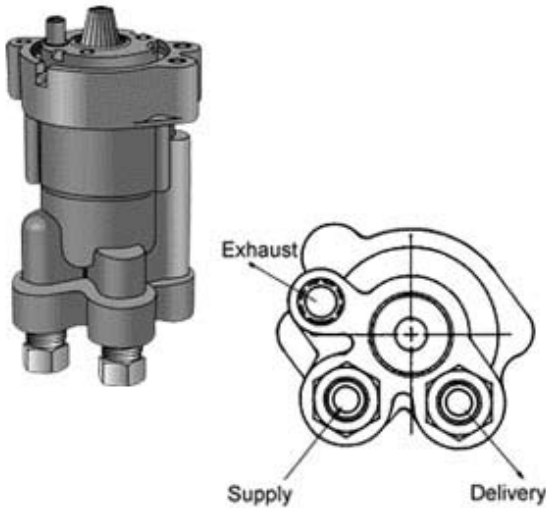
Notes:

- 1) Handle and knob **NOT** supplied with service unit.
- 2) Retro-Fit Bracket use part number **102008GM**.

| SKU# | Product Description | Type | Supply | Delivery | Control | Handle | OEM Part Number |
|---------|---------------------------------------|----------------|----------|----------|----------|----------|-----------------|
| KN20541 | In-Column Mount Trailer Brake Control | Holding | 1/4" | 1/4" | 1/4" | KN20543 | N30103BB |
| KN20542 | In-Column Mount Trailer Brake Control | Self-Releasing | 1/4" | 1/4" | 1/4" | KN20543 | N30103BL |
| KN20547 | In-Column Mount Trailer Brake Control | Self-Releasing | 3/8" PTC | 3/8" PTC | 1/4" PTC | KQ205450 | N30103FK |

Haldex/Midland (New/Remanufactured)

Trailer Brake Control – GM In-Column Mount



Features:

- Made of durable (EGC) Engineering Grade Composite.
- Handle rotates 72° maximum.
- Available as self-return or holding type valve.

Specifications:

Approximate Weight .70 lbs.

Notes:

- 1) Includes special tube nuts in ports.
- 2) Handle Kit use part number **KN20553**.
- 3) Repair Kit use part number **RN10GK**.

| SKU# | Product Description | Type | Delivery | Supply | Exhaust | Notes/Application | OEM Part Number |
|---------|--|-------------|----------|--------|---------|---------------------|-----------------|
| KN20551 | GM In-Column Mount Trailer Brake Control | Holding | 3/8" | 3/8" | 1/8" | Handle not included | N30107BC |
| KN20552 | GM In-Column Mount Trailer Brake Control | Self-Return | 3/8" | 3/8" | 1/8" | Handle not included | N30107BD |

Haldex/Midland (New/Remanufactured)

Trailer Brake Control – Steering Column Mount



Features:

- External steering column mount.
- Handle applies 70° maximum.
- Chrome handle.

Specifications:

Approximate Weight 2.8 lbs.

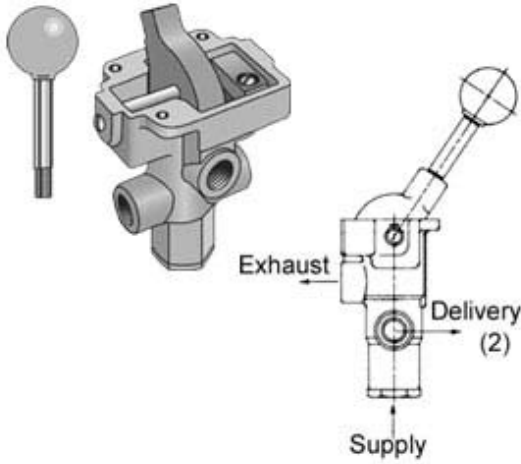
Notes:

- 1) Includes Chrome Handle, Bracket and Mounting Bolts.
- 2) Repair Kit use part number **RN10GJ**.

| SKU# | Product Description | Supply | Delivery | Exhaust | Type | OEM Part Number | Core Group |
|----------|--|----------|----------|----------|-------------|-----------------|------------|
| KN20561 | Hand Operated Trailer Brake Control Valve | 1/4" NPT | 1/4" NPT | 1/4" NPT | Holding | N30161AH | - |
| KN20561X | Remanufactured Hand Operated Trailer Brake Control Valve | 1/4" NPT | 1/4" NPT | 1/4" NPT | Holding | N30161AH | 304 |
| KN20562 | Hand Operated Trailer Brake Control Valve | 1/4" NPT | 1/4" NPT | 1/4" NPT | Self-Return | N30161AJ | - |
| KN20562X | Remanufactured Hand Operated Trailer Brake Control Valve | 1/4" NPT | 1/4" NPT | 1/4" NPT | Self-Return | N30161AJ | 304 |

Haldex/Midland (New/Remanufactured)

Trailer Brake Control – Panel Mount



Features:

- Limited delivery.

Specifications:

Approximate Weight .88 lbs.

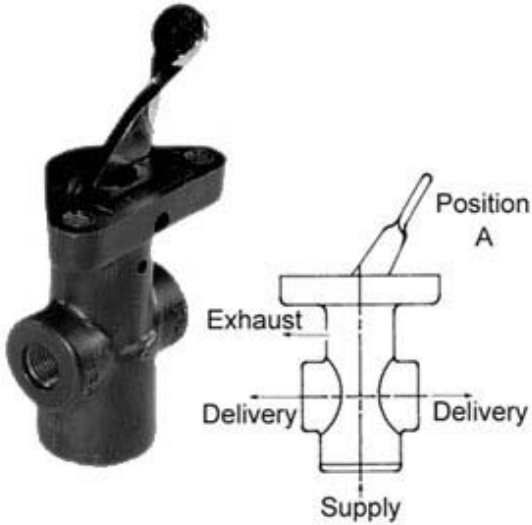
Notes:

- 1) Contact original equipment manufacturer for knob replacement not covered below.
KN20580 use part number **N15285M**
KN20590 use part number **N15285M**
- 2) Lever for KN20581 use part number **102462D**.

| SKU# | Product Description | Maximum Delivery | All Ports | Notes | OEM Part Number |
|---------|--|------------------|-----------|--|-----------------|
| KN20580 | Panel Mount Trailer Brake Control Valve | 80 PSI | 1/4" | 2" lever and knob included 3/8" – 24 thread | N30105B |
| KN20581 | Panel Mount Trailer Brake Control Valve | System Pressure | 1/4" | 5" lever included knob not included | N30105D |
| KN20585 | Panel Mount Trailer Brake Control Valve | 75 PSI | 1/4" | 5" lever included knob not included 3/8" – 16 thread | N30105H |
| KN20590 | Panel Mount Trailer Brake Control Valves | 50 PSI | 1/4" | 2" lever and knob included 3/8" – 24 thread | N30105C |

Haldex/Midland (New/Remanufactured)

Flipper Style – Panel Mount



Features:

- Panel or remote mount.
- Made of durable (EGC) Engineering Grade Composite.
- An on-off, non-automatic two position valve.

Specifications:

Approximate Weight .18 lbs.

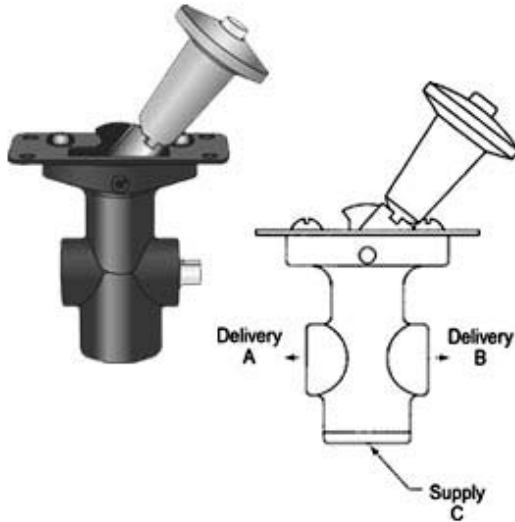
Notes:

- 1) Faceplates listed later in this section.

| SKU# | Product Description | Release Position | Handle Finish | All Ports | Mounting Holes | OEM Part Number |
|---------|---------------------------------|------------------|---------------|-----------|------------------------------|-----------------|
| KN20001 | Panel Mount Flipper Style Valve | A – see picture | Chrome | 1/8" | #10-24 with 1.50" centers | N13440DL |
| KN20002 | Panel Mount Flipper Style Valve | A – see picture | Chrome | 1/8" | M5 Metric with 1.50" centers | N13440DN |

Haldex/Midland (New/Remanufactured)

Flipper Style – with Locking Handle



Features:

- Panel mount.
- Locking type.
- Made of durable (EGC) Engineering Grade Composite.

Specifications:

Approximate Weight .6 lbs.

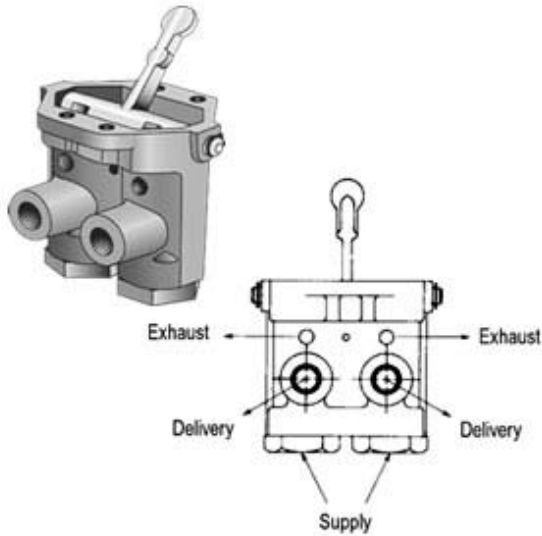
Notes:

- 1) Includes locking handle.
- 2) Replaces Williams WM78/Series.

| SKU# | Product Description | Delivery A | Delivery B | Supply C | Application | OEM Part Number |
|---------|---|------------|------------|----------|--|-----------------|
| KN20700 | Panel Mount Flipper Style Valve with Locking Handle | 1/8" | Plugged | 1/8" | For controlling fifth wheel operation. | N13440FB |

Haldex/Midland (New/Remanufactured)

Double Flipper Style



Features:

- Panel mount.
- Directional air control valve.

Specifications:

Approximate Weight 1 lb.

Notes:

- 1) All units supplied with handle.
- 2) May be used for control of push-pull air cylinders or various other air operated devices.
- 3) **N14515BT** (Holland Hitch Dolly Master) name plate for N15791V.

| SKU# | Product Description | Apply/Release Position | Supply Ports | Delivery Ports | Handle | Repair Kit | OEM Part Number |
|---------|----------------------------|---|---------------------------|----------------|---------|------------|-----------------|
| KN20080 | Double Flipper Style Valve | 3 position with Manual Release ONLY | 2 @ 1/4" NPT | 2 @ 1/8" NPT | K200800 | RN34H | N15791D |
| KN20090 | Double Flipper Style Valve | 3 position with Automatic Release when Supply 'A' is applied. | 2 @ 1/4" NPT | 2 @ 1/8" NPT | K200900 | RN34H | N15791F |
| KN20110 | Double Flipper Style Valve | 2 position with Manual Release ONLY | 2 @ 1/4" NPT | 2 @ 1/8" NPT | K201100 | RN34F | N15791J |
| N15791H | Double Flipper Style Valve | 3 position with Automatic Release when Supply 'A' is applied | 1 plugged 1 @ 1/4" NPT | 2 @ 1/8" NPT | K200900 | RN34H | N15791H |
| N15791T | Double Flipper Style Valve | 2 position with Manual Release ONLY | 2 @ 1/8" NPT | 2 @ 1/8" NPT | K201100 | RN34H | N15791T |
| N15791V | Double Flipper Style Valve | 3 position with Automatic Release when Supply 'A' is applied | 1 plugged 1 @ 1/4" NPT | 2 @ 1/8" NPT | K200900 | RN34H | N15791V |

Haldex/Midland (New/Remanufactured)

Manifold Dash Style A



Features:

- Engineering Grade Composite (EGC) – One Piece Housing.
- Ports have molded identification.
- Replaces competitive units.
- Completely serviceable.

Specifications:

Tractor Valve 20 – 35 PSI
Trailer Valve 20 – 45 PSI
Non-Override 25 ± 5 PSI
Spools 2

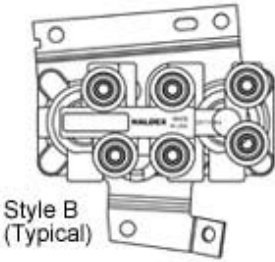
Notes:

- 1) Mounting configurations listed later in this section.
- 2) See Accessories for related parts and repair kits.

| SKU# | Product Description | Mount. (4) | Trlr. Del. | Res. (2) | Exh. | Trac. Del. | Aux. Sup. | OEM Part Number |
|---------|---------------------|--|------------|----------|----------|------------|-----------|------------------|
| KN20601 | Manifold Dash Valve | Horizontal – M6 Metric nuts on cover | 1/4" | 1/4" | 1/4" | 1/4" | 1/4" | N4400EA – N4400C |
| KN20602 | Manifold Dash Valve | Horizontal – 1/4"-20 nuts on cover | 1/4" | 1/4" | 1/4" | 1/4" | 1/4" | N4400EB – N4400E |
| KN20603 | Manifold Dash Valve | Horizontal – M6 Metric well nuts in body | 1/4" | 1/4" | 1/4" | 1/4" | 1/4" | N4400EC – N4400G |
| KN20605 | Manifold Dash Valve | Vertical – M6 Metric nuts on cover | 1/4" | 1/4" | 1/4" | 1/4" | 1/4" | N4400ED – N4400J |
| KN20606 | Manifold Dash Valve | Horizontal – 1/4"-20 nuts on cover | 1/4" | 1/4" | 1/4" | 1/4" | 1/4" | N4400EE – N4400M |
| KN20607 | Manifold Dash Valve | Vertical – M6 Metric nuts on cover | 3/8" PTC | 3/8" PTC | 3/8" PTC | 3/8" PTC | 3/8" PTC | N4400EF – N4400S |
| KN20608 | Manifold Dash Valve | Horizontal – 1/4"-20 well nuts in body | 3/8" PTC | 3/8" PTC | 1/4" | 3/8" PTC | 1/4" | N4400EG – N4400R |
| KN20611 | Manifold Dash Valve | Horizontal – 1/4"-20 well nuts in body | 1/4" | 1/4" | 1/4" | 1/4" | 1/4" | N4400EH – N4400B |
| KN20612 | Manifold Dash Valve | Horizontal – 10-24 well nuts in body | 1/4" | 1/4" | 1/4" | 1/4" | 1/4" | N4400EJ – N4400A |
| KN20615 | Manifold Dash Valve | Horizontal – 1/4" hole in body | 1/4" | 1/4" | 1/4" | 1/4" | 1/4" | N4400EK – N4400 |
| KN20616 | Manifold Dash Valve | Vertical – 1/4"-20 well nuts in body | 1/4" | 1/4" | 1/4" | 1/4" | 1/4" | N4400D |
| KN20632 | Manifold Dash Valve | Horizontal – M6 Metric nuts on cover | 3/8" PTC | 3/8" PTC | 3/8" PTC | 3/8" PTC | - | N4400FB |
| KN20636 | Manifold Dash Valve | Horizontal – M6 Metric nuts on cover | 3/8" PTC | 3/8" PTC | 3/8" PTC | 3/8" PTC | 3/8" PTC | N4400FE |

Haldex/Midland (New/Remanufactured)

Manifold Dash Style B



Style B
(Typical)

Features:

- Engineering Grade Composite (EGC) – One Piece Housing.
- Ports have molded identification.
- Replaces competitive units.
- Completely serviceable.

Specifications:

Tractor Valve 20 – 35 PSI
Trailer Valve 20 – 45 PSI
Non-Override 25 ± 5 PSI

Notes:

- 1) Mounting configurations listed later in this section.
- 2) See Accessories for related parts and repair kits.

| SKU# | Product Description | Spools | Mount. (4) | Trlr. Del. | Res. (2) | Exh. | Trac. Del. | Aux. Sup. | Notes | OEM Part Number |
|---------|---------------------|--------|---------------------------------|-------------|-------------|-------------|-------------|-----------|--|-------------------|
| KN20619 | Manifold Dash Valve | 2 | Vertical – 1/4" hole in cover | 3/8" PTC | 3/8" PTC | 3/8" PTC | 3/8" PTC | 3/8" PTC | – | N4400EL – N4400BA |
| KN20620 | Manifold Dash Valve | 2 | Vertical – 1/4" hole in cover | 3/8" PTC | 3/8" PTC | 3/8" PTC | 3/8" PTC | 3/8" PTC | – | N4400EM – N4400CA |
| KN20621 | Manifold Dash Valve | 2 | Horizontal – 1/4" hole in cover | 3/8" 45 PTC | 3/8" 45 PTC | 3/8" 45 PTC | 3/8" 45 PTC | – | – | N4400EN – N4400BB |
| KN20622 | Manifold Dash Valve | 2 | Vertical – 3/16" hole in cover | 3/8" 90 PTC | 3/8" 45 PTC | 3/8" 90 PTC | 3/8" 45 PTC | – | Yellow knob (tractor spool) located in bottom position | N4400EP – N4400BC |
| KN20623 | Manifold Dash Valve | 1 | Vertical – 1/4" hole in cover | – | 3/8" PTC | 3/8" PTC | 3/8" PTC | – | Yellow knob (tractor spool) located in bottom position | N4400ER – N4400DA |
| KN20629 | Manifold Dash Valve | 1 | Vertical – 3/16" hole in cover | – | 3/8" 45 PTC | 3/8" 90 PTC | 3/8" 45 PTC | – | Yellow knob (tractor spool) located in bottom position – tractor supply port below exhaust | N4400EZ – N4400DD |

Haldex/Midland (New/Remanufactured)

Push-Pull Parking Brake



Features:

- Controls parking/emergency brakes.
- Bulkhead mount, requires 7/8" mounting hole.
- Made of durable (EGC) Engineering Grade Composite.
- A better replacement for the PP-1
- Knob, pin and mounting nut shipped with valve un-assembled.

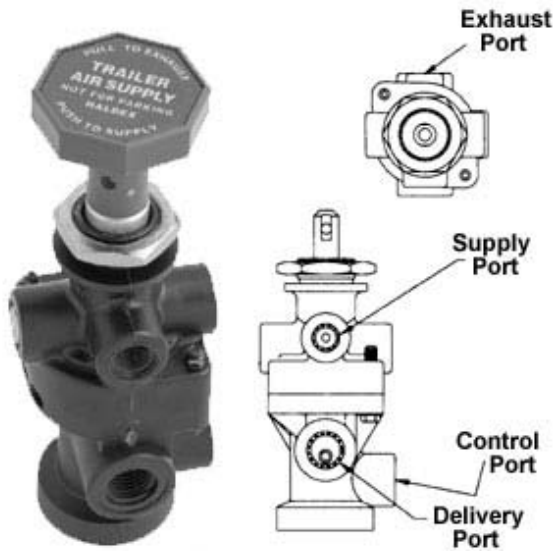
Specifications:

Approximate Weight .4 lbs.

| SKU# | Product Description | Pop Pressure | Knob Included | All Ports | Notes | OEM Part Number |
|---------|---|-----------------|---------------|-----------|---------------|-----------------|
| KN20021 | Push-Pull Parking/Emergency Brake Valve | 35 ± 10 PSI | KN20903 | 1/8" NPT | System Brake | N20960 |
| KN20022 | Push-Pull Parking/Emergency Brake Valve | 35 ± 10 PSI | KN20901 | 1/8" NPT | Parking Brake | N20960A |
| KN20023 | Push-Pull Parking/Emergency Brake Valve | 17.5 ± 12.5 PSI | KN20903 | 1/8" NPT | System Brake | N20960B |

Haldex/Midland (New/Remanufactured)

Push-Pull Trailer Air Supply



Features:

- Controls tractor protection.
- Bulkhead mount, requires 7/8" mounting hole.
- Made of durable (EGC) Engineering Grade Composite.
- A better replacement for the PP-7

Specifications:

Approximate Weight .7 lbs.

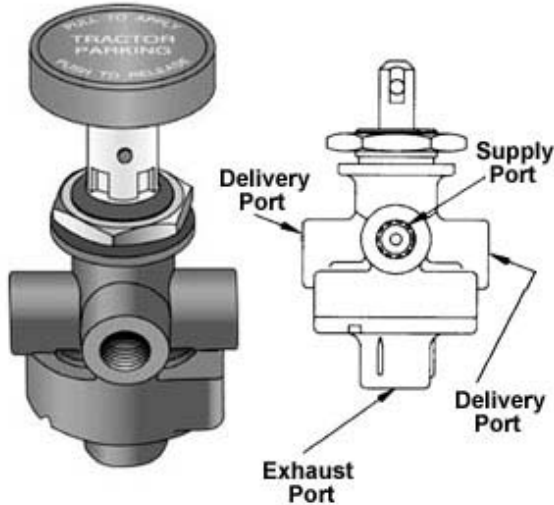
Notes:

- 1) **KN20900** Knob included.

| SKU# | Product Description | Pop Pressure | Non-Override Pressure | Exhaust and Delivery | Supply and Control | Notes | OEM Part Number |
|---------|------------------------------------|--------------|-----------------------|----------------------|--------------------|----------------|-----------------|
| KN20025 | Push-Pull Trailer Air Supply Valve | 35 ± 10 PSI | 25 ± 5 PSI | 1/4" NPT | 1/8" NPT | Trailer Supply | N20961 |

Haldex/Midland (New/Remanufactured)

Push-Pull Tractor Parking



Features:

- Controls TRACTOR ONLY parking.
- Bulkhead mount, requires 7/8 inch mounting hole.
- Made of durable (EGC) Engineering Grade Composite.
- A better replacement for the PP-8
- Will not stay in half-on/half-off position.

Specifications:

Approximate Weight .4 lbs.

| SKU# | Product Description | Pop Pressure | Knob Included | All Ports | Notes | OEM Part Number |
|---------|---------------------------------|-----------------|---------------|-----------|-----------------|-----------------|
| KN20035 | Push-Pull Tractor Parking Valve | 17.5 ± 12.5 PSI | KN20902 | 1/8" NPT | Tractor Parking | N20964 |

Haldex/Midland (New/Remanufactured)

Push-Pull Panel Mount



Features:

- Panel mount.
- Made of durable (EGC) Engineering Grade Composite.

Specifications:

Approximate Weight .26 lbs.

Notes:

- 1) Includes knob and lock nut.
- 2) Faceplates listed later in this section.

| SKU# | Product Description | Pop Pressure | Knob Included | Face Plate Included | All Ports | OEM Part Number |
|----------|-----------------------------|--------------|---------------|---------------------|-----------|-----------------|
| KN20031 | Push-Pull Panel Mount Valve | 25-35 PSI | A25079 | - | 1/4" | N20928CK |
| KN20033 | Push-Pull Panel Mount Valve | 7-17 PSI | A25079 | - | 1/4" | N20928CH |
| N20928CL | Push-Pull Panel Mount Valve | 25-35 PSI | 12510 | - | 1/4" | N20928CL |
| N20928CM | Push-Pull Panel Mount Valve | 25-35 PSI | N14514 | K1451517 | 1/4" | N20928CM |

Haldex/Midland (New/Remanufactured)

Push-Pull Bulkhead Mount



Features:

- Bulkhead mount.
- Made of aluminum.
- Two and three way types.
- Fits 5/8" dashboard holes.

Specifications:

Approximate Weight .5 lbs.

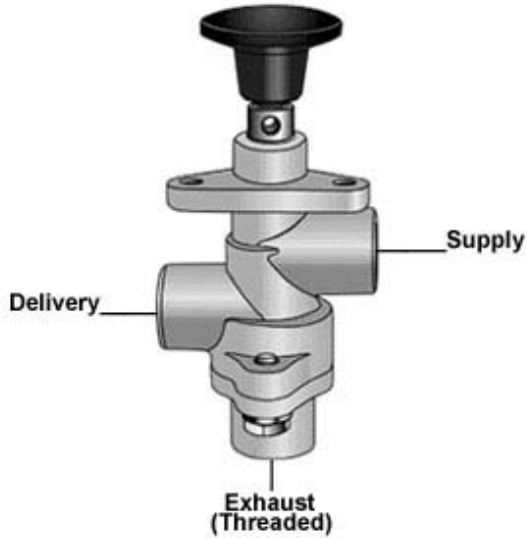
Notes:

- 1) **A25079** Knob included.
- 2) Faceplates listed later in this section.

| SKU# | Product Description | Type | All Ports | Repair Kit | Face Plate Included | OEM Part Number |
|--------|--------------------------------|-------|-----------|------------|-----------------------------|---|
| A83034 | Push-Pull Bulkhead Mount Valve | 2-Way | 1/4" | RN10JA | None | AD83034 |
| A83580 | Push-Pull Bulkhead Mount Valve | 3-Way | 1/4" | RN10JB | N14515BN Push-To-Release | AD83580 with threaded exhaust ports |
| A87940 | Push-Pull Bulkhead Mount Valve | 3-Way | 1/4" | RN10JB | N14515BR Pintle Hook | AD87940 with threaded exhaust ports |

Haldex/Midland (New/Remanufactured)

Push-Pull Hostler Valve



Features:

- Panel or bulkhead mount.
- Requires 3/4" hole in dashboard.

Specifications:

Approximate Weight .88 lbs.

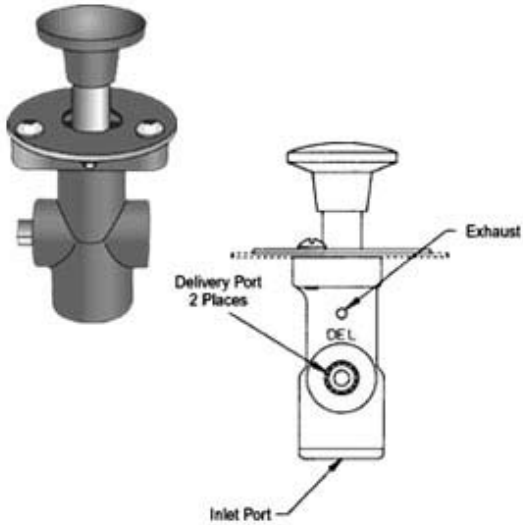
Notes:

- 1) For in-cab applications.

| SKU# | Product Description | Pop Pressure | Knob Included | Delivery Port | Exhaust Port | OEM Part Number |
|---------|---------------------------------------|--------------|-------------------------|---------------|--------------|-----------------|
| KN20010 | Hand Operated Push-Pull Hostler Valve | 25/40 PSI | N14514 Plain | 1/4" | 1/4" | N14488AE |
| KN20011 | Hand Operated Push-Pull Hostler Valve | 0 PSI | N14514 Plain | 1/4" | 1/4" | N14488R |
| KN20015 | Hand Operated Push-Pull Hostler Valve | 25/40 PSI | 12510 Trailer Emergency | 1/4" | 1/4" | N14488AC |
| KN20020 | Hand Operated Push-Pull Hostler Valve | 25/40 PSI | None | 1/4" | 1/4" | N14488AK |

Haldex/Midland (New/Remanufactured)

Push Style



Features:

- Panel mount.
- Must be manually held in – "Dead Man" type.
- Made of Engineering Grade Composite (EGC).

Specifications:

Approximate Weight .5 lbs.

Notes:

- 1) Not for use on truck-tractor-trailer application.
- 2) **N14514** Plain Knob and **N14515AB** Push for Emergency Release Faceplate included.

| SKU# | Product Description | All Ports | Application | Notes | OEM Part Number |
|---------|---|-----------|--------------------------------|---|-----------------|
| KN20061 | Hand Operated Push Style Valve for Construction Equipment | 1/8" | Used on construction equipment | Must be manually held in – exhausts when released | N15760G |