

Conventional Style



ALUMINUM BODY/STEEL FACE



CAST IRON

Features:

- Aluminum body/steel face and cast iron units available.
- Aluminum body/steel face units are heavy duty – built to take abuse.
- Economical to lower fleet maintenance cost.
- Universal and polarized configurations available for fleet choice.
- Filtered units help keep airlines free of valve damaging contaminants.
- Polarized units have the letter "S" or "E" diecast into the body of the gladhand for easy identification of emergency or service.
- Steel face is zinc yellow dichromate and aluminum body is chromate conversion coated for corrosion resistance.
- Interchangeable with competitive gladhands.
- 11450, 11451, 11452, 11460, 11461, 11462 has internal filter installed to protect airline from contamination.

Specifications:

- 10024** Protect-O Seal
- 10028** Full Face Seal
- 10029** Compression Seal
- 10035** Filter
- D380310** Replacement Bracket for Cast Iron "Old Style"
- D380410** Replacement Bracket for Cast Iron "Old Style"

Notes:

- 1) Gladhand Accessories and Related Parts listed later in this section.

SKU#	Product Description	Material	Configuration	Seal Style	OEM #
11450	Aluminum Conventional Style Hose Coupler (Gladhands)	Aluminum/Steel	Universal	10028	N20415MA N20415MB N20415MD
11451	Aluminum Conventional Style Hose Coupler (Gladhands)	Aluminum/Steel	Emergency	10028	N20415NB N20415NA N20415ND N20415NA N20415NF
11452	Aluminum Conventional Style Hose Coupler (Gladhands)	Aluminum/Steel	Service	10028	N20415PB N20415PA N20415PD
11460	Aluminum Conventional Style Hose Coupler (Gladhands)	Aluminum/Steel	Universal	10028	N20415MB
11461	Aluminum Conventional Style Hose Coupler (Gladhands)	Aluminum/Steel	Emergency	10028	N20415NB
11462	Aluminum Conventional Style Hose Coupler (Gladhands)	Aluminum/Steel	Service	10028	N20415PB
A77770	Cast Iron Conventional Style Hose Coupler (Gladhands)	Cast Iron	Service	10029	-
A77771	Cast Iron Conventional Style Hose Coupler (Gladhands)	Cast Iron	Emergency	10029	-
A86300	Cast Iron Conventional Style Hose Coupler (Gladhands)	Cast Iron	Universal	10029	AD86300

**Gladhands With Dust Covers**



**Features:**

- Economical to lower fleet maintenance cost.
- Interchangeable with competitive gladhands.
- Designed for rugged off-highway applications.
- Manufactured to keep dirt, debris, bugs and other contaminants out of the air system.
- Color coded protective lids.

**Typical – 11490 Shown**

SKU#	Product Description	Configuration	Color Code	Ports	OEM Number
11489	Emergency Gladhand with Dust Cover	Emergency	Red	1/2" NPT	N20405KC
11490	Service Gladhand with Dust Cover	Service	Blue	1/2" NPT	N20405JC

Gladhand With Cable



Features:

- Use on rear of pups, seals system, keeps dirt out.

SKU#	Product Description	Notes	OEM Part Number
11400	Gladhand with Cable	Universal (non-polarized) gladhand with reinforced cable attached to aluminum handle.	10453110

**Quick Release Gladhand**



NIPPLE MOUNT



40° BRACKETED MOUNT

**Features:**

- Unique Patented Design with Built-In Quick Release Valve
- Heavy Duty Aluminum Body and Steel Face
- Zinc Yellow Dichromate Steel and Chromate Conversion Coated Aluminum
- Improves brake release timing by up to 67%

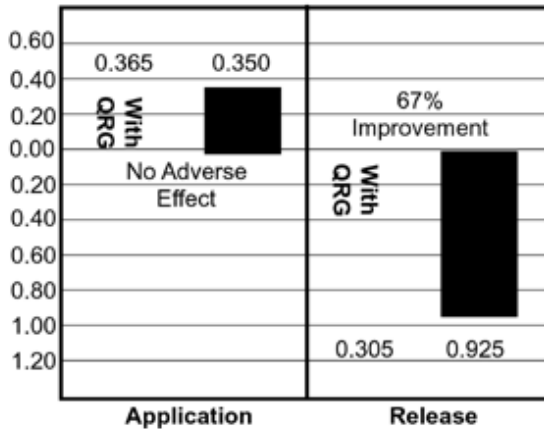
**Specifications:**

**RN58A** Repair Kit

**Notes:**

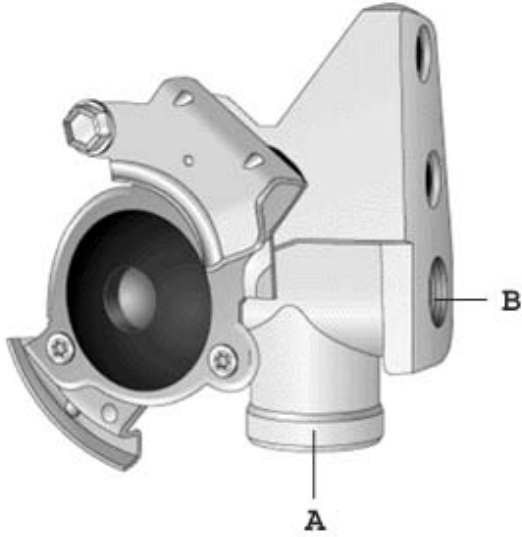
- 1) Replaces the Service Gladhand located on the nose of the trailer.
- 2) Gladhand Accessories and Related Parts listed later in this section.
- 3) The effectiveness of the QRG will vary between vehicle air systems and how well the systems are currently balanced.

Time (sec) **Typical Brake Timing Balance**



SKU#	Product Description	Repair Kit	OEM Number
11483	Nipple Mount QRG (Quick Release Gladhand)	RN58A	N20405EA
11484	40° Bracketed Mount QRG (Quick Release Gladhand)	RN58A	N20405FA

Bracket Mount Style



Features:

- Bracket mount eliminates the need for additional mounting panels – thus lowering cost.
- Heavy duty design stands out 4" from mounting surface.
- Available in either 3/8" and 1/2" dual port design.
- Polarized and color coded in emergency and service configurations for easy identification of airlines.
- Shipped both ports open and plugs loose for customer adaptation as needed.
- Emergency and service assemblies.
- Replacement seals and filters may be purchased separately.

Specifications:

- 10028** Full Face Seal
- 10029** Compression Seal
- 10035** Protect-O Seal
- D380310** Replacement Bracket
- D380410** Replacement Bracket

Notes:

- 1) Includes **10028** Dual Lip Seal, **10035** Filter and loose 3/8" or 1/2" plug.
- 2) Gladhand Accessories and Related Parts listed later in this section.

SKU#	Product Description	Configuration	Ports A & B	Seal Style	OEM Number
11440	Bracket Mount Style Hose Coupler (Gladhand)	Service	3/8-18	10028	20405V
11441	Bracket Mount Style Hose Coupler (Gladhand)	Emergency	3/8-18	10028	N20405TC N20405TB N20405TJ 20405T
11444	Bracket Mount Style Hose Coupler (Gladhand)	Service	1/2-14	10028	N20405VE
11445	Bracket Mount Style Hose Coupler (Gladhand)	Emergency	1/2-14	10028	N20405TA N20405TD N20405TL 20405T

**Flexible Mount Style**



**11432 Shown**

**Features:**

- Units shown without filter.
- 6" flexible hose installed to save maintenance time.
- Universal and polarized configuration available for fleet choice.
- Polarized units have the letter "E" or "S" diecast into the body of the gladhand for easy identification of emergency or service.

**Specifications:**

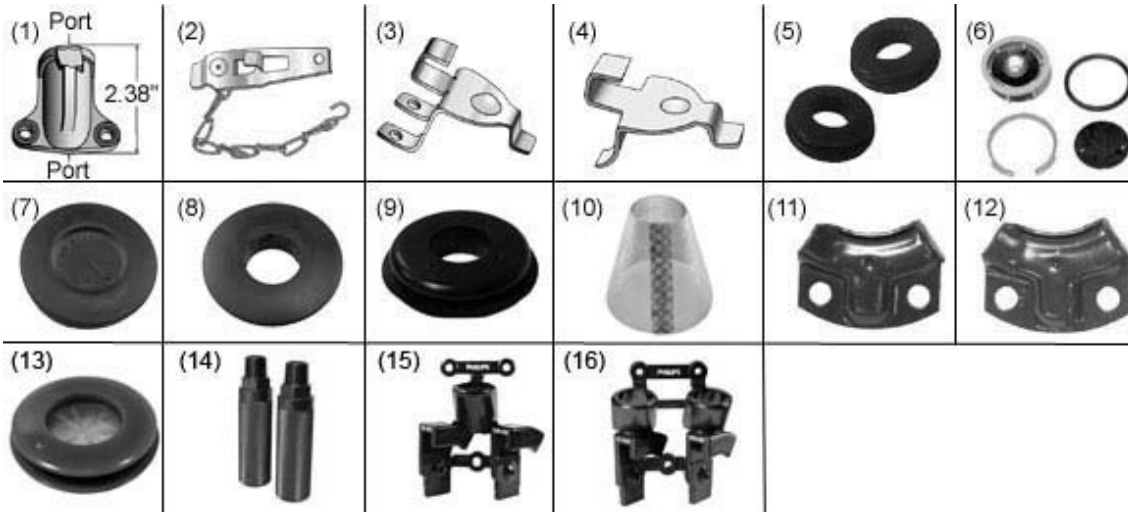
- 10028** Seal
- 10035** Filter
- D380310** Replacement Bracket
- D380410** Replacement Bracket

**Notes:**

- 1) Includes **10028** Double Lip Seal.
- 2) Gladhand Accessories and Related Parts listed later in this section.
- 3) Use Filter in Gladhands to keep airlines free of valve damaging contaminants.

SKU#	Product Description	Inlet Ports	Material Composition	Configuration	Seal Style
11430	Universal Hose Coupler (Gladhands) Flexible Mount Style	1/2" – 1/4" NPT	Aluminum/Steel	Universal	10028
11431	Polarized Hose Coupler (Gladhands) Flexible Mount Style	1/2" – 1/4" NPT	Aluminum/Steel	Emergency	10028
11432	Polarized Hose Coupler (Gladhands) Flexible Mount Style	1/2" – 1/4" NPT	Aluminum/Steel	Service	10028

Gladhand Accessories and Related Parts



SKU#	Product Description	Notes	OEM #	Pic. #
10024	Gladhand Protect-0 Seal	For Conventional Style Gladhands	10440	7
10028	Gladhand Full Face Seal	For Flexible, Bracket Mount and Conventional Style Gladhands	1509	8
10029	Gladhand Compression Seal	For Bracket Mount and Conventional Style Gladhands	10405	9
10035	Gladhand Filter	For Flexible, Bracket Mount and Conventional Style Gladhands	1048011	10
11312	Gladhand Elbow – Aluminum	2.16" Mounting Centers 3/8" x 3/8" Ports	10358	1
11401	Coupler with Chain	With Vent Hole Zinc and yellow dichromate bodies with chains attached.	N13048A	2
11402	Coupler with Chain	Without Vent Hole Zinc and yellow dichromate bodies with chains attached.	N13048	2
11403	Hose Support Bracket	For Current Design Flexstiks	10422	3
11404	Hose Support Bracket	For Early Design Flexastiks	1042201	4
BE120167	Gladhand Seal	With dust flap, gray polyurethane	-	13
BE12600	Coiled Air Gladhand Extensions	Pair (red & blue)	-	14
BE15041	Gladhand Holder	1 Plug, 2 Gladhand Holder	-	15
BE15042	Gladhand Holder	2 Plug, 2 Gladhand Holder	-	16
D380310	Old Style Conventional Gladhand Replacement Bracket – Service (Blue Service)	For Bracket, Flexible Mount and Conventional Style Gladhands	1048006B	11
D380410	Old Style Conventional Gladhand Replacement Bracket – Service (Red Emergency)	For Bracket, Flexible Mount and Conventional Style Gladhands	1048006R	12
DA9017B	Polyurethane Color Gladhand Seal	Standard Pack 100 Blue Seals	-	5
DA9017R	Polyurethane Color Gladhand Seal		-	5

# Gladhands

# 05-AIR DRYERS/AIR LINE

		Standard Pack 100 Red Seals		
DA909005	Polyurethane Color Gladhand Seal	Contains (2) Red and (2) Blue Seals	-	5
RN58A	Gladhands Repair Kit	For Quick Release Gladhands	-	6