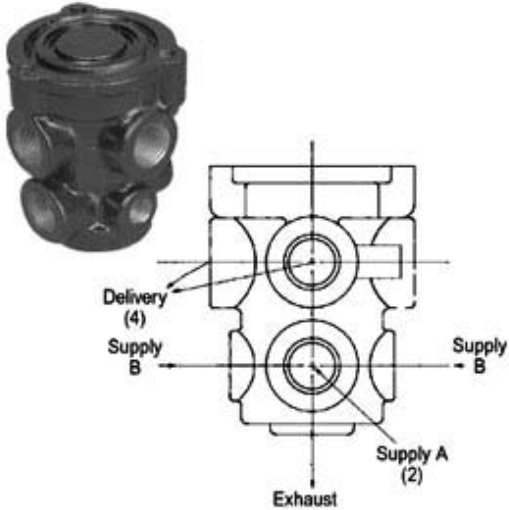


Haldex/Midland (New/Remanufactured)

Single Circuit



Features:

- Directly replaces competitive brands.
- All supply and delivery ports are common.
- Provides smooth and consistent pedal feel.
- Used primarily with pre FMVSS-121 vehicles – prior to 1975.

Specifications:

Approximate Weight 1.5 lbs.

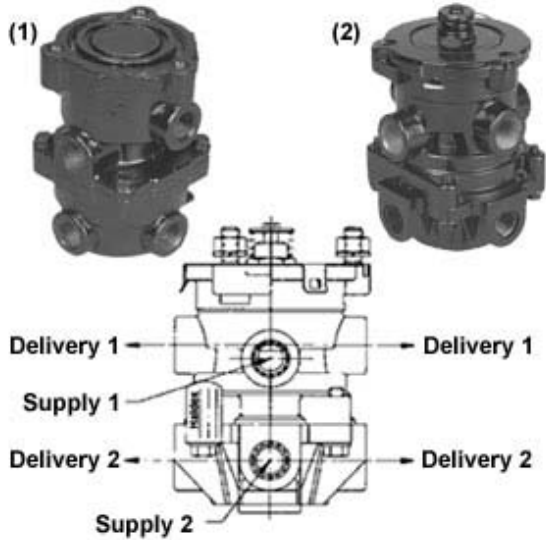
Notes:

- 1) Repair Kit use part number **RN10BX**.

SKU#	Product Description	Supply A (2)	Supply B (2)	Delivery (4)	Notes	OEM Part Number	Core Group
KN22100	Single Circuit Foot Operated Service Brake Control	1/2"	1/4"	1/2"	Standard Tractor Foot Valve Prior to 1975	N20837	-
KN22100X	Remanufactured Single Circuit Foot Operated Service Brake Control	1/2"	1/4"	1/2"	Studs Not Included	N20837	304

**Haldex/Midland (New/Remanufactured)**

**Dual Circuit**



**Features:**

- Directly replaces competitive brands.
- Provides smooth and consistent pedal feel.
- Two separated, individual service brake circuits in a single housing.
- Each circuit individually controls front and rear service brakes.
- Meets FMVSS 121 requirements.

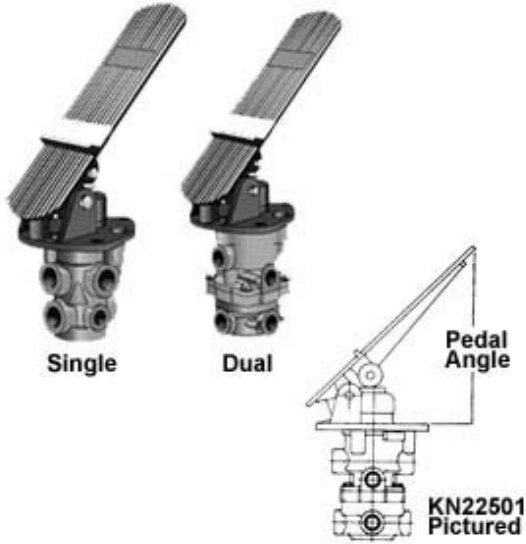
**Specifications:**

**Approximate Weight** 2.8 lbs.

SKU#	Product Description	Supply (4)	Delivery (4)	Mounting Studs	Repair Kit	Notes	OEM Part Number	Picture	Core Group
KN22140X	Reman. Dual Circuit Foot Operated Valve	3/8" NPT	3/8" NPT	Studs Not Included	-	-	-	1	304
KN22150	Standard Tractor Dual Circuit - 1975 and Up	3/8" NPT	3/8" NPT	5/16"-24 Thread 5/8" Length	RN10JP	-	N30099LA	2	-
KN22150X	Reman. Dual Circuit Foot Operated Valve	3/8" NPT	3/8" NPT	Studs Not Included	RN10JP	Plastic Bottom	N30099LA	2	304
KN22154	Standard Tractor Dual Circuit - 1975 and Up	3/8" NPT	3/8" NPT	M8 Thread 7/8" Length	RN10JP	-	N30099LR	2	-

**Haldex/Midland (New/Remanufactured)**

**Single or Dual Circuit – Pedal Attached**



**Features:**

- Features either a single or dual circuit foot valve with pedal attached.
- An easy way to replace the entire assembly.
- Interchanges with competitive models.

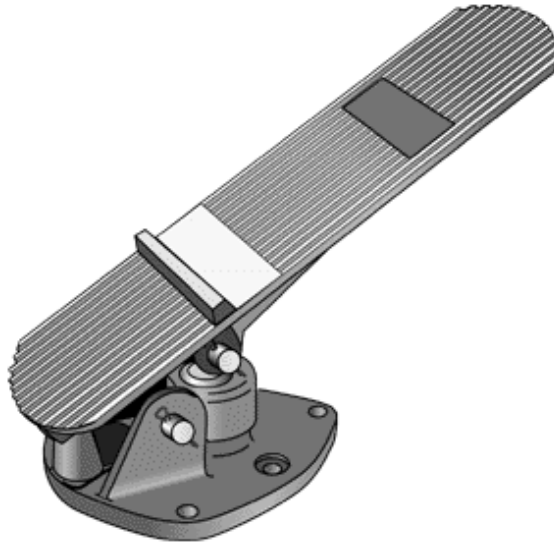
**Specifications:**

Approximate Weight – Single Circuit 4 lbs.  
 Approximate Weight – Dual Circuit 5 lbs.

SKU#	Product Description	Pedal Angle	Valve Included	OEM Part Number
KN22501	Dual Circuit with Pedal Attached	45°	KN22150	N30072HC
KN22511	Dual Circuit with Pedal Attached	27°	KN22150	N30072HA
KN22521	Dual Circuit with Pedal Attached	34°	KN22150	N30072HB
KN22600	Single Circuit with Pedal Attached	45°	KN22100	N30072FA
KN22610	Single Circuit with Pedal Attached	27°	KN22100	N30072FC
KN22620	Single Circuit with Pedal Attached	34°	KN22100	N30072FB

## Haldex/Midland (New/Remanufactured)

### Aluminum Treadle



**Features:**

- A lightweight, strong pedal for brake application valves.
- Logo is cast in pedal surface – won't wear off.
- Replaces most steel pedals on today's vehicles.
- Interchanges with most competitive models.

**Specifications:**

**Approximate Weight** 2.2 lbs.

SKU#	Product Description	Pedal Angle	OEM Part Number
SN4017A	Aluminum Treadle for Brake Application Valves	45°	N30056BR
SN4017E	Aluminum Treadle for Brake Application Valves	34°	N30056BX
SN4017F	Aluminum Treadle for Brake Application Valves	27°	N30056BW