

# 2010

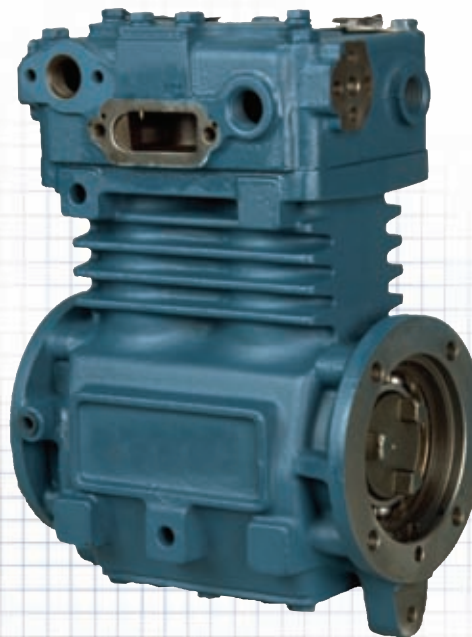
L00118W

2/10

**Haldex**



## Compressors



[www.haldex.com](http://www.haldex.com)

This page intentionally left blank

## 10 – Compressors

<b>Table of Contents</b>	10-1
<b>Part Number Index</b>	10-5
<b>General Information</b>	
Foreword	10-8
General Information	10-9
General Information	10-10
<b>Base Mount</b>	
HalDEX/Midland (New and Remanufactured)	
EL740 Base Mount	10-11
EL850 4-Hole Base Mount, Water Or Air Cooled	10-12
EL1300 4-Hole Base Mount	10-13
EL1600 4-Hole Base Mount	10-14
EL1300/EL1600 4-Hole Base Mount, Belt Drive, Base Oil	10-15
Competitive (Remanufactured)	
Bendix® TF400 4-Hole Base Mount	10-16
Bendix® TF500/TF600 4-Hole Base Mount	10-17
Bendix® TF501 (Style A, B and No Base) Base Mount	10-18
Bendix® TF501/TF700 4-Hole Base Mount	10-19
Bendix® TF550 4-Hole Base Mount	10-20
Bendix® BX2150 4-Hole Base Mount	10-21
Bendix® 6-Hole Base Mount	10-22
Bendix® Base Mount – Twin	10-23
Bendix® Side Mount	10-24
Bendix® Slant Mount	10-25
<b>Caterpillar – Flange Mount</b>	
HalDEX/Midland (New and Remanufactured)	
EL740 2-Hole Flange Mount	10-26
EL1300/EL1600 Caterpillar 1673-74	10-27
EL1300 Caterpillar 3306 Engine	10-28
EL1300 Caterpillar 3406E Engine	10-29
EL1300 2-Hole Flange, Tapered Shaft	10-30
EL1300 3-Hole Flange	10-31
EL1600 3-Hole Flange	10-32
EL1300 3-Hole Flange, Spline Shaft	10-33
Competitive (Remanufactured)	
Bendix® BA921	10-34
Bendix® TF400	10-35
Bendix® TF500/TF600	10-36

# 10-COMPRESSORS

# Table of Contents

Bendix® TF501	10-37
Bendix® TF550/TF750	10-38
Bendix® TF700	10-40
Bendix® BX2150	10-41
<b>Cummins – Flange Mount</b>	
Haldex/Midland (New and Remanufactured)	
EL850 2-Hole Flange, Tapered Shaft, Water Or Air Cooled	10-42
EL1300/EL1600 2-Hole Flange, Tapered Shaft	10-43
EL1300/EL1600 Cummins In-Line Engines	10-44
Competitive (Remanufactured)	
WABCO	10-45
Bendix® TF500/TF600	10-46
Bendix® TF501/TF700	10-47
Bendix® TF550/TF750	10-48
Bendix® BX2150	10-49
Cummins/Holset Model SS296/SS296E/SS338E	10-50
Cummins/Holset Model SS296BE/SS296C/SS296CE/SS338CE	10-51
Cummins/Holset Model SS296ME/SS338ME	10-52
Cummins/Holset Model ST676	10-53
Cummins/Holset Model QE296/QE338	10-54
Cummins/Holset Model QE296B/QE338B/HD850B	10-55
Cummins/Holset Model QE296C/QE338C/HD850C	10-56
Cummins/Holset Model QE296M/QE338M	10-57
<b>Detroit Diesel – Flange Mount</b>	
Haldex/Midland (New and Remanufactured)	
EL1300 DDC 0°, 1° and 4°	10-58
EL1600 DDC 0°, 1° and 4°	10-59
EL1300/EL1600 41° DDC	10-60
EL1300/EL1600 45° DDC	10-61
EL1300/EL1600 50° DDC	10-62
EL1600 75° DDC	10-63
EL1300/EL1600 60-Series DDC	10-64
EL1300/EL1600 60-Series DDC, Thru-Drive	10-65
EL3200 DDC	10-66
Competitive (Remanufactured)	
Bendix® BA921	10-67
Bendix® DF596	10-68
Bendix® TF400/TF1000	10-69
Bendix® TF500	10-70
Bendix® TF501	10-71
Bendix® TF550/TF750	10-72

# Table of Contents

# 10-COMPRESSORS

Bendix® TF600	10-73
Bendix® TF700	10-74
<b>International – Flange Mount</b>	
Competitive (Remanufactured)	
BX2150 Bendix®	10-75
<b>Mack – Flange Mount</b>	
Haldex/Midland (New and Remanufactured)	
EL1300/EL1600 Mack 0° In-Line 6-Cylinder	10-76
EL3200 Mack In-Line, 6-Cylinder	10-77
Competitive (Remanufactured)	
WABCO	10-78
Bendix® TF500	10-79
Bendix® TF501/TF700	10-80
Bendix® TF550/TF750	10-81
Bendix® TF600	10-82
<b>Volvo – Flange Mount</b>	
Competitive (Remanufactured)	
Bendix® Volvo-GM Application	10-83
Bendix® Volvo-White Application	10-84
<b>Accessories</b>	
Governors	
Piston Type	10-85
Competitive (Remanufactured)	10-86
Air Cleaners	10-87
End Cap Repair Kit	10-88
Changeover Kits	
Intake Manifold	10-89
Discharge Manifold	10-90
Miscellaneous	10-91
Drive Gear Kits	10-92
Gaskets – Manifold	10-93
Gaskets – Mounting	10-94
Gaskets/Small Parts	
TF550/TF750	10-95
Model 7.4, EL740 or Model 12	10-96
EL850	10-97
EL1300 & EL1600	10-98
Gasket and Installation Kits	
Haldex/Midland Base Mount	10-99
Haldex/Midland Flange Mount	10-100
Competitive Base Mount	10-102

# 10-COMPRESSORS

# Table of Contents

Competitive Flange Mount	10-104
Service Kits	10-106
Connecting Rod and Bearing Kits	10-107
Piston and Ring Kits	10-108
Insert Kits	10-109
Head Assemblies	
EL850/EL1300/EL1600/EL3200	10-110
Bendix	10-111
Cummins/Holset Style	10-112
WABCO	10-113
Repair Kits	10-114
Unloader Assemblies and Kits	
Haldex/Midland Unloader Kits	10-115
Cummins/Holset Style Unloader Assemblies	10-116
Bendix®	10-117
Cummins/Holset Style	10-118
<b>Maintenance</b>	
Compressor Maintenance	10-119

# Part Number Index

# 10-COMPRESSORS

Part Number	Type	Page #	Part Number	Type	Page #	Part Number	Type	Page #	Part Number	Type	Page #
100696A	S	10-87	103278X	S	10-40	227409X	S	10-22	283506X	S	10-24
100696A	O	10-87	104039X	S	10-21	227410X	S	10-22	283513X	S	10-25
100696E	S	10-87	104041X	S	10-21	228141X	S	10-17	283514X	S	10-24
100696E	O	10-87	104042X	S	10-41	228366X	S	10-24	283515X	S	10-70
100783A	O	10-87	104103X	S	10-49	228443X	S	10-46	283533X	S	10-35
100783B	O	10-87	104607X	S	10-80	228479X	S	10-17	283577X	S	10-79
100783E	O	10-87	106268X	S	10-74	229077X	S	10-25	283585X	S	10-24
101012A	O	10-89	106985X	S	10-21	229078X	S	10-25	283690X	S	10-17
101142X	S	10-16	107023X	S	10-38	229154X	S	10-16	283692X	S	10-79
101158X	S	10-74	107221X	S	10-21	229525X	S	10-46	284010X	S	10-79
101242X	S	10-16	107296X	S	10-47	229990X	S	10-23	284106X	S	10-70
101256X	S	10-19	107506X	S	10-48	275317X	S	10-16	284307X	S	10-82
101558K	S	10-104	107507X	S	10-48	275491RX	S	10-86	284310X	S	10-36
101558K	S	10-102	107508X	S	10-38	275777X	S	10-70	284662X	S	10-79
101559K	S	10-102	107509X	S	10-38	275990X	S	10-17	284699X	S	10-46
101559K	S	10-104	107510X	S	10-81	276166X	S	10-69	284714X	S	10-46
101636X	S	10-74	107511X	S	10-81	276777X	S	10-69	284718X	S	10-46
102368BA	S	10-96	107512X	S	10-72	276778X	S	10-69	284790X	S	10-36
102368BA	O	10-96	107513X	S	10-72	276836X	S	10-17	284959X	S	10-46
102368BC	S	10-96	107514X	S	10-20	276961X	S	10-70	285108X	S	10-82
102368BC	O	10-96	107515K	S	10-117	276962X	S	10-70	285252X	S	10-70
102368BD	S	10-97	107526X	S	10-41	276974X	S	10-46	286254K	S	10-109
102368BD	O	10-97	107622X	S	10-72	277122X	S	10-79	286255K	S	10-109
102368BE	S	10-98	107623X	S	10-72	277694X	S	10-17	286256K	S	10-109
102368BE	O	10-98	107640K	S	10-108	277730X	S	10-36	286257K	S	10-109
102368BG	S	10-96	107641K	S	10-108	277731X	S	10-36	286526X	S	10-18
102368BG	O	10-96	107642K	S	10-108	277901X	S	10-79	286527X	S	10-18
102368BJ	S	10-96	107813X	S	10-72	278604X	S	10-79	286528RX	S	10-18
102368BJ	O	10-96	107866X	S	10-20	278605X	S	10-79	286528X	S	10-18
102368BK	O	10-98	107869X	S	10-81	278681X	S	10-70	286529RX	S	10-18
102368BL	S	10-97	107917X	S	10-38	279037X	S	10-24	286529X	S	10-18
102368BL	O	10-97	107981X	S	10-38	279068X	S	10-70	286530X	S	10-19
102368BM	S	10-96	108066X	S	10-20	279069X	S	10-70	286532X	S	10-19
102368BM	O	10-96	108110X	S	10-20	279356X	S	10-17	286533X	S	10-19
102368BP	S	10-98	108261X	S	10-49	279556X	S	10-79	286535X	S	10-22
102368BP	O	10-98	108269X	S	10-47	279614K	S	10-117	286536X	S	10-22
102368BR	O	10-98	108270X	S	10-47	279615K	S	10-117	286537X	S	10-22
102368BR	S	10-97	108273X	S	10-47	279712X	S	10-24	286538X	S	10-71
102368BR	O	10-97	108277X	S	10-20	279995X	S	10-36	286539X	S	10-71
102368BT	O	10-98	108557X	S	10-72	280369X	S	10-73	286540X	S	10-71
102368BV	S	10-93	108804X	S	10-48	280453X	S	10-17	286541X	S	10-71
102368BV	O	10-93	108847K	S	10-117	280511K	S	10-104	286542X	S	10-71
102368BW	O	10-93	108848K	S	10-117	280511K	S	10-102	286543X	S	10-71
102368BZ	O	10-93	108854X	S	10-49	280512K	S	10-102	286544X	S	10-80
102368C	O	10-98	108866X	S	10-81	280512K	S	10-104	286546X	S	10-37
102368CC	O	10-98	108869X	S	10-81	280556X	S	10-36	286550X	S	10-37
102368CD	O	10-94	108935X	S	10-83	280570X	S	10-73	286551X	S	10-37
102368CE	S	10-97	108937X	S	10-83	280602X	S	10-17	286552X	S	10-37
102368CE	O	10-97	108990X	S	10-38	280603X	S	10-17	286554X	S	10-47
102368CG	O	10-98	108992X	S	10-38	280604X	S	10-17	286555X	S	10-47
102368CH	S	10-94	109073X	S	10-47	280608X	S	10-82	286556X	S	10-24
102368CH	O	10-94	109079X	S	10-49	280609X	S	10-73	286557X	S	10-24
102368CJ	S	10-94	109088X	S	10-38	280610X	S	10-22	286558X	S	10-25
102368CJ	O	10-94	109111X	S	10-38	280611X	S	10-22	286560X	S	10-18
102368CK	S	10-94	109139X	S	10-38	280613X	S	10-17	286561X	S	10-25
102368CK	O	10-94	109142X	S	10-38	280622X	S	10-46	286562X	S	10-25
102368CL	S	10-94	109219X	S	10-75	280626X	S	10-46	286563X	S	10-84
102368CL	O	10-94	109251X	S	10-38	280774X	S	10-36	286564X	S	10-24
102368CM	S	10-94	109287X	S	10-38	281042X	S	10-70	286565X	S	10-24
102368CM	O	10-94	109382X	S	10-48	281157X	S	10-36	286566X	S	10-37
102368CN	S	10-94	109429X	S	10-72	281677X	S	10-73	286567X	S	10-18
102368CN	O	10-94	109430X	S	10-72	282010X	S	10-70	286574X	S	10-80
102368CV	S	10-94	109653X	S	10-48	282011X	S	10-73	286576X	S	10-22
102368CV	O	10-94	225516K	S	10-108	282013X	S	10-73	286578X	S	10-22
102368CW	S	10-94	225517K	S	10-108	282025X	S	10-36	286579X	S	10-71
102368CW	O	10-94	226722K	S	10-108	282076X	S	10-17	286580X	S	10-18
102368DA	S	10-93	226723K	S	10-108	282526K	S	10-108	286581X	S	10-71
102368DA	O	10-93	226724K	S	10-108	282527K	S	10-108	286582X	S	10-18
102368DB	S	10-98	227320X	S	10-17	282528K	S	10-108	286584X	S	10-37
102368DB	O	10-98	227321X	S	10-17	282586X	S	10-79	286585X	S	10-22
102374	O	10-98	227322X	S	10-17	282621X	S	10-79	286586X	S	10-18
102374A	O	10-98	227323X	S	10-17	282763K	S	10-109	286589X	S	10-18
102383	O	10-108	227326X	S	10-79	282764K	S	10-109	286591X	S	10-18
102594	O	10-90	227331X	S	10-22	282765K	S	10-109	286592X	S	10-18
102598X	S	10-22	227332X	S	10-22	282766K	S	10-109	286595X	S	10-18
102698X	S	10-18	227400X	S	10-16	282767K	S	10-109	286620X	S	10-80
102734X	S	10-24	227401X	S	10-16	282768K	S	10-109	286623X	S	10-71
102742X	S	10-37	227402X	S	10-16	282769K	S	10-109	289114K	S	10-108
102953X	S	10-80	227403X	S	10-16	282770K	S	10-109	289115K	S	10-108
102989X	S	10-22	227406X	S	10-16	282928X	S	10-70	289116K	S	10-108
103274X	S	10-37	227407X	S	10-16	283505X	S	10-25	289262X	S	10-74

Type "O" = OEM P/N, Type "S" = Service P/N

If OEM part # is not found on page listed, refer to the MCR for applicable cross reference.

# 10-COMPRESSORS

# Part Number Index

Part Number	Type	Page #	Part Number	Type	Page #	Part Number	Type	Page #	Part Number	Type	Page #
289336X	S	10-40	3559591X	S	10-112	EL13050X	S	10-58	KN19010	S	10-87
289339X	S	10-47	400113C	O	10-110	EL13051X	S	10-58	KN19040	S	10-87
289340X	S	10-80	5001940X	S	10-38	EL13053X	S	10-65	KN7010X	S	10-11
289342X	S	10-74	5002178X	S	10-48	EL13060	S	10-15	KN7020X	S	10-11
289347X	S	10-84	5002713X	S	10-38	EL13060X	S	10-15	KN7041X	S	10-11
289348X	S	10-80	5002865GX	S	10-81	EL13070X	S	10-58	KN7190X	S	10-26
289349X	S	10-40	5002865X	S	10-81	EL13080X	S	10-27	KN85020	S	10-12
289350X	S	10-19	5002868GX	S	10-81	EL13081X	S	10-31	KN85020X	S	10-12
289439K	S	10-108	5002868X	S	10-81	EL13090X	S	10-60	KN85021	S	10-12
289440K	S	10-108	5004118X	S	10-38	EL13100X	S	10-62	KN85022X	S	10-12
289441K	S	10-108	5004613X	S	10-38	EL13111X	S	10-76	KN86020	S	10-12
289688X	S	10-16	5004614X	S	10-38	EL13112X	S	10-76	KN86020X	S	10-12
289744X	S	10-40	5005790X	S	10-38	EL13120RX	S	10-31	KNT17090	S	10-110
289823X	S	10-16	5005875X	S	10-68	EL13120X	S	10-31	KNT17090X	S	10-110
289915X	S	10-74	5008249X	S	10-38	EL13151	S	10-28	KNT17300	S	10-110
289924X	S	10-22	5008557AK	S	10-117	EL13151RX	S	10-28	KNT17300X	S	10-110
289925GX	S	10-74	5010806X	S	10-34	EL13151X	S	10-28	KNT17400	S	10-110
289925X	S	10-74	5010824X	S	10-67	EL13160X	S	10-61	KNT17400X	S	10-110
289929K	S	10-108	5011016X	S	10-38	EL13170X	S	10-31	KNT85230	S	10-42
289930K	S	10-108	5012533X	S	10-34	EL13200RX	S	10-31	KNT85230X	S	10-42
289931K	S	10-108	5013157X	S	10-72	EL13200X	S	10-31	KNT86230	S	10-42
289941GX	S	10-74	5013830X	S	10-72	EL13220X	S	10-43	KNT86230RX	S	10-42
289941X	S	10-74	5014428X	S	10-34	EL13280X	S	10-30	KNT86230X	S	10-42
289964X	S	10-74	5016415K	S	10-91	EL13301X	S	10-33	N11728MB	S	10-98
298715K	S	10-95	505249G	S	10-92	EL13312X	S	10-64	N11728MB	O	10-98
298718X	S	10-111	550010K	S	10-108	EL13330X	S	10-29	N12106W	O	10-106
3018527X	S	10-50	550020K	S	10-108	EL14050	S	10-66	N13799K	O	10-115
3018543X	S	10-50	550030K	S	10-108	EL14111X	S	10-77	N15778	O	10-96
3047440X	S	10-50	550040K	S	10-108	EL16020	S	10-14	N30190AA	O	10-85
3048680X	S	10-53	750010K	S	10-108	EL16020X	S	10-14	N30190AP	O	10-85
3049186X	S	10-50	750020K	S	10-108	EL16040X	S	10-44	N30190AT	O	10-85
3558000X	S	10-52	750030K	S	10-108	EL16050X	S	10-59	N30190AW	O	10-85
3558005X	S	10-51	750040K	S	10-108	EL16051X	S	10-59	N30190CA	O	10-85
3558006X	S	10-51	9111535100X	S	10-45	EL16053X	S	10-65	N30190CC	O	10-85
3558020X	S	10-50	9111535200X	S	10-45	EL16060	S	10-15	N30190DA	O	10-85
3558021X	S	10-51	9111535300X	S	10-45	EL16060X	S	10-15	N30190DE	O	10-85
3558022X	S	10-51	9111535313X	S	10-45	EL16070X	S	10-59	N30190DF	O	10-85
3558029X	S	10-52	9111535330X	S	10-45	EL16072X	S	10-59	N30190DG	O	10-85
3558042X	S	10-52	9111535400X	S	10-78	EL16080X	S	10-27	N30190DH	O	10-85
3558043X	S	10-52	9111535410X	S	10-78	EL16090X	S	10-60	N30190DJ	O	10-85
3558044X	S	10-50	9111539202X	S	10-113	EL16100X	S	10-62	N30190G	O	10-85
3558045X	S	10-50	9111539212X	S	10-113	EL16111X	S	10-76	N30190H	O	10-85
3558049X	S	10-55	9111539312X	S	10-113	EL16112X	S	10-76	N50013D	O	10-32
3558050X	S	10-55	9111545000X	S	10-45	EL16120X	S	10-32	N50028A	O	10-66
3558051X	S	10-56	9111549202X	S	10-113	EL16160	S	10-61	N7002	O	10-13
3558052X	S	10-56	BN144A	S	10-102	EL16160X	S	10-61	N7002	O	10-15
3558068X	S	10-57	BN144B	S	10-102	EL16200X	S	10-32	N7002A	O	10-13
3558072X	S	10-54	BN144C	S	10-102	EL16250X	S	10-63	N7002AA	O	10-13
3558074X	S	10-54	BN144D	S	10-102	EL16280	S	10-32	N7002AC	O	10-13
3558075X	S	10-57	BN144E	S	10-104	EL16312X	S	10-64	N7002AE	O	10-13
3558076X	S	10-57	BN144F	S	10-104	EQ2604	S	10-108	N7002AH	O	10-13
3558077X	S	10-57	BN144G	S	10-104	EQ2606	S	10-108	N7002AJ	O	10-13
3558094X	S	10-56	BN144H	S	10-104	EQ2614	S	10-108	N7002AJ	O	10-13
3558095X	S	10-56	BN144J	S	10-102	EQ2616	S	10-108	N7002AL	O	10-13
3558097X	S	10-55	BN144K	S	10-102	EQ2620	S	10-107	N7002F	O	10-13
3558098X	S	10-55	BN144L	S	10-104	EQ2621	S	10-107	N7002G	O	10-13
3558113X	S	10-56	BN144M	S	10-104	EQ2622	S	10-107	N7002K	O	10-13
3558122X	S	10-56	BN144N	S	10-104	EQ2630	S	10-107	N7002N	O	10-13
3558186X	S	10-56	BN144R	S	10-102	EQ2631	S	10-107	N7002P	O	10-13
3558189X	S	10-56	BN144S	S	10-102	EQ2632	S	10-107	N7002R	O	10-13
3558204X	S	10-51	BN144T	S	10-104	EQ2640	S	10-108	N7002T	O	10-13
3558206X	S	10-55	BN144V	S	10-104	EQ2650	S	10-108	N7002Z	O	10-13
3558208X	S	10-55	BN144X	S	10-104	EQ2670	S	10-108	N7006	O	10-15
3558211X	S	10-55	BN144Y	S	10-104	EQ2672	S	10-108	N7015	O	10-28
3558218X	S	10-55	BN144Z	S	10-104	KN17091X	S	10-110	N7202	O	10-14
3558220X	S	10-55	E172000	S	10-98	KN17092X	S	10-110	N7202C	O	10-14
3559545GK	S	10-114	E172001	S	10-98	KN17500	S	10-91	N7202D	O	10-14
3559545K	S	10-114	E172002	S	10-93	KN17501	S	10-91	N7202H	O	10-14
3559546K	S	10-118	E172003	S	10-93	KN17503	S	10-91	N7206	O	10-15
3559547GK	S	10-114	E172004	S	10-98	KN17504	S	10-91	N7216	O	10-15
3559547K	S	10-114	E172005	S	10-94	KN18011	S	10-115	N7216	O	10-61
3559551K	S	10-114	E172006	S	10-98	KN18530	S	10-85	N7502	O	10-12
3559553K	S	10-118	E172051	S	10-98	KN18530RX	S	10-85	N7502A	O	10-12
3559555K	S	10-114	EL13020	S	10-13	KN18530X	S	10-85	N7502B	O	10-12
3559568K	S	10-118	EL13020X	S	10-13	KN18531	S	10-85	N7502C	O	10-12
3559569GK	S	10-114	EL13021X	S	10-13	KN18531X	S	10-85	N7502D	O	10-12
3559570X	S	10-112	EL13022	S	10-13	KN18532	S	10-85	N7502E	O	10-12
3559571X	S	10-116	EL13022X	S	10-13	KN18534	S	10-85	N7502E	O	10-12
3559576K	S	10-114	EL13023	S	10-13	KN18534X	S	10-85	N7502K	O	10-12
3559582X	S	10-116	EL13023X	S	10-13	KN18536	S	10-85	N7602	O	10-12
3559586X	S	10-116	EL13040X	S	10-44	KN19000	S	10-87	N7602A	O	10-12

Type "O" = OEM P/N, Type "S" = Service P/N

If OEM part # is not found on page listed, refer to the MCR for applicable cross reference.



# Part Number Index

# 10-COMPRESSORS

Part Number	Type	Page #	Part Number	Type	Page #	Part Number	Type	Page #	Part Number	Type	Page #
N7602B	O	10-12	SN144AA	S	10-99						
N7602C	O	10-12	SN144AB	S	10-99						
N7602D	O	10-12	SN144ABA	S	10-99						
N7602H	O	10-12	SN144AC	S	10-100						
N7602J	O	10-12	SN144AM	S	10-100						
N7602K	O	10-12	SN144AP	S	10-100						
N7623V	O	10-42	SN144B	S	10-100						
NT7002AA	O	10-13	SN144BA	S	10-100						
NT7002AB	O	10-13	SN144BA	O	10-100						
NT7002AM	O	10-13	SN144BD	S	10-100						
NT7002AP	O	10-13	SN144BE	S	10-100						
NT7002AR	O	10-13	SN144C	S	10-100						
NT7002AS	O	10-13	SN144D	S	10-99						
NT7002AT	O	10-13	SN144E	S	10-100						
NT7002AV	O	10-13	SN144F	S	10-100						
NT7002AV	O	10-13	SN144G	S	10-100						
NT7002W	O	10-13	SN144H	S	10-100						
NT7015A	O	10-28	SN144J	S	10-100						
NT7015B	O	10-28	SN144K	S	10-100						
NT7015D	O	10-28	SN144L	S	10-100						
NT7202F	O	10-15	SN144M	S	10-100						
NT7202G	O	10-14	SN144N	S	10-100						
NT7202J	O	10-14	SN144X	S	10-100						
NT7215	O	10-28	SN151	S	10-106						
NT7228A	O	10-32	SN151	O	10-106						
NT7228C	O	10-32	SN151A	S	10-106						
NT7305	O	10-66	SN161	S	10-106						
NT7502J	O	10-12	SN161	O	10-106						
NT7523	O	10-42	SN3072BM	S	10-92						
NT7523	O	10-42	SN3072BM	O	10-92						
NT7523A	O	10-42	SN3072BN	S	10-92						
NT7523B	O	10-42	SN3072BN	O	10-92						
NT7523C	O	10-42	SN3072BP	S	10-92						
NT7523D	O	10-42	SN3072BP	O	10-92						
NT7523E	O	10-42	SN3072BR	S	10-92						
NT7523F	O	10-42	SN3072BR	O	10-92						
NT7523G	O	10-42	SN3072BS	S	10-92						
NT7523J	O	10-42	SN3072BS	O	10-92						
NT7523K	O	10-42	SN3072BT	S	10-92						
NT7523K	O	10-42	SN3072BT	O	10-92						
NT7602A	O	10-12	SN3072BV	S	10-92						
NT7623	O	10-42	SN3072BV	O	10-92						
NT7623A	O	10-42	SN3072BW	S	10-92						
NT7623C	O	10-42	SN3072BW	O	10-92						
NT7623D	O	10-42	SN3072CA	S	10-92						
NT7623E	O	10-42	SN3072CA	O	10-92						
NT7623H	O	10-42	SN3502	S	10-91						
NT7623K	O	10-42	SN3502	O	10-91						
NT7623L	O	10-42	SN3711AA	S	10-89						
NT7623N	O	10-42	SN3711AA	O	10-89						
NT7623R	O	10-42	SN3711AB	S	10-89						
NT7623T	O	10-42	SN3711AB	O	10-89						
NT7623V	O	10-42	SN3711AC	S	10-89						
RN12106K	S	10-106	SN3711AC	O	10-89						
RN26A	S	10-107	SN3711AD	S	10-89						
RN26A	O	10-107	SN3711AD	O	10-89						
RN26AL	S	10-107	SN3711AH	S	10-90						
RN26DW	S	10-114	SN3711AH	O	10-90						
RN26DW	O	10-114	SN3711AJ	S	10-91						
RN26GV	S	10-99	SN3711AJ	O	10-91						
RN26GV	O	10-99	SN3711AK	S	10-89						
RN26GW	S	10-99	SN3711AK	O	10-89						
RN26GW	O	10-99	SN3711J	S	10-90						
RN26GX	S	10-100	SN3711J	O	10-90						
RN26GY	S	10-100	SN3711K	S	10-90						
RN26GY	O	10-100	SN3711K	O	10-90						
RN26GZ	S	10-100	SN3711L	S	10-90						
RN26HA	S	10-100	SN3711L	O	10-90						
RN26HA	O	10-100									
RN26HH	S	10-88									
RN26JG	S	10-99									
RN26JG	O	10-99									
RN26JH	S	10-100									
RN33C	S	10-115									
RNT26	S	10-114									
RNT26	O	10-114									
RNT26A	S	10-115									
RNT26JA	S	10-114									
RNT26JB	S	10-115									
SN144	S	10-99									
SN144A	S	10-99									

Type "O" = OEM P/N, Type "S" = Service P/N

If OEM part # is not found on page listed, refer to the MCR for applicable cross reference.

## PURPOSE OF THIS SECTION

This section is designed as a reference for Haldex Commercial Vehicle Systems new and remanufactured air brake system components and accessories, sold under the Haldex and Midland product names. Products described include all pertinent information needed to replace an OEM installed component or to help design an original installation. If there is a service number for a given part, it is noted in the product number table.

## DESIGN FLEXIBILITY

The products presented in this section are described by function and usage. Technical data and mounting configurations are also provided. Throughout this section, reference is made to numerous specific OEM applications. This section is not, however, intended to be a mutually exclusive listing of all part numbers and designs available. Should the need for a design not presented occur, contact your Haldex Commercial Vehicle Systems sales representative for additional information.

## WARRANTY INFORMATION

Proper service and repair are important to the safe, reliable operation of any motor vehicle. To prevent personal injury and/or vehicle damage, careful and cautious service procedures recommended by the vehicle manufacturer should be followed by anyone servicing a motor vehicle. For details on warranty of Haldex Commercial Vehicle air brake system components and accessories, refer to L20221 Aftermarket Warranty Policy. For warranty returns, use L90005 Warranty Adjustment Form. To obtain further information, visit the [www.haldex.com](http://www.haldex.com) website, select **North America/English** in drop down box then search for **Warranty**.

## ORDERING PROCEDURE

Most customers can place electronic orders on the [www.haldex.com](http://www.haldex.com) website by obtaining a username and password or by using EDI. For additional information about electronic orders or to place an order by phone or fax, contact Customer Service in U.S. or Canada at numbers listed below:

### U.S. Customer Service:

Phone: 800-643-2374  
 Fax: 800-533-1941  
 Mail: Commercial Vehicle Systems  
 Haldex Brake Products Corporation  
 Attn: Customer Service Department  
 10930 N. Pomona Ave.  
 Kansas City, MO 64153

### Canada Customer Service:

Phone: 800-267-9247  
 Fax: 519-621-3924  
 Mail: Commercial Vehicle Systems  
 Haldex Limited  
 Canadian Distribution Centre  
 Attn: Customer Service Department  
 500 Pinebush Road, Unit 1  
 Cambridge, Ontario N1T 0A5

## IMPORTANT NOTICE

The data listed herein is correct to the best of Commercial Vehicle Systems knowledge and belief, having been compiled from reliable and official sources of information. However, COMMERCIAL VEHICLE SYSTEMS CANNOT ASSUME ANY RESPONSIBILITY for possible error or misapplication of the product. Final determination of the suitability of the products for the use contemplated by the Buyer is the sole responsibility of the Buyer. Commercial Vehicle Systems shall have no responsibility in connection with this suitability. It is not our intention to imply that any of the components in this catalog in connection with an engine make or model are made by any engine manufacturer.

Copyright 2010  
 Commercial Vehicle Systems  
 Haldex Brake Products Corporation  
 10930 N. Pomona Ave.  
 Kansas City, MO 64153

All rights reserved.

Materials may only be reproduced with written permission of Commercial Vehicle Systems.

## **How to Use This Section**

This section is designed as a reference for Haldex, Midland and competitive compressors, compressor accessories, and service related items. The products in this section are described with application, porting and mounting variations.

## **Product Description**

The air compressor is the heart of an air brake system. The compressor supplies the air pressure required for controlling the brakes on air braked vehicles. Original equipment units are available to fit virtually all engine configurations. Many units are available in new or reman exchange. All new compressors can either be naturally aspired or turbocharged.

## **Remanufactured Compressors**

Air compressors with an "X" after the service number indicate a reman unit.

Example: New Service Part Number: KN85020

Remanufactured Part Number: KN85020X

## EL850 Compressor

Single cylinder air compressor with a rated displacement of 8.5 CFM (Cubit Feet per Minute) at 1250 rpm.

- Offered in air cooled or water cooled versions and accommodates belt-driven or gear-driven mounting requirements for wide range of gasoline and diesel engines.
- Built to FMVSS-121 criteria for medium and heavy duty vehicles.
- Lightweight and compact allowing for easy installation.
- Head can be rotated in 90 increments, allowing four porting options.
- Better buy for mid-range applications. For quality, for performance, for reduced operating costs, specify the EL850.

## EL1300 Compressors

- Recognized by fleet operators as the new line haul standard for air braked vehicles
- Water cooled, two-cylinder, reciprocating piston-type compressor is designed to provide efficient performance with maximum durability for extended life.
- Compatible with most engine configurations and are interchangeable with competitive mounting and plumbing patterns.
- Head can be rotated 180, allowing two porting options.

## EL1600 Compressors

- Identical benefits of the EL1300 compressor with increased stroke achieved by increasing the crankshaft throw.
- Height of compressor increased by .19 inches.
- High-capacity performer. Valuable option for operations that require above normal air supplies such as bottom dumps, doubles operations, loggers, and bus operations.

## EL3200 Compressors

- Designed for use on vehicles with high air volume requirement due to special accessory equipment requirements beyond the air brake system.
- To achieve high air volume requirement, compressor uses two twin-cylinder EL1600 air compressors assembled in-line.
- Special intake and exhaust manifold assemblies are provided to simplify installation.

### **EL1300/1600/3200/850 SPECIFICATIONS**

	<b>EL850</b>	<b>EL1300</b>	<b>EL1600</b>	<b>EL3200</b>
Bore (inches diameter).....	3.15	2.75	2.75	2.75
Stroke (inches).....	1.50	1.50	1.87	1.87
Turbo-Charge Pressure (Max PSI).....	25	35	35	35
Rated Displacement @ 1250 RPM (CFM)..	8.5	12.9	16.1	32.2

Compressors are listed by mounting or engine application. The head on any Haldex or Midland compressor may be rotated unless otherwise noted. When determining inlet port location, always point crankshaft towards you.

**Haldex/Midland (New and Remanufactured)**

**EL740 Base Mount**



**Features:**

- Pulley drive.

**Specifications:**

**Approximate Weight** 32 lbs.

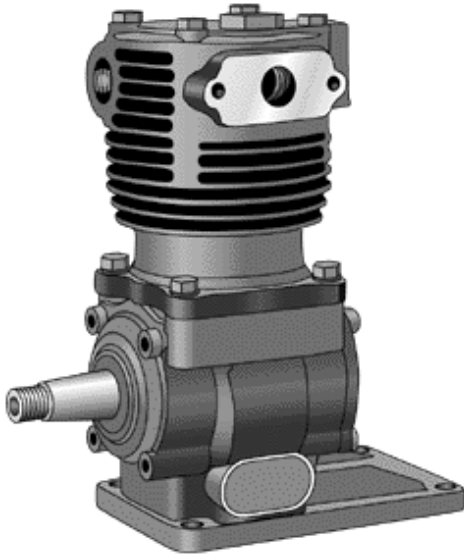
**Notes:**

- 1) Port orientation viewed from front.
- 2) See Accessories for Compressor Kits.

SKU#	Product Description	Cooling	Inlet Port	Outlet Port	Discharge Type	Notes	Core Group
KN7010X	Remanufactured 4-Hole, Base Mount	Air	Right	Right	Flange	Base Oil Option	700
KN7020X	Remanufactured 4-Hole, Base Mount	Air	Left	Left	Flange	Base Oil Option	700
KN7041X	Remanufactured 4-Hole, Base Mount	Air/Water	Left	Left	Flange	Special Bottom Plate For Ford	700

Haldex/Midland (New and Remanufactured)

EL850 4-Hole Base Mount, Water Or Air Cooled



Torque Nut to 80–100 ft. lbs

Features:

- Belt Drive
- End Cap Oil Feed
- Base Oil Drain

Specifications:

<b>Overall Height</b>	11.00 in
<b>Overall Width</b>	4.78 in.
<b>Overall Length</b>	10.08 in.
<b>External Shaft Length</b>	2.22 in.
<b>Bore Diameter</b>	3.15 in.
<b>Stroke</b>	1.50 in.
<b>Rated Displacement</b>	8.5 CFM @ 1250 RPM
<b>Approximate Weight</b>	24 lbs.

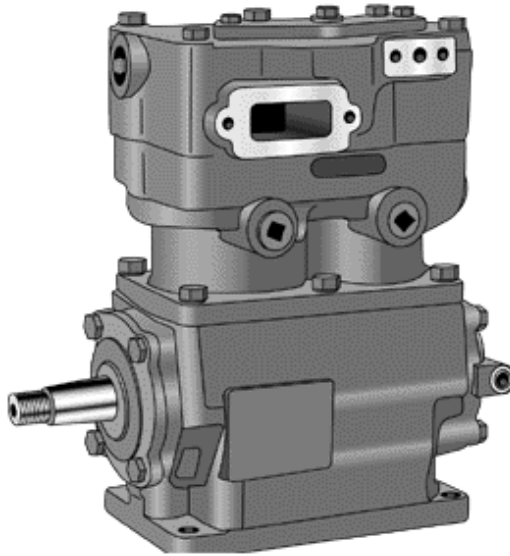
Notes:

- 1) Changeover/Installation Instructions – L31043
- 2) Service/Repair Instructions For Cylinder Head – L31059.
- 3) Service Units are furnished without governors and manifolds and may require head rotation before installation or changeover.
- 4) Thru-drive units must not exceed 65 ft. lbs. of transmitted torque.
- 5) Port orientation viewed from front.
- 6) See Accessories for Compressor Kits.

SKU#	Product Description	Intake Manifold Position	Discharge Type	Application	OEM Part Number	Core Group
KN85020	EL850 4-Hole Base Mount	Right	Front-Threaded	Air Cooled Single Cylinder	N7502 Exact Replacement	-
KN85020X	Reman. EL850 4-Hole Base Mount	Right	Front-Threaded	Air Cooled Single Cylinder	N7502 Exact Replacement	850
KN85021	EL850 4-Hole Base Mount	Left	-	GM – Air Cooled	N7602D	-
KN85022X	Reman. EL850 4-Hole Base Mount	Rear	Rear-Threaded	Air Cooled Single Cylinder	N7502C	850
KN86020	EL850 4-Hole Base Mount	Right	Front-Threaded	Water Cooled Single Cylinder	N7602 Exact Replacement	-
KN86020X	Reman. EL850 4-Hole Base Mount	Right	Front-Threaded	Water Cooled Single Cylinder	N7602 Exact Replacement	850

Haldex/Midland (New and Remanufactured)

EL1300 4-Hole Base Mount



Torque Nut to 80–100 ft. lbs.

Features:

- Belt Drive
- End Cap Oil Feed
- Base Oil Drain
- Top/Flange Discharge Type

Specifications:

<b>Overall Height</b>	11.42 in.
<b>Overall Width</b>	4.79 in.
<b>Overall Length</b>	8.93 in.
<b>External Shaft Length</b>	2.14 in.
<b>Bore Diameter</b>	2.75 in.
<b>Stroke</b>	1.50 in.
<b>Turbo-Charge Pressure</b>	35 Max PSI
<b>Rated Displacement</b>	13.0 CFM @ 1250 RPM
<b>Approximate Weight</b>	44 lbs.

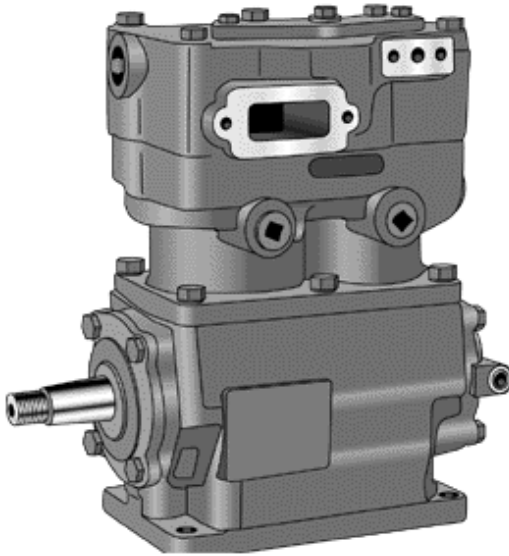
Notes:

- 1) EL13020 Changeover/Installation Instructions: L31040
- 2) EL13022 Changeover/Installation Instructions: L31024
- 3) Service Units are furnished without governors and manifolds and may require head rotation and end cap rotation before installation or changeover.
- 4) Thru-drive units must not exceed 65 ft. lbs. of transmitted torque.
- 5) Port orientation viewed from front.
- 6) See Accessories for Compressor Kits.

SKU#	Product Description	Head Rotation	Block Rotation	Notes	OEM Part Number	Core Group
EL13020	4-Hole Base Mount	Right	Right	High Capacity Replacement EL16020	N7002A Exact Replacement	-
EL13020X	Remanufactured 4-Hole Base Mount	Right	Right	High Capacity Replacement EL16020X	N7002A Exact Replacement	1301
EL13021X	Remanufactured 4-Hole Base Mount	Left	Left	-	-	1301
EL13022	4-Hole Base Mount	Left	Right	Ford, bottom cover with oil drain	N7002Z Exact Replacement	-
EL13022X	Remanufactured 4-Hole Base Mount	Left	Right	Ford, bottom cover with oil drain.	N7002Z Exact Replacement	1301
EL13023	4-Hole Base Mount	Right	Left	GM15060936	NT7002AS	-
EL13023X	Remanufactured 4-Hole Base Mount	Right	Left	-	NT7002AS	1301

Haldex/Midland (New and Remanufactured)

EL1600 4-Hole Base Mount



Torque Nut to 80–100 ft. lbs.

Features:

- Belt Drive
- End Cap Oil Feed
- Base Oil Drain
- Top/Flange Discharge Type

Specifications:

<b>Overall Height</b>	11.60 in.
<b>Overall Width</b>	4.79 in.
<b>Overall Length</b>	8.93 in.
<b>External Shaft Length</b>	2.14 in.
<b>Bore Diameter</b>	2.75 in.
<b>Stroke</b>	1.87 in.
<b>Turbo-Charge Pressure</b>	35 Max PSI
<b>Rated Displacement</b>	16.1 CFM @ 1250 RPM
<b>Approximate Weight</b>	44 lbs.

Notes:

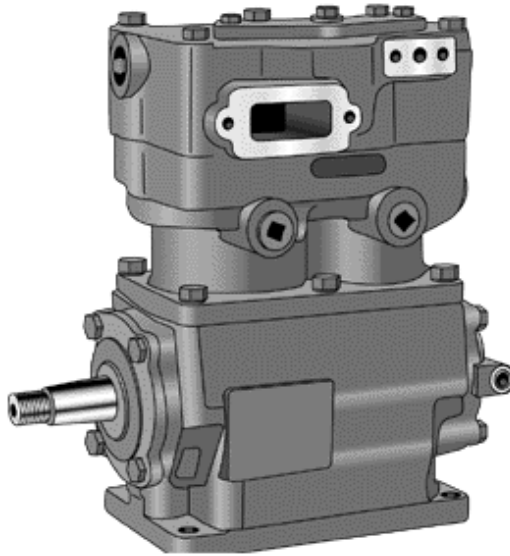
- 1) EL16020 Changeover/Installation Instructions: L31040
- 2) Service Units are furnished without governors and manifolds and may require head rotation and end cap rotation before installation or changeover.
- 3) Thru-drive units must not exceed 65 ft. lbs. of transmitted torque.
- 4) Port orientation viewed from front.
- 5) See Accessories for Compressor Kits.

SKU#	Product Description	Head Rotation	Block Rotation	Notes	OEM Part Number	Core Group
EL16020	4-Hole Base Mount	Right	Right	High Capacity	N7202 Exact Replacement	-
EL16020X	Remanufactured 4-Hole Base Mount	Right	Right	High Capacity	N7202 Exact Replacement	1601



**Haldex/Midland (New and Remanufactured)**

**EL1300/EL1600 4-Hole Base Mount, Belt Drive, Base Oil**



**Torque Nut to 80–100 ft. lbs.**

**Features:**

- Belt Drive
- Base Oil Feed
- Base Oil Drain
- Water Cooled

**Specifications:**

<b>Overall Height</b>	11.41 in. (EL1300) or 11.60 in. (EL1600)
<b>Overall Width</b>	4.84 in.
<b>Overall Length</b>	11.20 in.
<b>External Shaft Length</b>	2.14 in.
<b>Bore Diameter</b>	2.75 in.
<b>Stroke</b>	1.50 in. (EL1300) or 1.87 in. (EL1600)
<b>Turbo-Charge Pressure</b>	35 Max PSI
<b>Rated Displacement</b>	13.0 CFM (EL1300) or 16.1 CFM (EL1600) @1250 RPM
<b>Approximate Weight</b>	45 lbs.

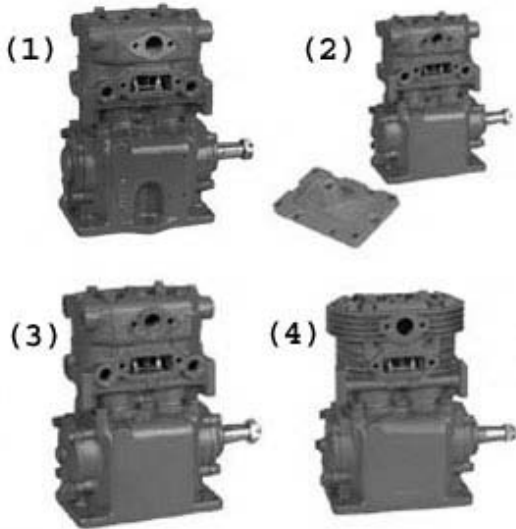
**Notes:**

- 1) Changeover/Installation instructions – L31030.
- 2) Service Units are furnished without governors and manifolds and may require head rotation and end cap rotation before installation or changeover.
- 3) Port orientation viewed from front.
- 4) See Accessories for Compressor Kits.

SKU#	Product Description	Head Rotation	Block Rotation	Discharge Type	Notes	OEM Part Number	Core Group
EL13060	4-Hole Base Mount	Right	Right	Top/Flange	High Capacity Replacement EL16060	N7006C	-
EL13060X	Remanufactured 4-Hole Base Mount	Right	Right	Top/Flange	Base Oil Feed Option	N7006C	1301
EL16060	4-Hole Base Mount	Right	Right	Top/Flange	End cap plugged High Capacity	N7206 Exact Replacement	-
EL16060X	Remanufactured 4-Hole Base Mount	Right	Right	Top/Flange	High Capacity	N7206 Exact Replacement	1601

Competitive (Remanufactured)

Bendix® TF400 4-Hole Base Mount



Features:

- Pulley Drive
- Flange Discharge Type

Specifications:

Approximate Weight 34 lbs.

Notes:

- 1) Port orientation viewed from rear.
- 2) See Accessories for Compressor Kits.

SKU#	Product Description	Cooling	Air Inlet	Air Outlet	Notes	Picture	Core Group
101142X	TF400 4-Hole Base Mount	Water	Left	Left	Wide Base	1	400B
101242X	TF400 4-Hole Base Mount	Water	Left	Left	Rear Oil Inlet	3	400B
227400X	TF400 4-Hole Base Mount	Water	Left	Left	Base Oil Inlet	3	400B
227401X	TF400 4-Hole Base Mount	Water	Right	Right	Base Oil Inlet	3	400B
227402X	TF400 4-Hole Base Mount	Water	Left	Left	Non Oiler	3	400B
227403X	TF400 4-Hole Base Mount	Water	Right	Right	Non Oiler	3	400B
227406X	TF400 4-Hole Base Mount	Air	Left	Left	-	4	400B
227407X	TF400 4-Hole Base Mount	Air	Right	Right	-	4	400B
229154X	TF400 4-Hole Base Mount	Air	Left	Left	with Ball	4	400B
275317X	TF400 4-Hole Base Mount	Water	Left	Left	-	3	400B
289688X	TF400 4-Hole Base Mount	Water	Right	Right	Bottom Plate, Base Drain	2	400B
289823X	TF400 4-Hole Base Mount	Water/Air	Left	Left	-	-	400B

Competitive (Remanufactured)

Bendix® TF500/TF600 4-Hole Base Mount



Features:

- Pulley Drive

Specifications:

Approximate Weight 46 lbs.

Notes:

- 1) Port orientation viewed from rear.
- 2) See Accessories for Compressor Kits.

SKU#	Product Description	Cooling	Air Inlet	Air Outlet	Discharge Type	Notes	Core Group
227320X	TF500 4-Hole Base	Water	Left	Left	Flange	Base Oil Option	500A
227321X	TF500 4-Hole Base	Water	Right	Right	Flange	-	500A
227322X	TF500 4-Hole Base	Water	Right	Right	Flange	Base Oil Option	500A
227323X	TF500 4-Hole Base	Water	Left	Left	Flange	-	500A
228141X	TF500 4-Hole Base	Air	Left	Left	Flange	R & R Only Call for Availability	500A
228479X	TF500 4-Hole Base	Water	Left	Left	Flange	Thru-Drive Base Oil Option	500A
275990X	TF500 4-Hole Base	Water	Right	Right	Flange	Thru-Drive Base Oil Option	500A
276836X	TF500 4-Hole Base	Air	Right	Right	Flange	-	500A
277694X	TF500 4-Hole Base	Water	Left	Top	Threaded	-	500A
279356X	TF500 4-Hole Base	Water	Left	Left	Flange	Base Oil Option	500A
280453X	TF500 4-Hole Base	Water	Right	Top	Flange	R & R Only Call for Availability	500A
280602X	TF600 4-Hole Base	Water	Left	Left	Flange	Base Oil Option	500A
280603X	TF600 4-Hole Base	Water	Right	Right	Flange	-	500A
280604X	TF600 4-Hole Base	Water	Right	Right	Flange	Base Oil Option	500A
280613X	TF600 4-Hole Base	Water	Left	Left	Flange	-	500A
282076X	TF500 4-Hole Base	Water	Right	Top	Threaded	-	500A
283690X	TF500 4-Hole Base	Water	Left	Top	Threaded	Base Oil Option	500A

Competitive (Remanufactured)

Bendix® TF501 (Style A, B and No Base) Base Mount



Base Style A

Base Style B

Features:

- Pulley Drive
- Water and Air Cooled

Specifications:

Approximate Weight 40 lbs.

Notes:

- 1) Port orientation viewed from rear.
- 2) See Accessories for Compressor Kits.

SKU#	Product Description	Category	Air Inlet	Air Outlet	Discharge Type	Notes	Core Group
102698X	TF501 Base Mount	Base Style A	Left	Left	Flange	3 Front Cover Studs	501B
286526X	TF501 Base Mount	Base Style A	Left	Left	Flange	-	501B
286527X	TF501 Base Mount	Base Style A	Right	Right	Flange	-	501B
286528RX	TF501 Base Mount – CoreFree™	Base Style A	Left	Top	Threaded	-	-
286528X	TF501 Base Mount	Base Style A	Left	Top	Threaded	-	501B
286529RX	TF501 Base Mount – CoreFree™	Base Style A	Right	Top	Threaded	-	-
286529X	TF501 Base Mount	Base Style A	Right	Top	Threaded	-	501B
286560X	TF501 Base Mount	Base Style A	Left	Top	Threaded	4 Front Cover Studs	501B
286567X	TF501 Base Mount	No Base	Right	Top	Threaded	-	501B
286580X	TF501 Base Mount	No Base	Left	Left	Flange	-	501B
286582X	TF501 Base Mount	Base Style A	Left	Top	Threaded	3 Front Cover Studs	501B
286586X	TF501 Base Mount	Base Style A	Left	Left	Flange	-	501B
286589X	TF501 Base Mount	Base Style A	Right	Right	Flange	-	501B
286591X	TF501 Base Mount	Base Style B	Right	Right	Flange	Special Base Drain	501B
286592X	TF501 Base Mount	No Base	Right	Right	Flange	-	501B
286595X	TF501 Base Mount	Base Style B	Right	Top	Threaded	Special Base Drain	501B

**Competitive (Remanufactured)**

**Bendix® TF501/TF700 4-Hole Base Mount**



**Features:**

- Pulley Drive

**Notes:**

- 1) Port orientation viewed from rear.
- 2) See Accessories for Compressor Kits.

SKU#	Product Description	Cooling	Air Inlet	Air Outlet	Discharge Type	Approx. Weight	Notes	Core Group
101256X	TF700 4-Hole Base Mount	Water	Right	Right/Top	Optional Top or Left	46 lbs.	-	501B
286530X	TF501 4-Hole Base Mount	Water/Air	Left	Left	Flange	40 lbs.	Thru-Drive Base Oil Feed	501B
286532X	TF501 4-Hole Base Mount	Water/Air	Left	Top	Threaded	40 lbs.	Thru-Drive Base Oil Feed	501B
286533X	TF501 4-Hole Base Mount	Water/Air	Right	Right	Flange	40 lbs.	Thru-Drive Base Oil Feed	501B
289350X	TF700 4-Hole Base Mount	Water	Left	Left/Top	Optional Top or Left	46 lbs.	-	501B

Competitive (Remanufactured)

Bendix® TF550 4-Hole Base Mount



Features:

- Pulley Drive
- Water and Air Cooled

Specifications:

Approximate Weight 53 lbs.

Notes:

- 1) Port orientation viewed from rear.
- 2) See Accessories for Compressor Kits.

SKU#	Product Description	Air Inlet	Air Outlet	Discharge Type	Notes	Core Group
107514X	TF550 4-Hole Base Mount	Left	Top/Left	Threaded/Flange	-	550A
107866X	TF550 4-Hole Base Mount	Right	Top/Right	Threaded	Special Base For Ford	550A
108066X	TF550 4-Hole Base Mount	Left	Top/Left	Threaded	GMC 530	550A
108110X	TF550 4-Hole Base Mount	Left	Top/Left	Threaded	Navistar Studs	550A
108277X	TF550 4-Hole Base Mount	Left	Top/Left	Threaded	-	550A

**Competitive (Remanufactured)**

**Bendix® BX2150 4-Hole Base Mount**



**Features:**

- Pulley Drive
- Threaded Discharge

**Specifications:**

**Approximate Weight** 35 lbs.

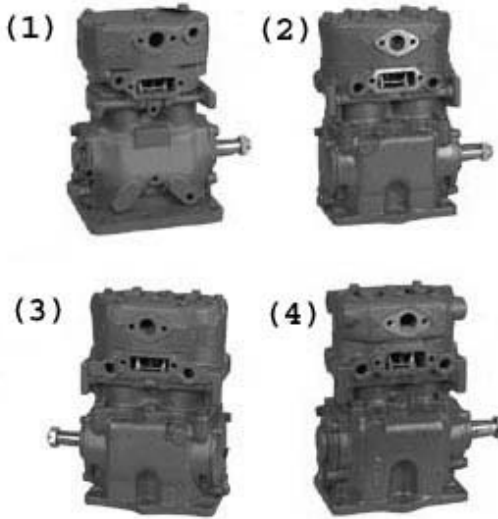
**Notes:**

- 1) Port orientation viewed from rear.
- 2) See Accessories for Compressor Kits.

SKU#	Product Description	Cooling	Air Inlet	Air Outlet	Notes	Core Group
104039X	BX2150 4-Hole Base Mount	Water/Air	Left	Optional	<b>May Have Old Style Head</b>	2150
104041X	BX2150 4-Hole Base Mount	Water/Air	Left	Optional	Low Profile Case <b>May Have Old Style Head</b>	2150
106985X	BX2150 4-Hole Base Mount	Water/Air	Left	Optional	Base Oil Drain New Style Head	2150
107221X	BX2150 4-Hole Base Mount	Water/Air	Left	Optional	New Style Head	2150

Competitive (Remanufactured)

Bendix® 6-Hole Base Mount



Features:

- Pulley Drive

Notes:

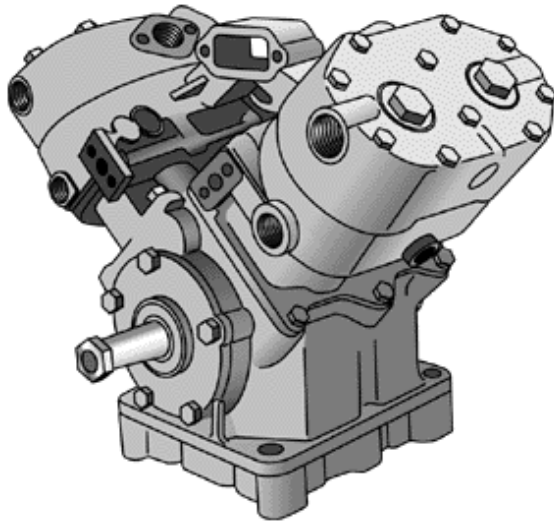
- 1) Port orientation viewed from rear.
- 2) See Accessories for Compressor Kits.

SKU#	Product Description	Cooling	Air Inlet	Air Outlet	Discharge Type	Approx. Weight	Notes	Picture	Core Group
102598X	TF700 6-Hole	Water	Left	Left	Optional Top or Side	46 lbs.	Base Oil Option	3	501B
102989X	TF501 6-Hole	Water/Air	Right	Right	Flange	40 lbs.	Wide Base for Ford	1	501B
227331X	TF500 6-Hole	Water	Left	Left	Flange	46 lbs.	Base Oil Option	3	500A
227332X	TF500 6-Hole	Water	Right	Right	Flange	46 lbs.	Base Oil Option	3	500A
227409X	TF400 6-Hole	Water	Left	Left	Flange	34 lbs.	Base Oil Option	4	400B
227410X	TF400 6-Hole	Water	Right	Right	Flange	34 lbs.	Base Oil Option	4	400B
280610X	TF600 6-Hole	Water	Left	Left	Flange	46 lbs.	Base Oil Option	3	500A
280611X	TF600 6-Hole	Water	Right	Right	Flange	46 lbs.	Base Oil Option	3	500A
286535X	TF501 6-Hole	Water/Air	Right	Right	Flange	40 lbs.	-	1	501B
286536X	TF501 6-Hole	Water/Air	Right	Top	Threaded	40 lbs.	-	1	501B
286537X	TF501 6-Hole	Water/Air	Left	Top	Threaded	40 lbs.	-	1	501B
286576X	TF501 6-Hole	Water/Air	Right	Right	Flange	40 lbs.	-	1	501B
286578X	TF501 6-Hole	Water/Air	Left	Left	Flange	40 lbs.	Oil Port Reversed	1	501B
286585X	TF501 6-Hole	Water/Air	Left	Left	Flange	40 lbs.	Wide Base for Ford	1	501B
289924X	TF700 6-Hole	Water	Right	Right/Top	Optional Top or Left	46 lbs.	Base Oil Option	2	501B



Competitive (Remanufactured)

Bendix® Base Mount – Twin



Features:

- Pulley Drive
- Water Cooled
- Flange Discharge Type

Specifications:

Approximate Weight 80 lbs.

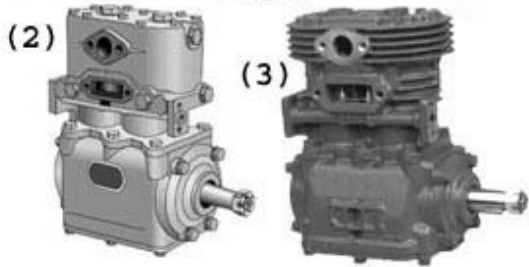
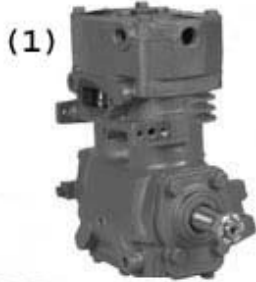
Notes:

- 1) Port orientation viewed from rear.
- 2) Intake and Discharge Manifold Not Supplied.
- 3) See Accessories for Compressor Kits.

SKU#	Product Description	Category	Air Inlet	Air Outlet	Discharge Type	Notes	Core Group
229990X	TF1000 Base Mount	Vertical Mount	Middle	Middle	Flange	Need one of each kit (BN144A and BN144C) for installation.	1001

Competitive (Remanufactured)

Bendix® Side Mount



Features:

- Pulley Drive

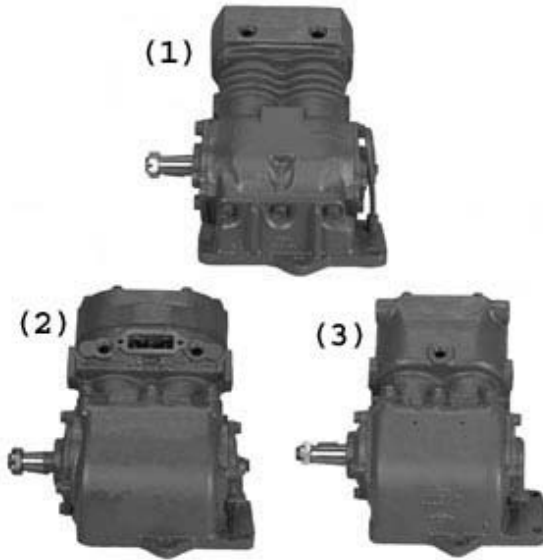
Notes:

- 1) Port orientation viewed from rear.
- 2) See Accessories for Compressor Kits.

SKU#	Product Description	Cooling	Air Inlet	Air Outlet	Discharge Type	Approx. Weight	Notes	Picture	Core Group
102734X	TF501 Side Mount-Right	Water	Left	Left	Flange	40 lbs.	Drain In Rear R & R Only	1	501B
228366X	TF500 Side Mount-Left	Water	Right	Right	Flange	46 lbs.	Ford Drain In Rear	2	500A
279037X	TF400 Side Mount-Left	Air	Right	Right	Flange	34 lbs.	Drain In Rear	3	400B
279712X	TF400 Side Mount	Air	Left	Left	Flange	34 lbs.	Drain In Rear	3	400B
283506X	TF400 Side Mount	Air	Left	Left	Flange	34 lbs.	Drain In Front	3	400B
283514X	TF500 Side Mount	Water	Left	Left	Flange	46 lbs.	Ford Drain In Front	2	500A
283585X	TF500 Side Mount	Water	Right	Right	Flange	46 lbs.	Ford Drain In Front	2	500A
286556X	TF501 Side Mount-Left	Water	Right	Right	Flange	40 lbs.	Drain In Front	1	501B
286557X	TF501 Side Mount-Left	Water	Right	Top	Threaded	40 lbs.	Drain In Front	1	501B
286564X	TF501 Side Mount-Right	Water	Left	Left	Flange	40 lbs.	No Bottom Plate R & R Only	1	501B
286565X	TF501 Side Mount-Left	Water	Right	Right	Flange	40 lbs.	Drain In Front	1	501B

Competitive (Remanufactured)

Bendix® Slant Mount



Features:

- Pulley Drive
- Threaded Discharge Type

Notes:

- 1) Port orientation viewed from rear.
- 2) See Accessories for Compressor Kits.

SKU#	Product Description	Cooling	Air Inlet	Air Outlet	Approx. Weight	Notes	Picture	Core Group
229077X	TF400 Slant Mount	Water	Left	Top	34 lbs.	Mount Right	3	400B
229078X	TF500 Slant Mount-Right	Water	Left	Top	46 lbs.	-	2	500A
283505X	TF400 Slant Mount	Water	Right	Top	34 lbs.	Mount Right	3	400B
283513X	TF500 Slant Mount-Right	Water	Right	Top	46 lbs.	-	2	500A
286558X	TF501 Slant Mount-Right	Water/Air	Right	Top	40 lbs.	Base Oil Option	1	501B
286561X	TF501 Slant Mount-Right	Water/Air	Left	Top	40 lbs.	Base Oil Option	1	501B
286562X	TF501 Slant Mount-Right	Water/Air	Left	Top	40 lbs.	Base Oil Option	1	501B

Haldex/Midland (New and Remanufactured)

EL740 2-Hole Flange Mount



**Features:**

- Engine Drive
- Top/Flange Discharge Type

**Specifications:**

**Approximate Weight** 31 lbs.

**Notes:**

- 1) Core Group 700.
- 2) Port orientation viewed from front.
- 3) See Accessories for Compressor Kits.

SKU#	Product Description	Cooling	Head Rotation	Block Rotation	Notes	Core Group
KN7190X	Remanufactured 2-Hole, Flange Mount – Caterpillar Application	Water	Right	Right	NT5506 – Head Rotatable	700

**Haldex/Midland (New and Remanufactured)**

**EL1300/EL1600 Caterpillar 1673-74**



**Features:**

- Flange Mount, Gear Drive
- Top/Flange Discharge Type
- End Cap Oil Feed
- Flange Oil Drain
- Water Cooled

**Specifications:**

<b>Overall Height</b>	12.00 in.
<b>Overall Width</b>	5.44 in.
<b>Overall Length</b>	11.31 in.
<b>External Shaft Length</b>	2.00 in.
<b>Bore Diameter</b>	2.75 in.
<b>Stroke</b>	1.50 in. (EL1300) and 1.87 in. (EL1600)
<b>Rated Displacement</b>	13.0 (EL1300). 16.1 (EL1600) CFM @ 1250 RPM
<b>Approximate Weight</b>	45 lbs.

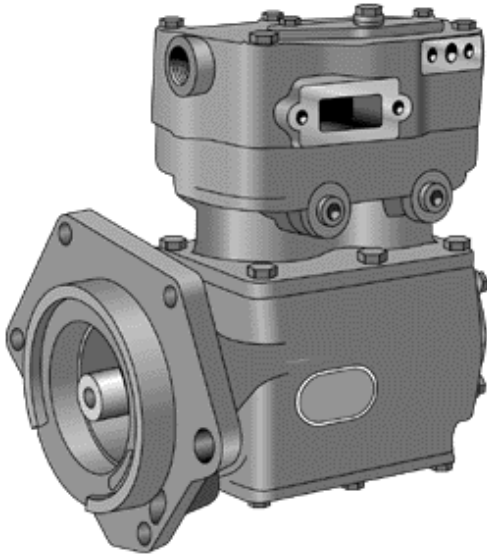
**Notes:**

- 1) Service Units are furnished without governors and manifolds and may require head rotation and end cap rotation before installation or changeover.
- 2) Port orientation viewed from front.
- 3) See Accessories for Compressor Kits.

SKU#	Product Description	Head Rotation	Block Rotation	Application	Notes	OEM Part Number	Core Group
EL13080X	Remanufactured Caterpillar Flange Mount	Right	Right	Caterpillar 1673-1674 Engines	Tapered Shaft	-	1300
EL16080X	Remanufactured Caterpillar 3-Hole Flange Mount	Right	Right	Caterpillar 1673-1674 Engines	Tapered Shaft	-	1600

Haldex/Midland (New and Remanufactured)

EL1300 Caterpillar 3306 Engine



Torque Nut to 80–100 ft. lbs

Features:

- Flange Mount, Gear Drive
- Top/Flange Discharge Type
- Flange Oil Drain
- End Cap Oil Feed
- Water Cooled

Specifications:

<b>Overall Height</b>	11.62 in.
<b>Overall Width</b>	8.34 in.
<b>Overall Length</b>	10.93 in.
<b>External Shaft Length</b>	.72 in.
<b>Bore Diameter</b>	2.75 in.
<b>Stroke</b>	1.50 in.
<b>Turbo-Charge Pressure</b>	35 Max PSI
<b>Rated Displacement</b>	13.0 CFM @ 1250 RPM
<b>Approximate Weight</b>	51 lbs.

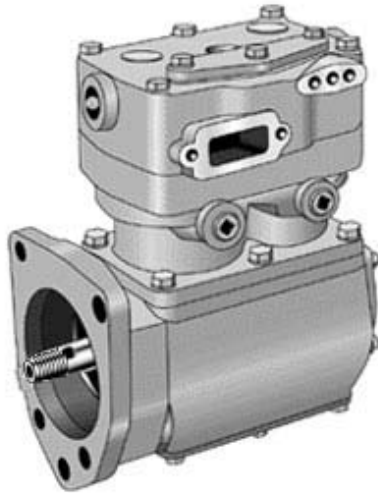
Notes:

- 1) Changeover/Installation Instructions: L31037
- 2) Service Units are furnished without governors and manifolds and may require head rotation and end cap rotation before installation or changeover.
- 3) Port orientation viewed from front.
- 4) See Accessories for Compressor Kits.

SKU#	Product Description	Head Rotation	Block Rotation	Application	OEM Part Number	Core Group
EL13151	Caterpillar Flange Mount	Right	Right	Caterpillar 3306 Engines	NT7015B Exact Replacement	–
EL13151RX	Remanufactured Caterpillar Flange Mount – CoreFree™	Right	Right	Caterpillar 3306 Engines Spline Shaft	NT7015B Exact Replacement	–
EL13151X	Remanufactured Caterpillar Flange Mount	Right	Right	Caterpillar 3306 Engines Spline Shaft	NT7015B Exact Replacement	1300

**Haldex/Midland (New and Remanufactured)**

**EL1300 Caterpillar 3406E Engine**



**Typical – Torque Nut to 80 – 100 ft. lbs.**

**Features:**

- End Cap Oil Feed
- Flange Oil Drain
- Flange Mount, Gear Drive

**Specifications:**

<b>Overall Height</b>	12.00 in.
<b>Overall Width</b>	5.44 in.
<b>Overall Length</b>	11.06 in.
<b>External Shaft Length</b>	1.26 in.
<b>Bore Diameter</b>	2.75 in.
<b>Stroke</b>	1.50 in.
<b>Turbo-Charge Pressure</b>	35 Max PSI
<b>Rated Displacement</b>	13.0 CFM @ 1250 RPM
<b>Approximate Weight</b>	46 lbs.

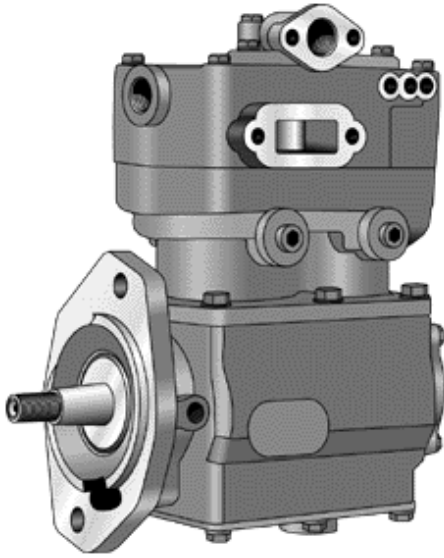
**Notes:**

- 1) Service Units are furnished without governors and manifolds and may require head rotation and end cap rotation before installation or changeover.
- 2) See Accessories for Compressor Kits.

SKU#	Product Description	Head Rotation	Block Rotation	Notes	OEM Part Number	Core Group
EL13330X	Remanufactured Caterpillar 3406E Engine, Straight Keyed Shaft	Right	Right	Straight Keyed Shaft	NT7033D	1300

Haldex/Midland (New and Remanufactured)

EL1300 2-Hole Flange, Tapered Shaft



Torque Nut to 80–100 ft. lbs.

Features:

- Flange Mount, Gear Drive
- Side Oil Feed
- Flange Oil Drain

Specifications:

<b>Overall Height</b>	12.51 in.
<b>Overall Width</b>	7.66 in.
<b>Overall Length</b>	11.80 in.
<b>External Shaft Length</b>	2.23 in.
<b>Bore Diameter</b>	2.75 in.
<b>Stroke</b>	1.50 in.
<b>Rated Displacement</b>	13.0 CFM @ 1250 RPM
<b>Approximate Weight</b>	54 lbs.

Notes:

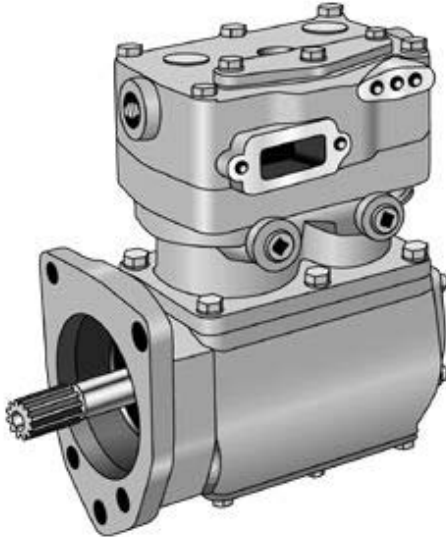
- 1) Changeover/installation instructions – L31050.
- 2) Service Units are furnished without governors and manifolds and may require head rotation and end cap rotation before installation or changeover.
- 3) Thru-drive units must not exceed 65 ft. lbs. of transmitted torque.
- 4) See Accessories for Compressor Kits.

SKU#	Product Description	Head Rotation	Block Rotation	Application	Notes	OEM #	Core Group
EL13280X	Remanufactured Caterpillar 2-Hole Flange Tapered Shaft	Right	Right	Caterpillar #145-2906	Thru-Drive	NT7028C	1300



**Haldex/Midland (New and Remanufactured)**

**EL1300 3-Hole Flange**



**Torque Nut to 80–100 ft. lbs.**

**Features:**

- Flange Mount, Gear Drive
- Top/Flange Discharge Type
- Flange Oil Drain
- End Cap Oil Feed

**Specifications:**

<b>Overall Height</b>	12.00 in.
<b>Overall Width</b>	5.44 in.
<b>Overall Length</b>	11.31 in.
<b>Bore Diameter</b>	2.75 in.
<b>Stroke</b>	1.50 in.
<b>Rated Displacement</b>	13.0 CFM @1250 RPM
<b>Approximate Weight</b>	45 lbs.

**Notes:**

- 1) EL13120/EL16120 Changeover/Installation Instructions: L31036
- 2) Service Units are furnished without governors and manifolds and may require head rotation and end cap rotation before installation or changeover.
- 3) Port orientation viewed from front.
- 4) See Accessories for Compressor Kits.

SKU#	Product Description	Head Rotation	Block Rotation	External Shaft Length	Application	Notes	OEM Part Number	Core Group
EL13081X	Reman. Flange Mount	Left	Left	2.00 in.	Caterpillar 3406B Engines	–	–	1300
EL13120RX	Reman. 3-Hole Flange Mount – CoreFree™	Right	Right	2.45 in.	Caterpillar 3406A Engines	Spline Shaft Base Drain	NT7012B Exact Replacement	–
EL13120X	Reman. 3-Hole Flange Mount	Right	Right	2.45 in.	Caterpillar 3406A Engines	Spline Shaft Base Drain	NT7012B Exact Replacement	1300
EL13170X	Reman. 3-Hole Flange Mount	Right	Right	1.65 in.	Older 3406 Engines	Tapered Shaft with Threaded Flange	NT7017	1300
EL13200RX	Reman. 3-Hole Flange Mount – CoreFree™	Right	Right	2.00 in.	Caterpillar 3406B Engine	Tapered Shaft with Threaded Flange	NT7020 Exact Replacement	–
EL13200X	Reman. 3-Hole Flange Mount	Right	Right	2.00 in.	Caterpillar 3406B Engine	Tapered Shaft with Threaded Flange	NT7020 Exact Replacement	1300

Haldex/Midland (New and Remanufactured)

EL1600 3-Hole Flange



Torque Nut to 80-100 ft. lbs.



EL16280 - CAT 3116

Features:

- Flange Mount, Gear Drive
- Top/Flange Discharge Type
- End Cap Oil Feed
- Flange Oil Drain

Specifications:

<b>Overall Height</b>	12.19 in.
<b>Overall Width</b>	5.44 in.
<b>Overall Length</b>	11.31 in.
<b>Bore Diameter</b>	2.75 in.
<b>Stroke</b>	1.87 in.
<b>Rated Displacement</b>	16.1 CFM @ 1250 RPM
<b>Approximate Weight</b>	45 lbs.

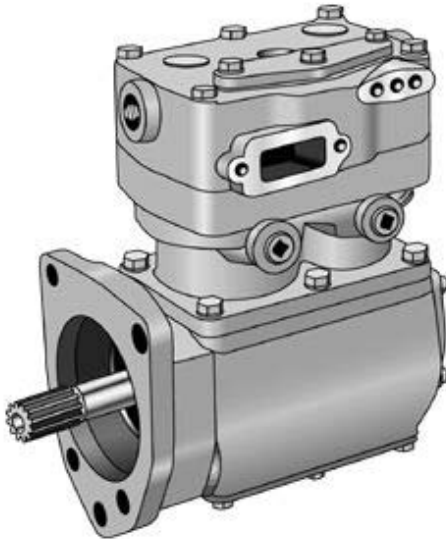
Notes:

- 1) EL13120/EL16120 Changeover/Installation Instructions: L31036
- 2) Service Units are furnished without governors and manifolds and may require head rotation and end cap rotation before installation or changeover.
- 3) Port orientation viewed from front.
- 4) See Accessories for Compressor Kits.

SKU#	Product Description	Head Rotation	Block Rotation	External Shaft Length	Application	Notes	OEM Part Number	Core Group
EL16120X	Reman. 3-Hole Flange Mount	Right	Right	2.45 in.	Caterpillar 3406A Engines	High Capacity	NT7212	1600
EL16200X	Reman. 3-Hole Flange Mount	Right	Right	2.00 in.	Caterpillar 3406B Engine	High Capacity Tapered Shaft Threaded Mounting Holes	NT7220 Exact Replacement	1600
EL16280	3-Hole Flange Mount	Right	Right	1.85 in.	Caterpillar 3116 Engine	Comes with Drive-Thru Adapter	NT7228A	-

**Haldex/Midland (New and Remanufactured)**

**EL1300 3-Hole Flange, Spline Shaft**



**Torque Nut to 150 ft. lbs.**

**Features:**

- Flange Mount, Spline Shaft
- Top/Flange Discharge Type
- End Cap Oil Feed
- Flange Oil Drain

**Specifications:**

<b>Overall Height</b>	12.02 in.
<b>Overall Width</b>	5.45 in.
<b>Overall Length</b>	9.79 in.
<b>External Shaft Length</b>	.86 in.
<b>Bore Diameter</b>	2.75 in.
<b>Stroke</b>	1.50 in.
<b>Rated Displacement</b>	13.0 CFM @ 1250 RPM
<b>Approximate Weight</b>	49 lbs.

**Notes:**

- 1) Core Group 1300.
- 2) Changeover/Installation Instructions – L31069.
- 3) Service units are furnished without governors and manifolds and may require head rotation and end cap rotation before installation or changeover.
- 4) Port orientation viewed from front.
- 5) See Accessories for Compressor Kits.

SKU#	Product Description	Head Rotation	Block Rotation	Application	OEM Part Number	Core Group
EL13301X	Remanufactured Caterpillar, 3-Hole Flange, Spline Shaft	Right	Right	Caterpillar 3176 Engine	NT7030 Exact Replacement	1300

Competitive (Remanufactured)

Bendix® BA921



Features:

- Engine Drive
- Water and Air Cooled

5012533X Shown

SKU#	Product Description	Air Inlet	Air Outlet	Approx. Weight	Notes	Core Group
5010806X	BA921 Flange Mount – Caterpillar C7, C9	Top	Rear	44 lbs.	2 Bolt Mount	921A
5012533X	BA921 Flange Mount – Caterpillar Acert, C15 and C18 Engines	Top	Side	45 lbs.	Mounting seal not included.	921A
5014428X	BA921 Flange Mount – Caterpillar C11, C13 Engines	Top	Side	46 lbs.	42 tooth, with oil pump, external oil return	921A

**Competitive (Remanufactured)**

**Bendix® TF400**



**Features:**

- Engine Drive
- Water Cooled

**Specifications:**

**Approximate Weight** 46 lbs.

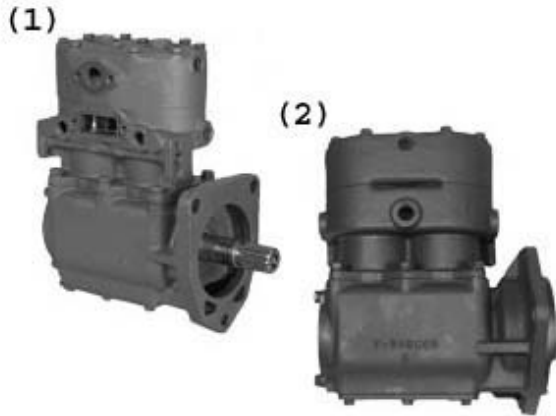
**Notes:**

- 1) Port orientation viewed from rear.
- 2) See Accessories for Compressor Kits.

SKU#	Product Description	Air Inlet	Air Outlet	Discharge Type	Notes	Core Group
283533X	TF400 Flange Mount – Caterpillar	Left	Left	Flange	Spline Shaft	400B

Competitive (Remanufactured)

Bendix® TF500/TF600



Features:

- Engine Drive
- Water Cooled
- Flange Discharge Type

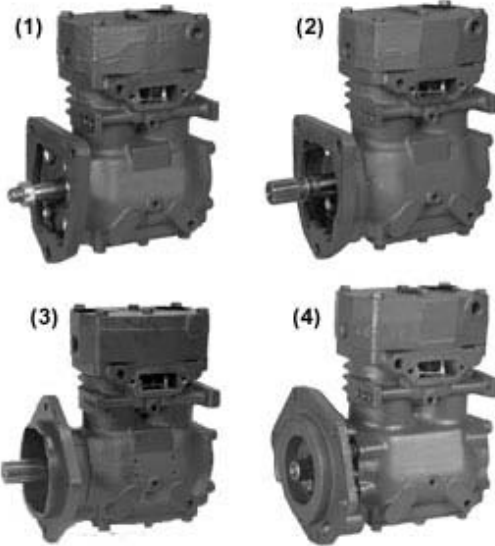
Notes:

- 1) Port orientation viewed from rear.
- 2) See Accessories for Compressor Kits.

SKU#	Product Description	Air Inlet	Air Outlet	Approx. Weight	Notes	Picture	Core Group
277730X	TF500 Flange Mount – Caterpillar	Right	Right	46 lbs.	Spline Shaft	1	500A
277731X	TF500 Flange Mount – Caterpillar	Left	Left	46 lbs.	Spline Shaft	1	500A
279995X	TF500 Flange Mount – Caterpillar 3406	Left	Left	46 lbs.	Tapered Shaft	1	500A
280556X	TF600 Flange Mount – Caterpillar 3406	Left	Left	46 lbs.	Tapered Shaft	1	500A
280774X	TF600 Flange Mount – Caterpillar 3406	Left	Left	46 lbs.	Tapered Shaft	1	500A
281157X	TF600 Flange Mount – Caterpillar 3406	Right	Right	46 lbs.	Tapered Shaft	1	500A
282025X	TF500 Flange Mount – Caterpillar	Left	Left	46 lbs.	Spline Shaft R & R only	1	500A
284310X	TF500 Flange Mount – Caterpillar 3406	Right	Top	46 lbs.	Tapered Shaft	1	500A
284790X	TF500 Flange Mount – Caterpillar Special Application	Left	Top	50 lbs.	Spline Shaft	2	500A

Competitive (Remanufactured)

Bendix® TF501



Features:

- Engine Drive

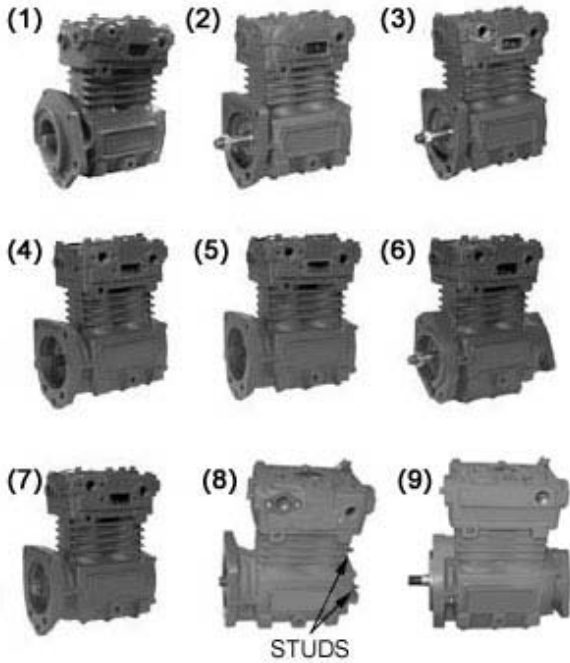
Notes:

- 1) Port orientation viewed from rear.
- 2) See Accessories for Compressor Kits.

SKU#	Product Description	Cooling	Air Inlet	Air Outlet	Discharge Type	Approx. Weight	Notes	Picture	Core Group
102742X	TF501 Flange Mount – Caterpillar 3512	Water/Air	Left	Top	Threaded	46 lbs.	Spline Shaft	3	501T
103274X	TF501 Flange Mount – Caterpillar 3406B	Water/Air	Left	Top	Threaded	40 lbs.	Tapered Shaft 2–3° Tilt	1	501F
286546X	TF501 Flange Mount – Caterpillar 3406	Water/Air	Left	Top	Threaded	44 lbs.	Spline Shaft Rear Oil Inlet Base Oil Drain	2	501F
286550X	TF501 Flange Mount – Caterpillar 3406	Water/Air	Left	Left	Flange	40 lbs.	Tapered Shaft	1	501F
286551X	TF501 Flange Mount – Caterpillar 3406	Water/Air	Right	Top	Threaded	40 lbs.	Tapered Shaft	1	501F
286552X	TF501 Flange Mount – Caterpillar 3406	Water/Air	Left	Top	Threaded	40 lbs.	Tapered Shaft	1	501F
286566X	TF501 Flange Mount – Caterpillar 3406	Water/Air	Right	Top	Threaded	40 lbs.	Tapered Shaft	1	501F
286584X	TF501 Flange Mount – Caterpillar 3306	Water/Air	Left	Top	Threaded	46 lbs.	Spline Shaft 22 Tooth	4	501F

Competitive (Remanufactured)

Bendix® TF550/TF750



Features:

- Engine Drive
- Optional Top or Left Discharge Type

Notes:

- 1) Port orientation viewed from rear.
- 2) See Accessories for Compressor Kits.

SKU#	Product Description	Cooling	Air Inlet	Air Outlet	Notes	Wt.	Pic.	Core Group
107023X	TF750 Flange Mount – Caterpillar 3406B–3176	Water/Air	Left	Left/Top	Splined Shaft 22 Tooth	53 lbs.	4	750F
107508X	TF750 Flange Mount – Caterpillar 3406B–3176 – 2.5° Tilt	Water/Air	Left	Left/Top	Tapered Shaft	53 lbs.	2	750B
107509X	TF550 Flange Mount – Caterpillar 3406B–3176 – 2.5° Tilt	Water/Air	Left	Left/Top	Tapered Shaft	53 lbs.	3	550B
107917X	TF550 Flange Mount – Caterpillar 3406B–3176	Water/Air	Left	Left/Top	Spline Shaft 22 Tooth	53 lbs.	5	550G
107981X	TF550 Flange Mount – Caterpillar 3116 – 31.5° Tilt	Water	Left	Left/Top	Spline Shaft 11 Tooth	60 lbs.	6	550M
108990X	TF550 Flange Mount – Caterpillar 0° Tilt	Water/Air	Left	Top	Mack Style	53 lbs.	5	550I
108992X	TF750 Flange Mount – Caterpillar 0° Tilt	Water/Air	Left	Top	Mack Style	53 lbs.	5	750I
109088X	TF550 Flange Mount – Caterpillar 7° Tilt	Water	Left	Left/Top	Tapered Shaft 11 Tooth Accessory Drive Navistar	60 lbs.	6	550N
109111X	TF750 Flange Mount – Caterpillar 7° Tilt	Water	Left	Left/Top	Tapered Shaft 11 Tooth Accessory Drive Navistar	59 lbs.	6	750N
109139X	TF550 Flange Mount – Caterpillar 3406, C10, C12, C15, C16	Water	Left	Left/Top	Crankshaft Thread	53 lbs.	7	550L



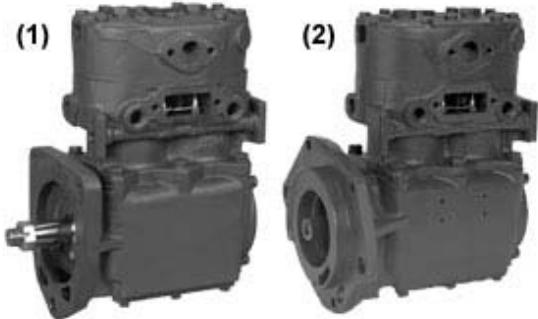
# Caterpillar – Flange Mount

# 10-COMPRESSORS

109142X	TF750 Flange Mount – Caterpillar 3406E	Water	Left	Left/Top	Crankshaft Thread Mack Style	53 lbs.	7	750L
109251X	TF550 Flange Mount – Caterpillar 3306	Water/Air	Left	Left/Top	Spline Shaft 22 Tooth	55 lbs.	1	550J
109287X	TF750 Flange Mount – Caterpillar 3306	Water/Air	Left	Left/Top	Spline Shaft 22 Tooth	55 lbs.	1	750K
5001940X	TF550 Flange Mount – Caterpillar	Water/Air	Top	Top	Flange 31.5°	62 lbs.	9	550M
5002713X	TF750 Flange Mount – Caterpillar 3406, C10, C12, C15, C16	Water	Left	Left/Top	Crankshaft Thread Mack Style Identical to 109142X except has End Cover Studs	54 lbs.	8	750L
5004118X	TF750 Flange Mount – Caterpillar 3116, 3126, C7 Acert, C9 Acert	Water	Top	Top	Removeable Rear Flange Cover	53 lbs.	9	750T
5004613X	TF550 Flange Mount – Caterpillar 0° Tilt – Non-Keyed Crankshaft	Water	Left	Left/Top	Spline Shaft 11 Tooth – Navistar	58 lbs.	6	550N
5004614X	TF750 Flange Mount – Caterpillar 0° Tilt – Non-Keyed Crankshaft	Water	Left	Left/Top	Navistar Does Not Include Drive Gear	58 lbs.	6	750N
5005790X	TF550 Flange Mount – Caterpillar 3176, C15, C16	Water	Left	Top	–	53 lbs.	7	550L
5008249X	TF550 Flange Mount – Caterpillar 3116, 3126, C7 Acert, C9 Acert	Water	Top	Top	High Torque Thru Drive Removable Rear Flange Cover	53 lbs.	9	550M
5011016X	TF550 Flange Mount – Caterpillar 3116, 3126, C7 Acert, C9 Acert	Water	Top	Top	Removeable Rear Flange Cover	53 lbs.	9	550M

Competitive (Remanufactured)

Bendix® TF700



Features:

- Engine Drive
- Optional Top or Left Discharge Type

Notes:

- 1) Port orientation viewed from rear.
- 2) See Accessories for Compressor Kits.

SKU#	Product Description	Cooling	Air Inlet	Air Outlet	Approx. Weight	Notes	Picture	Core Group
103278X	TF700 Flange Mount – Caterpillar 3406B	Water	Left	Left/Top	46 lbs.	Tapered Shaft 2-1/2° Tilt	1	501F
289336X	TF700 Flange Mount – Caterpillar 3306	Water	Left	Left/Top	51 lbs.	–	2	501K
289349X	TF700 Flange Mount – Caterpillar 3408	Water	Left	Left/Top	46 lbs.	No Crankshaft Key	1	501F
289744X	TF700 Flange Mount – Caterpillar 3408	Water	Left	Left/Top	46 lbs.	Tapered Shaft	1	501F

**Competitive (Remanufactured)**

**Bendix® BX2150**



**Features:**

- Engine Drive
- Water and Air Cooled
- Threaded Discharge Type

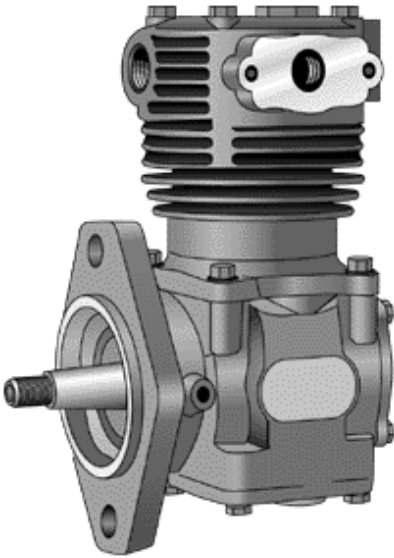
**Notes:**

- 1) Port orientation viewed from rear.

SKU#	Product Description	Air Inlet	Air Outlet	Approx. Weight	Notes	Picture	Core Group
104042X	BX2150 Flange Mount – Caterpillar 3306	Optional Top or Left	Optional Top or Left	42 lbs.	May have old style head.	1	2150
107526X	BX2150 Flange Mount – Caterpillar 3116	Left	Top	35 lbs.	Tapered Shaft Thru-Drive	2	2150

Haldex/Midland (New and Remanufactured)

EL850 2-Hole Flange, Tapered Shaft, Water Or Air Cooled



Torque Nut to 80–100 ft. lbs

Features:

- Flange Mount, Gear Drive
- Front-Threaded Discharge Type
- Side Oil Feed, Thru-Drive Available
- Base Oil Drain

Specifications:

<b>Overall Height</b>	11.44 in.
<b>Overall Width</b>	4.76 in.
<b>Overall Length</b>	8.86 in.
<b>External Shaft Length</b>	2.22 in.
<b>Bore Diameter</b>	3.15 in.
<b>Stroke</b>	1.50 in.
<b>Turbo-Charge Pressure</b>	25 Max PSI
<b>Rated Displacement</b>	8.5 CFM @ 1250 RPM
<b>Approximate Weight</b>	31 lbs.

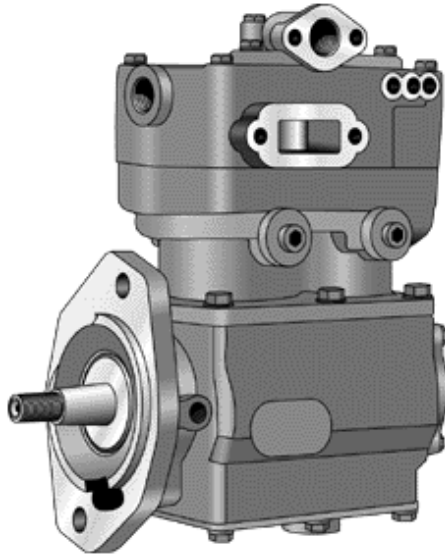
Notes:

- 1) Installation Instructions For Cummins B & C Series Thru-Drive Conversion – L31078. Installation Instructions For Cummins B Series – L31105.
- 2) Svc/Repair Instructions For Cylinder Head – L31059.
- 3) Service Units are furnished without governors and manifolds and may require head rotation before installation or changeover.
- 4) Thru-drive units must not exceed 65 ft. of transmitted torque.
- 5) Service Units require the purchase of thru-drive kit SN3072BW for thru-drive applications.
- 6) Port orientation viewed from front.
- 7) See Accessories for Compressor Kits.

SKU#	Product Description	Intake Manifold Position	Application	Notes	OEM Part Number	Core Group
KNT85230	EL850 2-Hole Flange/Taper Shaft	Right	Cummins Type B-Engines	Turbocharged Air Cooled	NT7523 Exact Replacement	-
KNT85230X	Remanufactured EL850 2-Hole Flange/Taper Shaft	Right	Cummins Type B-Engines	Turbocharged Air Cooled	NT7523 Exact Replacement	850
KNT86230	EL850 2-Hole Flange/Taper Shaft	Right	Cummins Type B-Engines	Turbocharged Water Cooled	NT7623 Exact Replacement	-
KNT86230RX	Remanufactured EL850 2-Hole Flange/Taper Shaft – CoreFree™	Right	Cummins Type B-Engines	Turbocharged Water Cooled	NT7623 Exact Replacement	-
KNT86230X	Remanufactured EL850 2-Hole Flange/Taper Shaft	Right	Cummins Type B-Engines	Turbocharged Water Cooled	NT7623 Exact Replacement	850

**Haldex/Midland (New and Remanufactured)**

**EL1300/EL1600 2-Hole Flange, Tapered Shaft**



**Torque Nut to 80–100 ft. lbs**

**Features:**

- Flange Mount, Gear Drive
- Flange Discharge Type
- Side Oil Feed
- Flange Oil Drain
- Water Cooled

**Specifications:**

<b>Overall Height</b>	12.51 in.
<b>Overall Width</b>	7.66 in.
<b>Overall Length</b>	11.80 in.
<b>External Shaft Length</b>	2.23 in.
<b>Bore Diameter</b>	2.75 in.
<b>Stroke</b>	1.50 in.
<b>Rated Displacement</b>	13.0 CFM @ 1250 RPM
<b>Approximate Weight</b>	50 lbs.

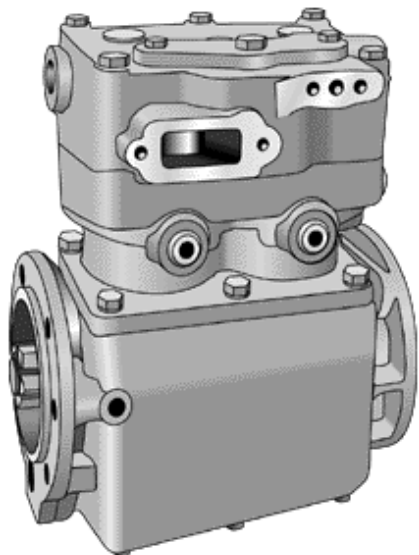
**Notes:**

- 1) Changeover/Installation Instructions – L31050
- 2) Service units are furnished without governors and manifolds and may require head rotation and end cap rotation before installation or changeover.
- 3) Service units require the purchase of thru-drive kit SN3072BW for thru-drive applications.
- 4) Thru-drive units must not exceed 65 ft. lbs. of transmitted torque.
- 5) Port orientation viewed from front.
- 6) See Accessories for Compressor Kits.

SKU#	Product Description	Head Rotation	Block Rotation	Application	Notes	OEM Part Number	Core Group
EL13220X	Remanufactured Cummins 2-Hole Flange Mount, Tapered Shaft	Right	Right	Cummins C-Series Engines	Thru-Drive	NT7022E Exact Replacement	1300

Haldex/Midland (New and Remanufactured)

EL1300/EL1600 Cummins In-Line Engines



Torque Nut to 100–135 ft. lbs.

Features:

- Top/Flange Discharge Type
- Double Flange Mount, Gear Drive
- Flange Oil Feed, Side Option on Service Units

Specifications:

<b>Overall Height</b>	12.38 in (EL1300), 12.57 in. (EL1600)
<b>Overall Width</b>	5.68 in.
<b>Overall Length</b>	9.09 in.
<b>External Shaft Length</b>	.54 in.
<b>Bore Diameter</b>	2.75 in.
<b>Stroke</b>	1.50 in. (EL1300) and 1.87 in. (EL1600)
<b>Rated Displacement</b>	13.0 (EL1300) and 16.1 (EL1600) CFM @ 1250 RPM
<b>Approximate Weight</b>	50 lbs.

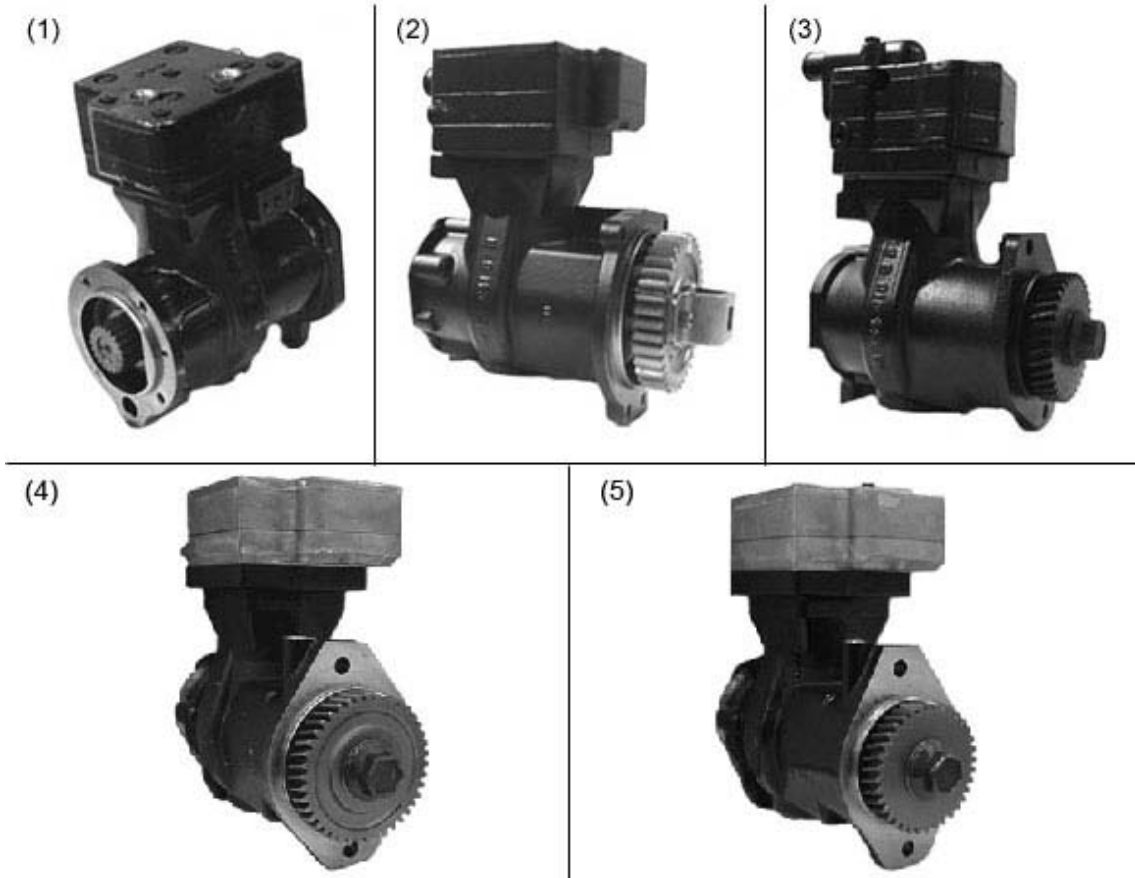
Notes:

- 1) Changeover/Installation Instructions: Bendix to Midland – L31025, Cummins to Midland – L31026, Cummins Long to Midland – L31027.
- 2) Service units are furnished without governors and manifolds and may require head rotation and end cap rotation before installation or changeover. Service and remanufactured units have a 1 inch oil drain port with no threads.
- 3) When replacing a Cummins–built compressor you must purchase an SN3502 Waterline Kit, SN3711AK Intake Manifold Kit and an SN3711K or L (low profile) Discharge Manifold Kit.
- 4) Thru–drive units must not exceed 65 ft. lbs. of transmitted torque.
- 5) Port orientation viewed from front.
- 6) See Accessories for Compressor Kits.

SKU#	Product Description	Head Rotation	Block Rotation	Application	Notes	OEM Part Number	Core Group
EL13040X	Remanufactured Cummins In-Line	Right	Right	Cummins In-Line Engines	High Capacity Replacement EL16040	NT7004B Exact Replacement	1300
EL16040X	Remanufactured Cummins In-Line	Right	Right	Cummins In-Line Engines	High Capacity	NT7204 Exact Replacement	1600

**Competitive (Remanufactured)**

**WABCO**



**STOR – Straight Thread O-Ring**

SKU#	Product Description	Model	Bore Size	CFM	Water Port	Discharge Port	Governor Port	Application	OEM #	Pic. #	Core Group
9111535100X	Reman. WABCO Air Compressor	SS318	85MM	18.7	M18 – 1.5 STOR	M27 – 2.0 STOR	M10 – 1.0 STOR	Cummins ISX	3681904 3681902 3103413	2	WAB3
9111535200X	Reman. WABCO Air Compressor	SS318	85MM	18.7	3/4" – 16 STOR	M27 – 2.0 STOR	M10 – 1.0 STOR	Cummins L, M, N	3558163	1	WAB1
9111535300X	Reman. WABCO Air Compressor	SS318	85MM	18.7	3/4" – 16 STOR	M27 – 2.0 STOR	M10 – 1.0 STOR	Cummins ISC 11 Tooth Thru-Drive	3944524 3966522RX 3944526 3944525	4	WAB6
9111535313X	Reman. WABCO Air Compressor	SS318	85MM	18.7	3/4" – 16 STOR	M27 – 2.0 STOR	M10 – 1.0 STOR	Cummins C Series	4936214	5	WAB4
9111535330X	Reman. WABCO Air Compressor	SS318	85MM	18.7	–	–	–	Cummins B Series	3936810	5	WAB4
9111545000X	Reman. WABCO Air Compressor	SS250	75MM	15.2	3/4" – 16 STOR	M27 – 2.0 STOR	M10 – 1.0 STOR	Cummins B Series	3944460 3948842 3976362	3	WAB5

## Competitive (Remanufactured)

### Bendix® TF500/TF600



**Standard Case      Extended Case**

**Features:**

- Engine Drive

**Specifications:**

**Approximate Weight** 46 lbs.

**Notes:**

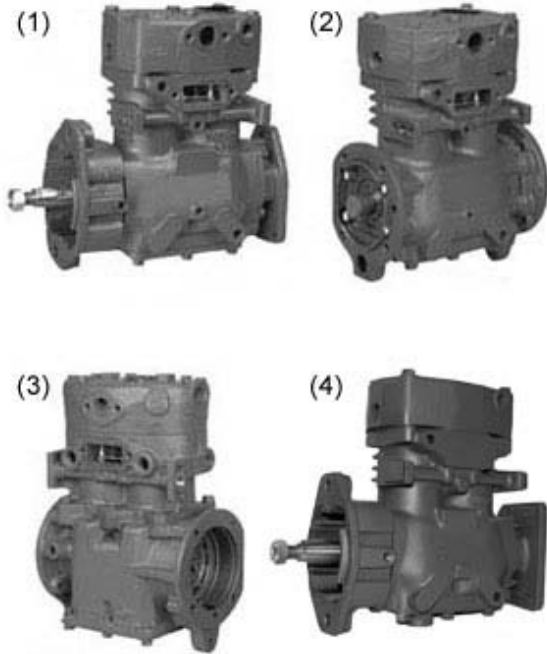
- 1) Port orientation viewed from rear.
- 2) See Accessories for Compressor Kits.

SKU#	Product Description	Cooling	Air Inlet	Air Outlet	Discharge Type	Notes	Core Group
228443X	TF500 Flange Mount – Cummins Extended Case	Water	Left	Left	Flange	Long Case	500A
229525X	TF500 Flange Mount – Cummins Extended Case	Water	Left	Top	Threaded	Long Case	500A
276974X	TF500 Flange Mount – Cummins Extended Case	Water	Left	Left	Flange	Long Case, Repair and Return Only	500A
280622X	TF600 Flange Mount – Cummins Extended Case	Water	Left	Left	Flange	Long Case	500A
280626X	TF600 Flange Mount – Cummins Extended Case	Water	Left	Top	Threaded	Long Case	500A
284699X	TF500 Flange Mount – Cummins Standard Case	Water	Left	Left	Flange	–	500A
284714X	TF600 Flange Mount – Cummins Standard Case	Water	Left	Left	Flange	–	500A
284718X	TF500 Flange Mount – Cummins Standard Case	Water	Left	Top	Threaded	–	500A
284959X	TF500 Flange Mount – Cummins Standard Case	Air	Left	Left	Flange	–	500A



Competitive (Remanufactured)

Bendix® TF501/TF700



Features:

- Engine Drive

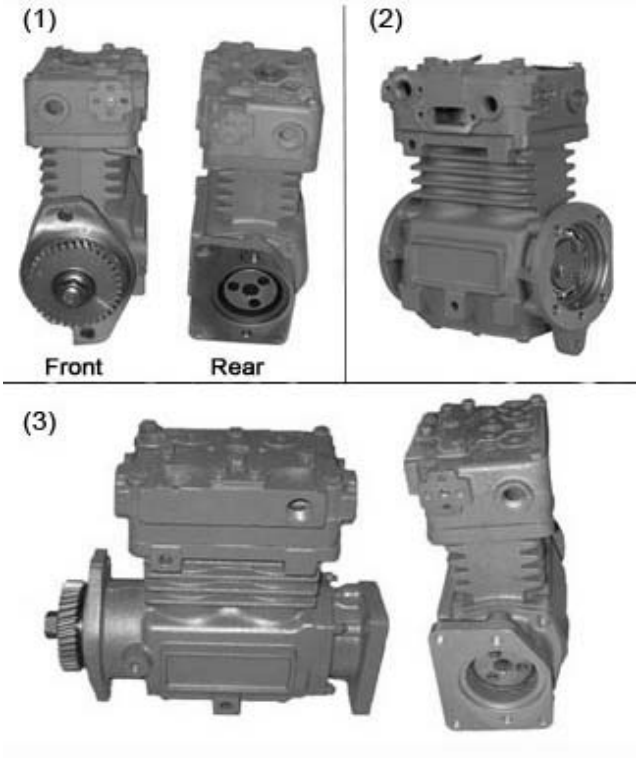
Notes:

- 1) Port orientation viewed from rear.
- 2) 108269X has Right Degree Flange, 1/7 Clock.
- 3) 108273X and 109073X has Left Degree Flange, 11/5 Clock.
- 4) See Accessories for Compressor Kits.

SKU#	Product Description	Cooling	Air Inlet	Air Outlet	Discharge Type	Approx. Weight	Notes	Picture	Core Group
107296X	TF501 Flange Mount	Water/Air	Left	Top	Threaded Top	46 lbs.	Thru-Drive	-	501Q
108269X	TF501 Flange Mount – Cummins "B"	Water/Air	Left	Left	Flange	46 lbs.	Thru-Drive	1	501Q
108270X	TF501 Flange Mount	Water/Air	Left	Left	Flange	46 lbs.	16° Flange Right	-	501Q
108273X	TF501 Flange Mount – Cummins "B"	Water/Air	Left	Left	Flange	46 lbs.	Thru-Drive 2 Bolt Rear Adapter	1	501S
109073X	TF501 Flange Mount – Cummins "B"	Water/Air	Left	Top	Threaded	46 lbs.	Thru-Drive 4 Bolt Rear Adapter	4	501S
286554X	TF501 Flange Mount – Cummins Standard Flange	Water/Air	Left	Left	Flange	44 lbs.	Includes the Drive Gear.	2	501K
286555X	TF501 Flange Mount – Cummins Standard Flange	Water/Air	Left	Top	Threaded	44 lbs.	Includes the Drive Gear. Replaces Bendix 286618.	2	501K
289339X	TF700 Flange Mount – Cummins Standard Flange	Water	Left	Left/Top	Optional Top or Left	46 lbs.	-	3	501K

Competitive (Remanufactured)

Bendix® TF550/TF750



Features:

- Engine Drive
- Water Cooled

Notes:

- 1) Port orientation viewed from rear.
- 2) See Accessories for Compressor Kits.

SKU#	Product Description	Air Inlet	Air Outlet	Approx. Weight	Notes	Pic. #	Core Group
107506X	TF550 Flange Mount – Cummins Standard Flange	Left	Optional Top or Left	53 lbs.	Supplied with Gears	2	550C
107507X	TF750 Flange Mount – Cummins Standard Case	Left	Optional Top or Left	53 lbs.	Supplied with Gears	2	750C
108804X	TF550 Flange Mount – Cummins ISB & C	Top	Optional Top or Left	66 lbs.	Spline Adapter 11 Tooth	1	550H
109382X	TF750 Flange Mount – Cummins ISB & C	Top	Optional Top or Left	66 lbs.	Spline Adapter 11 Tooth	1	750S
109653X	TF550 Flange Mount – Cummins ISB & C	Left	Optional Top or Left	66 lbs.	Spline Adapter 11 Tooth	1	550H
5002178X	TF550 Flange Mount – Cummins ISB & C	Optional Top or Left	Top	50 lbs.	–	3	550H

**Competitive (Remanufactured)**

**Bendix® BX2150**



**Features:**

- Engine Drive
- Threaded Discharge Type

**Specifications:**

**Approximate Weight** 42 lbs.

**Notes:**

- 1) Port orientation viewed from rear.
- 2) Cylinder head can be installed in any one of four different positions 90° apart.
- 3) An additional Head Gasket is required (not supplied) when rotating the head.
- 4) See Accessories for Compressor Kits.

SKU#	Product Description	Cooling	Inlet Port Location	Outlet Port Location	Notes	Core Group
104103X	BX2150 Flange Mount	Water/Air	Optional	Optional	-	2150A
108261X	BX2150 Flange Mount – Cummins B Series	Water/Air	Left	Top/Rear	Base Oil Drain	2150A
108854X	BX2150 Flange Mount – Cummins B Series	Water/Air	Left	Top/Rear	Base Oil Drain with Drive Hub	2150A
109079X	BX2150 Flange Mount – Cummins B Series	Water/Air	Left	Top/Rear	Base Oil Drain	2150A

## Competitive (Remanufactured)

### Cummins/Holset Model SS296/SS296E/SS338E



#### Features:

- Engine Drive
- Flange Mount
- Water Cooled

#### Specifications:

**Approximate Weight** 36 lbs.

#### Notes:

- 1) Port orientation viewed from rear.
- 2) See Accessories for Compressor Kits.

SKU#	Product Description	Cubic Feet Per Minute	Model	Air Inlet	Air Outlet	Unloader Port/Type	Application/Notes	Core Group
3018527X	Cummins Standard Case – Type SS296	13.2	SS296 Super Single Cylinder	Left	Rear	Left/Remote	For L/K/N Engines	CUM-1
3018543X	Cummins Standard Case – Type SS296	13.2	SS296 Super Single Cylinder	Left	Rear	Left/Direct	For L/K/N Engines	CUM-1
3047440X	Cummins Standard Case – Type SS296	13.2	SS296 Super Single Cylinder	Rear	Rear	Left/Direct	For L/K/N Engines	CUM-1
3049186X	Cummins Standard Case – Type SS296	13.2	SS296 Super Single Cylinder	Left	Rear	Left/Direct	Square Flange Crankcase	CUM-1
3558020X	Cummins Standard Case – Type SS338E	15	SS338E Super Single Cylinder	Left	Rear	Left/Direct	NT Engine E Unloader	CUM-1
3558044X	Cummins Standard Case – Type SS296E	13.2	SS296E Super Single Cylinder	Rear	Rear	Left/Direct	L10/NT Engines E Unloader version of 3047440	CUM-1
3558045X	Cummins Standard Case – Type SS296E	13.2	SS296E Super Single Cylinder	Left	Rear	Left/Direct	NT Engine E Unloaded version of 3049186	CUM-1

**Competitive (Remanufactured)**

**Cummins/Holset Model SS296BE/SS296C/SS296CE/SS338CE**



**Features:**

- Threaded Discharge Type
- Flange Mount
- Engine Drive
- Water Cooled

**Specifications:**

**Approximate Weight** 44 lbs.

**Notes:**

- 1) Port orientation viewed from rear.
- 2) See Accessories for Compressor Kits.

SKU#	Product Description	Cubic Feet Per Minute	Model	Air Inlet	Air Outlet	Spline	Application/Notes	Core Group
3558005X	Cummins C-Series – Type SS296C	13.2	SS296C Super Single Cylinder	Left	Front	9 Tooth	Thru-Drive for power steering pump	CUM-4
3558006X	Cummins C-Series – Type SS296C	13.2	SS296C Super Single Cylinder	Left	Front	11 Tooth	Thru-Drive for power steering pump	CUM-4
3558021X	Cummins C-Series – Type SS338CE	15	SS338CE Super Single Cylinder	Left	Front	11 Tooth	E Type Unloader	CUM-4
3558022X	Cummins C-Series – Type SS296CE	13.2	SS296CE Super Single Cylinder	Left	Front	11 Tooth	E Type Unloader Thru-Drive	CUM-4
3558204X	Cummins Type SS296BE	13.1	SS296BE Super Single Cylinder	Rear	Front	11 Tooth	E Type Unloader Thru-Drive	CUM-4

Competitive (Remanufactured)

Cummins/Holset Model SS296ME/SS338ME



Features:

- Flange Mount
- Engine Drive
- Water Cooled

Specifications:

**Air Inlet** Right  
**Air Outlet** Rear  
**Unloader Port/Type** Front/Direct  
**Approximate Weight** 50 lbs.

Notes:

- 1) Port orientation viewed from rear.
- 2) See Accessories for Compressor Kits.

SKU#	Product Description	Cubic Feet Per Minute	Model	Spline	Application/Notes	Core Group
3558000X	Cummins Standard Case – Type SS338ME	15	SS338ME Super Single Cylinder	11 Tooth	Mack E6/E7 Engine Mack p/n 303GB5102 Thru-Drive	CUM-3
3558029X	Cummins Standard Case – Type SS296ME	13.2	SS296ME Super Single Cylinder	11 Tooth	Mack E6/E7 Engines Mack p/n 303GB5107 Thru-Drive	CUM-3
3558042X	Cummins Standard Case – Type SS296ME	13.2	SS296ME Super Single Cylinder	–	Mack E6/E7 Engines Mack p/n 303GB5111 Non Thru-Drive	CUM-3
3558043X	Cummins Standard Case – Type SS338ME	15	SS338ME Super Single Cylinder	–	Mack E6/E7 Engine Mack p/n 303GB5111 Non Thru-Drive	CUM-3

**Competitive (Remanufactured)**

**Cummins/Holset Model ST676**



**Features:**

- Flange Mount
- Engine Drive
- Water Cooled
- Threaded Discharge

**Specifications:**

**Approximate Weight** 75 lbs.

**Notes:**

- 1) Port orientation viewed from rear.
- 2) See Accessories for Compressor Kits.

SKU#	Product Description	Cubic Feet Per Minute	Model	Air Inlet	Air Outlet	Application/Notes	Core Group
3048680X	Cummins Standard Case – Type ST676	30	Model ST676 Super Twin Cylinder	Left	Rear	L10/K/N14 Engines	CUM-2

Competitive (Remanufactured)

Cummins/Holset Model QE296/QE338



Features:

- Flange Mount
- Engine Drive
- Water Cooled
- Threaded Discharge

Specifications:

Approximate Weight 42 lbs.

Notes:

- 1) Port orientation viewed from rear.
- 2) Unloader/Inlet Assembly not included.
- 3) See Accessories for Compressor Kits.

SKU#	Product Description	Cubic Feet Per Minute	Model	Air Inlet	Air Outlet	Application/Notes	Core Group
3558072X	Cummins L10/N14 – Type QE296	13.2	QE296 Quiet Economy Single Cylinder	Left	Rear	Iron Head/Cover Intake Valve Retainer	CUM-1
3558074X	Cummins E Type/Standard Case – QE338	15	QE338 Quiet Economy Single Cylinder	Left	Rear	Iron Head/Cover Intake Valve Retainer	CUM-1



**Competitive (Remanufactured)**

**Cummins/Holset Model QE296B/QE338B/HD850B**



**Features:**

- Flange Mount
- Engine Drive
- Water Cooled
- Threaded Discharge

**Specifications:**

**Approximate Weight** 48 lbs.

**Notes:**

- 1) Port orientation viewed from rear.
- 2) Unloader/Inlet Assembly not included.
- 3) See Accessories for Compressor Kits.

SKU#	Product Description	Cubic Feet Per Minute	Model	Air Inlet	Air Outlet	Spline	Application/Notes	Core Group
3558049X	Cummins B-Series – Type QE296B	13.2	QE296B Quiet Economy Single Cylinder	Rear	Front	11 Tooth	Cummins B Engine Iron Head/Cover Thru-Drive, 35° Tilt	CUM-4
3558050X	Cummins B-Series – Type QE338B	N/A	QE338B Quiet Economy Single Cylinder	Rear	Front	11 Tooth	Thru-Drive	CUM-4
3558097X	Cummins B-Series – Type QE296B	13.2	QE296B Quiet Economy Single Cylinder	Front	Rear	11 Tooth	Cummins B Engine Thru-Drive	CUM-4
3558098X	Cummins B-Series – Type QE338B	N/A	QE338B Quiet Economy Single Cylinder	Front	Rear	11 Tooth	Thru-Drive	CUM-4
3558206X	Cummins B-Series – Type QE296EB	13.2	QE296EB Quiet Economy Single Cylinder	Rear	Front	11 Tooth	Cummins B Engine Thru-Drive	CUM-4
3558208X	Cummins B-Series – Type QE296B	13.2	QE296EB Quiet Economy Single Cylinder	Rear	Front	11 Tooth	Cummins B Engine Thru-Drive	CUM-4
3558211X	Cummins B-Series – Type QE296B	13.2	QE296B Quiet Economy Single Cylinder	Front	Right	11 Tooth	Cummins B Engine Thru-Drive	CUM-4
3558218X	Cummins B-Series – Type QE296B	13.2	QE296B Quiet Economy Single Cylinder	Front	Left	11 Tooth	–	CUM-4
3558220X	Cummins B-Series – Type HD850B	15	HD850B Single Cylinder	Rear	Front	11 Tooth	Thru-Drive High Duty Cycle Natural Asperation Only	CUM-4

Competitive (Remanufactured)

Cummins/Holset Model QE296C/QE338C/HD850C



Features:

- Flange Mount
- Engine Drive
- Water Cooled
- Threaded Discharge Type

Specifications:

Approximate Weight 48 lbs.

Notes:

- 1) Port orientation viewed from rear.
- 2) Unloader/Inlet Assembly not supplied.
- 3) See Accessories for Compressor Kits.

SKU#	Product Description	Cubic Feet Per Minute	Model	Air Inlet	Air Outlet	Spline	Application/Notes	Core Group
3558051X	Cummins C-Series – Type QE338C	–	QE338C Quiet Economy Single Cylinder	Left	Front	11 Tooth	Thru-Drive	CUM-4
3558052X	Cummins C-Series – Type QE296C	13.2	QE296C Quiet Economy Single Cylinder	Left	Front	11 Tooth	Cummin C Engine Iron Head/Cover Intake Valve Retainer Thru-Drive for power steering pump	CUM-4
3558094X	Cummins C-Series – Type QE296C	–	QE296C Quiet Economy Single Cylinder	Left	Left	11 Tooth	Thru-Drive	CUM-4
3558095X	Cummins C-Series – Type QE338C	15.0	QE338C Quiet Economy Single Cylinder	Left	Left	11 Tooth	Cummins C Engine	CUM-4
3558113X	Cummins C-Series – Type QE338C	15.0	QE338C Quiet Economy Single Cylinder	Left	Left	9 Tooth	Cummins C Engine	CUM-4
3558122X	Cummins C-Series – Type HD850C	–	HD850C	Left	Front	11 Tooth	High Duty Cycle Natural Asperation Only	CUM-4
3558186X	Cummins C-Series – Type QE296C	13.2	QE296C Quiet Economy Single Cylinder	Front	Rear	11 Tooth	Cummin C Engine	CUM-4
3558189X	Cummins C-Series – Type QE338C	15.0	QE338C Quiet Economy Single Cylinder	Front	Rear	11 Tooth	Cummins C Engine	CUM-4

**Competitive (Remanufactured)**

**Cummins/Holset Model QE296M/QE338M**



**Features:**

- Flange Mount
- Engine Drive
- Water Cooled
- Threaded Discharge Type

**Specifications:**

**Approximate Weight** 42 lbs.

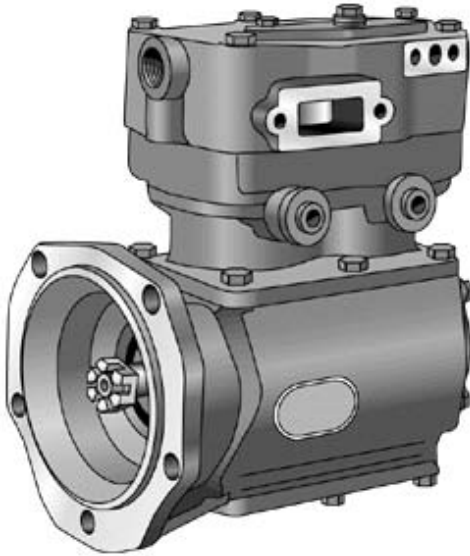
**Notes:**

- 1) Port orientation viewed from rear.
- 2) Unloader/Inlet Assembly not included.
- 3) See Accessories for Compressor Kits.

SKU#	Product Description	Model	Air Inlet	Air Outlet	Spline	Application/Notes	Core Group
3558068X	Cummins Mack-In-Line – Type QE296M	QE296M Quiet Economy Single Cylinder	Right	Rear	–	–	CUM-3
3558075X	Cummins Mack-In-Line – Type QE296M	QE296M Quiet Economy Single Cylinder	Right	Rear	11 Tooth	Thru-Drive	CUM-3
3558076X	Cummins Mack-In-Line – Type QE338M	QE338M Quiet Economy Single Cylinder	Right	Rear	11 Tooth	Thru-Drive	CUM-3
3558077X	Cummins Mack-In-Line – Type QE338M	QE338M Quiet Economy Single Cylinder	Right	Rear	–	–	CUM-3

Haldex/Midland (New and Remanufactured)

EL1300 DDC 0°, 1° and 4°



**EL13051/EL16051 Torque Nut to 220–255 ft. lbs. All Other Units Featured Below Torque Nut to 80–100 ft. lbs.**

Features:

- Flange Mount, Gear Drive
- End Cap Oil Feed
- Oil Drain Internal at Flange
- Top/Flange Discharge Type

Specifications:

<b>Overall Height</b>	12.00 in.
<b>Overall Width</b>	6.84 in.
<b>Overall Length</b>	10.45 in.
<b>External Shaft Length</b>	.19 in.
<b>Bore Diameter</b>	2.75 in.
<b>Stroke</b>	1.50 in.
<b>Rated Displacement</b>	13.0 CFM @ 1250 RPM
<b>Approximate Weight</b>	50 lbs.

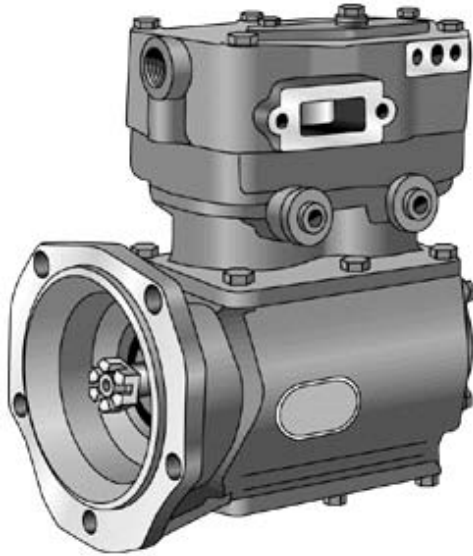
Notes:

- 1) EL13050/EL16050 Changeover/Installation Instructions: L31028.
- 2) Service units are furnished without governors and manifolds and may require head rotation and end cap rotation before installation or changeover. Service and Remanufactured units have a 1 inch oil drain port with no threads.
- 3) Thru-drive units must not exceed 65 ft. lbs. of transmitted torque.
- 4) Port orientation viewed from front.
- 5) See Accessories for Compressor Kits.

SKU#	Product Description	Head Rotation	Block Rotation	Application	Notes	OEM Part Number	Core Group
EL13050X	Reman. Detroit Diesel 0°	Right	Right	DDC 0° Tilt Engines	Substitution for KN7070X and KN7080X; must rotate head for KN7080X.	N7005H	1300
EL13051X	Reman. Detroit Diesel 0°	Right	Left	DDC 0° Tilt Engines	Non-Thru Drive	NT7005M	1300
EL13070X	Reman. Detroit Diesel 1°	Right	Left	DDC 1° Tilt Engines	High Capacity	N7005M	1300

**Haldex/Midland (New and Remanufactured)**

**EL1600 DDC 0°, 1° and 4°**



**EL13051/EL16051 Torque Nut to 220–255 ft. lbs. All Other Units Featured Below Torque Nut to 80–100 ft. lbs.**

**Features:**

- Flange Mount, Gear Drive
- End Cap Oil Feed
- Oil Drain Internal at Flange
- Top/Flange Discharge Type

**Specifications:**

<b>Overall Height</b>	12.19 in.
<b>Overall Width</b>	6.84 in.
<b>Overall Length</b>	10.45 in.
<b>External Shaft Length</b>	.19 in.
<b>Bore Diameter</b>	2.75 in.
<b>Stroke</b>	1.87 in.
<b>Rated Displacement</b>	16.1 CFM @ 1250 RPM
<b>Approximate Weight</b>	50 lbs.

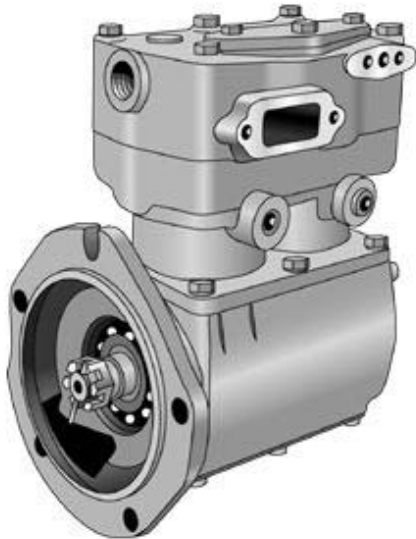
**Notes:**

- 1) EL13050/EL16050 Changeover/Installation Instructions: L31028.
- 2) Service units are furnished without governors and manifolds and may require head rotation and end cap rotation before installation or changeover. Service and Remanufactured units have a 1 inch oil drain port with no threads.
- 3) Thru-drive units must not exceed 65 ft. lbs. of transmitted torque.
- 4) Port orientation viewed from front.
- 5) See Accessories for Compressor Kits.

SKU#	Product Description	Head Rotation	Block Rotation	Application	Notes	OEM Part Number	Core Group
EL16050X	Reman. Detroit Diesel 0°	Right	Right	DDC 0° Engines	High Capacity	N7205 Exact Replacement	1600
EL16051X	Reman. Detroit Diesel 0°	Right	Left	DDC 0° Engines	High Capacity	NT7205V	1600
EL16070X	Reman. Detroit Diesel 1°	Right	Left	DDC 1° Tilt Engines	High Capacity	N7205B	1600
EL16072X	Reman. Detroit Diesel 4°	Right	Left	DDC Bus Application 4° Tilt	–	N7205S	1600

Haldex/Midland (New and Remanufactured)

EL1300/EL1600 41° DDC



**Torque Nut to 80–100 ft. lbs**

**Features:**

- Flange Mount, Gear Drive
- Top/Flange Discharge Type
- End Cap Oil Feed
- Oil Drain Internal at Flange

**Specifications:**

<b>Overall Height</b>	12.00 in. (EL1300), 12.19 in. (EL1600)
<b>Overall Width</b>	7.10 in.
<b>Overall Length</b>	9.90 in.
<b>External Shaft Length</b>	.41 in.
<b>Bore Diameter</b>	2.75 in.
<b>Stroke</b>	1.50 in. (EL1300) and 1.87 in. (EL1600)
<b>Rated Displacement</b>	13.0 (EL1300) and 16.1 (EL1600) CFM @ 1250 RPM
<b>Approximate Weight</b>	49 lbs.

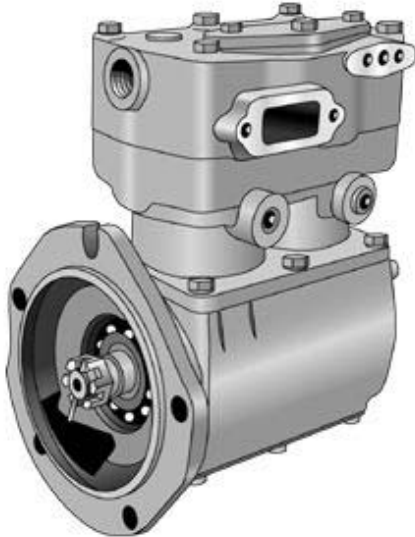
**Notes:**

- 1) Service units are furnished without governors and manifolds and may require head rotation and end cap rotation before installation or changeover. Service and Remanufactured units have a 1 inch oil drain port with no threads.
- 2) Port orientation viewed from front.
- 3) See Accessories for Compressor Kits.

SKU#	Product Description	Head Rotation	Block Rotation	Application	Notes	OEM Part Number	Core Group
EL13090X	Remanufactured Detroit Diesel 41°	Right	Right	DDC 41° Engines	High capacity replacement EL16090X	N7009	1300
EL16090X	Remanufactured Detroit Diesel 41°	Right	Right	DDC 41° Engines	High Capacity	N7209	1600

Haldex/Midland (New and Remanufactured)

EL1300/EL1600 45° DDC



Torque Nut to 80–100 ft. lbs.

Features:

- Flange Mount, Gear Drive
- Top/Flange Discharge Type
- End Cap Oil Feed
- Flange Oil Drain

Specifications:

<b>Overall Height</b>	12.00 in. (EL1300), 12.19 in. (EL1600)
<b>Overall Width</b>	7.10 in.
<b>Overall Length</b>	10.11 in.
<b>External Shaft Length</b>	.61 in.
<b>Bore Diameter</b>	2.75 in.
<b>Stroke</b>	1.50 in. (EL1300) and 1.87 in. (EL1600)
<b>Rated Displacement</b>	13.0 (EL1300) and 16.1 (EL1600) CFM @ 1250 RPM
<b>Approximate Weight</b>	48 lbs.

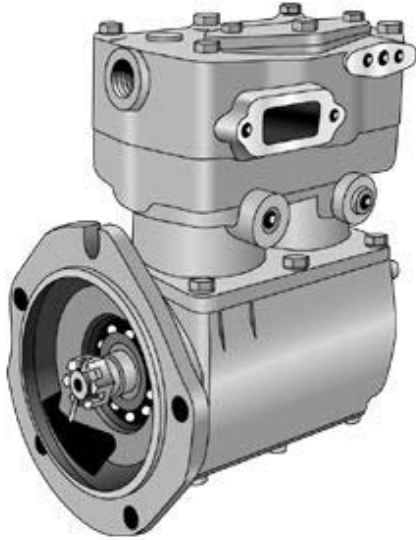
Notes:

- 1) Service units are furnished without governors and manifolds and may require head rotation and end cap rotation before installation or changeover.
- 2) Port orientation viewed from front.
- 3) See Accessories for Compressor Kits.

SKU#	Product Description	Head Rotation	Block Rotation	Application	Notes	OEM Part Number	Core Group
EL13160X	Remanufactured Detroit Diesel 45°	Left	Right	DDC 45° Engines	High capacity replacement EL16160X	N7016	1300
EL16160	Detroit Diesel 45°	Right	Right	DDC 45° Engines	High Capacity	N7216 Exact Replacement	–
EL16160X	Remanufactured Detroit Diesel 45°	Left	Right	DDC 45° Engines	High Capacity	N7216 Exact Replacement	1600

Haldex/Midland (New and Remanufactured)

EL1300/EL1600 50° DDC



**Torque Nut to 100 – 135 ft. lbs.**

**Features:**

- Flange Mount, Gear Drive
- Top/Flange Discharge Type
- End Cap Oil Feed
- Flange Oil Drain

**Specifications:**

<b>Overall Height</b>	12.00 in. (EL1300), 12.19 in. (EL1600)
<b>Overall Width</b>	7.09 in.
<b>Overall Length</b>	9.90 in.
<b>External Shaft Length</b>	.41 in.
<b>Bore Diameter</b>	2.75 in.
<b>Stroke</b>	1.50 in. (EL1300) and 1.87 in. (EL1600)
<b>Rated Displacement</b>	13.0 (EL1300) and 16.1 (EL1600) CFM @ 1250 RPM
<b>Approximate Weight</b>	49 lbs.

**Notes:**

- 1) Service units are furnished without governors and manifolds and may require head rotation and end cap rotation before installation or changeover.
- 2) Port orientation viewed from front.
- 3) See Accessories for Compressor Kits.

SKU#	Product Description	Head Rotation	Block Rotation	Application	Notes	OEM Part Number	Core Group
EL13100X	Remanufactured Detroit Diesel 50°	Right	Right	DDC 50° Engines	High capacity replacement EL16100X	N7010 Exact Replacement	1300
EL16100X	Remanufactured Detroit Diesel 50°	Right	Right	DDC 50° Engines	High Capacity DDC Identify	NT7210E Exact Replacement	1600



Haldex/Midland (New and Remanufactured)

EL1600 75° DDC



**Torque Nut to 80–100 ft. lbs.**

**Features:**

- Flange Mount, Gear Drive
- Top/Flange Discharge Type
- End Cap Oil Feed
- Flange Oil Drain

**Specifications:**

<b>Overall Height</b>	12.17 in.
<b>Overall Width</b>	6.94 in.
<b>Overall Length</b>	10.31 in.
<b>External Shaft Length</b>	.19 in.
<b>Bore Diameter</b>	2.75 in.
<b>Stroke</b>	1.87 in.
<b>Rated Displacement</b>	16.1 CFM @ 1250 RPM
<b>Approximate Weight</b>	49 lbs.

**Notes:**

- 1) Service units are furnished without governors and manifolds and may require head rotation and end cap rotation before installation or changeover.
- 2) Port orientation viewed from front.
- 3) See Accessories for Compressor Kits.

SKU#	Product Description	Head Rotation	Block Rotation	Application	Notes	OEM Part Number	Core Group
EL16250X	Remanufactured Detroit Diesel 75°	Left	Left	DDC 75° Engines Bus Applications	High Capacity	N7225	1600

Haldex/Midland (New and Remanufactured)

EL1300/EL1600 60-Series DDC



Features:

- Flange Mount, Gear Drive
- Top/Threaded Discharge Type
- End Cap Oil Feed
- Flange Oil Drain

Specifications:

<b>Overall Height</b>	12.00 in. (EL1300), 12.19 in. (EL1600)
<b>Overall Width</b>	7.10 in.
<b>Overall Length</b>	9.90 in.
<b>Bore Diameter</b>	2.75 in.
<b>Stroke</b>	1.50 in. (EL1300) and 1.87 in. (EL1600)
<b>Rated Displacement</b>	13.0 (EL1300) and 16.1 (EL1600) CFM @ 1250 RPM
<b>Approximate Weight</b>	75 lbs.

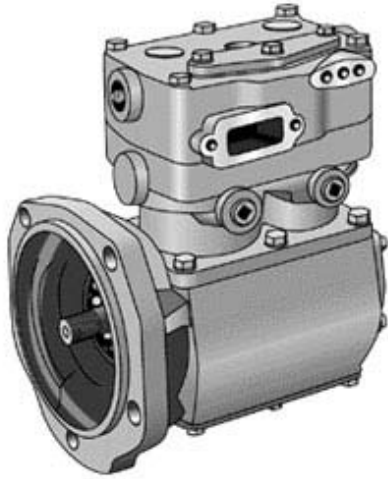
Notes:

- 1) Service Units are furnished without governors and manifolds and may require head rotation and end cap rotation before installation or changeover.
- 2) Thru drive units must not exceed 65 ft. lbs. of transmitted torque.
- 3) Port orientation viewed from front.
- 4) See Accessories for Compressor Kits.

SKU#	Product Description	Head Rotation	Block Rotation	Application	Notes	OEM Part Number	Core Group
EL13312X	Remanufactured Detroit Diesel Flange Mount	Right	Right	60-Series DDC 0° Tilt	Thru-Drive Adapterless	NT7031B	1331
EL16312X	Remanufactured Detroit Diesel Flange Mount	Right	Right	60-Series DDC 0° Tilt	Thru-Drive Adapterless	NT7231	1631

Haldex/Midland (New and Remanufactured)

EL1300/EL1600 60-Series DDC, Thru-Drive



Torque Nut to 220-255 ft. lbs.



Rear View

Features:

- Flange Mount, Gear Drive
- Top/Threaded Discharge Type
- End Cap Oil Feed
- Oil Drain Internal at Flange

Specifications:

<b>Overall Height</b>	12.00 in. (EL1300), 12.19 in. (EL1600)
<b>Overall Width</b>	6.84 in.
<b>Overall Length</b>	10.45 in.
<b>External Shaft Length</b>	.19 in.
<b>Bore Diameter</b>	2.75 in.
<b>Stroke</b>	1.50 in. (EL1300) and 1.87 in. (EL1600)
<b>Rated Displacement</b>	13.0 (EL1300) and 16.1 (EL1600) CFM @ 1250 RPM
<b>Approximate Weight</b>	53 lbs.

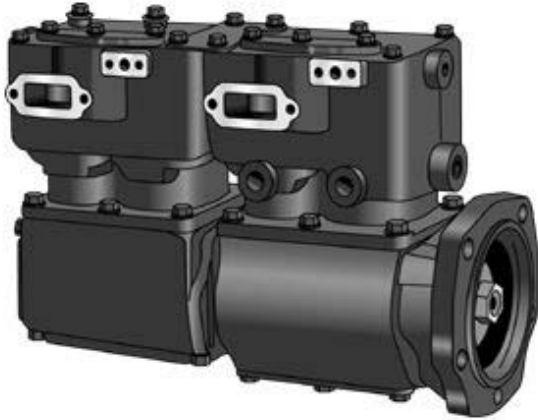
Notes:

- 1) Changeover/Installation Instructions: L31106.
- 2) Service units are furnished without governors and manifolds and may require head rotation and end cap rotation before installation or changeover.
- 3) Thru-drive units must not exceed 65 ft. lbs. of transmitted torque.
- 4) Port orientation viewed from front.
- 5) See Accessories for Compressor Kits.

SKU#	Product Description	Head Rotation	Block Rotation	Application	Notes	OEM Part Number	Core Group
EL13053X	Remanufactured Detroit Diesel 60-Series, Thru-Drive	Right	Left	DDC 0° Tilt 60-Series Thru-Drive	High Capacity Replacement EL16053X	NT7005AK Exact Replacement	1353
EL16053X	Remanufactured Detroit Diesel 60-Series, Thru-Drive	Right	Left	DDC 0° Tilt 60-Series Thru-Drive	High Capacity	NT7205Y Exact Replacement	1653

Haldex/Midland (New and Remanufactured)

EL3200 DDC



Typical – (See Note 2)

**Features:**

- Flange Mount, Gear Drive
- End Cap Oil Feed
- Base and Flange Oil Drain

**Specifications:**

<b>Overall Height</b>	13.08 in.
<b>Overall Width</b>	8.82 in.
<b>Overall Length</b>	17.30 in.
<b>External Shaft Length</b>	.19 in.
<b>Bore Diameter</b>	2.75 in.
<b>Stroke</b>	1.87 in.
<b>Rated Displacement</b>	32.2 CFM @ 1250 RPM
<b>Approximate Weight</b>	97 lbs.

**Notes:**

- 1) Service Units are furnished without governors and manifolds and may require head rotation and end cap rotation before installation or changeover.
- 2) Torque Nut to 100 ft. lbs. Apply additional torque to align slot with hole to insert cotter pin.
- 3) See Accessories for Compressor Kits.

SKU#	Product Description	Head Rotation	Block Rotation	Application	Notes	OEM Part Number
EL14050	Detroit Diesel	Right	Right	DDC Engines	Includes intake and exhaust manifolds.	NT7305 Exact Replacement

Competitive (Remanufactured)

Bendix® BA921



Features:

- Engine Drive
- Water and Air Cooled

SKU#	Product Description	Air Inlet	Air Outlet	Approx. Weight	Notes	Core Group
5010824X	BA921 Flange Mount – DDA 60 Series with EGR	Top	Side	58 lbs.	–	921A

**Competitive (Remanufactured)**

**Bendix® DF596**



**Features:**

- Engine Drive

**Specifications:**

**Approx. Weight** 50 lbs.

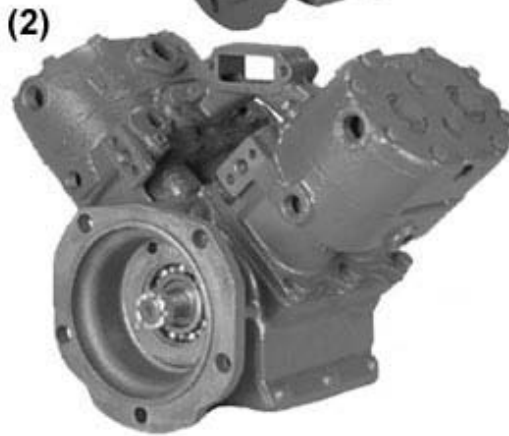
**Notes:**

- 1) Port orientation viewed from rear.

SKU#	Product Description	Cooling	Air Inlet	Air Outlet	Notes	Core Group
5005875X	DF596 Flange Mount – Detroit Diesel 60 Series	Water/Air	Top	Top	27 CFM	596A

Competitive (Remanufactured)

Bendix® TF400/TF1000



Features:

- Engine Drive
- Water Cooled
- Flange Discharge Type

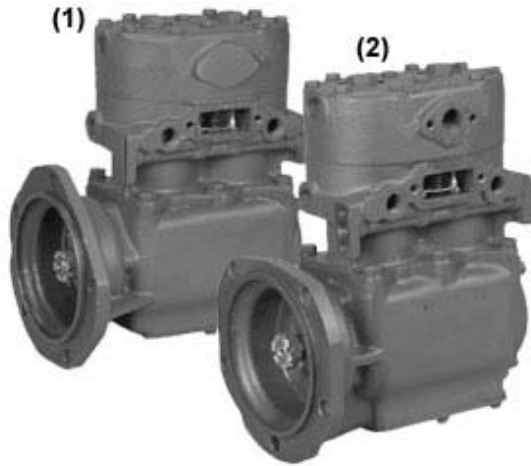
Notes:

- 1) Port orientation viewed from rear.
- 2) See Accessories for Compressor Kits.

SKU#	Product Description	Air Inlet	Air Outlet	Approx. Weight	Notes	Picture	Core Group
276166X	TF400 Flange Mount – Detroit Diesel 0° Tilt	Left	Left	34 lbs.	–	1	400B
276777X	TF1000 Flange Mount – Detroit Diesel	Middle	Middle	77 lbs.	Intake/Discharge Manifold not supplied.	2	1000
276778X	TF400 Flange Mount – Detroit Diesel 0° Tilt	Right	Right	34 lbs.	–	1	400B

Competitive (Remanufactured)

Bendix® TF500



Features:

- Engine Drive

Specifications:

Approximate Weight 46 lbs.

Notes:

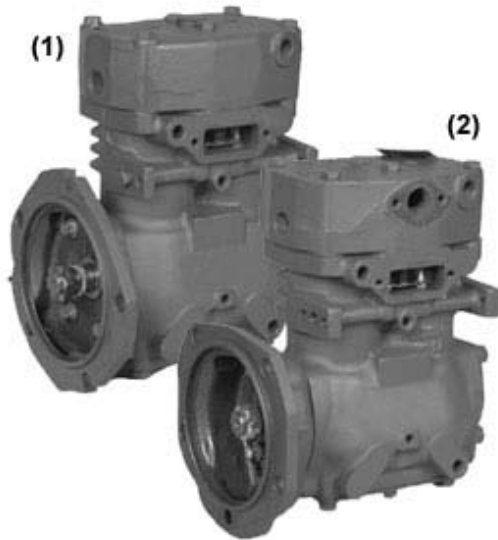
- 1) Port orientation viewed from rear.
- 2) See Accessories for Compressor Kits.

SKU#	Product Description	Cooling	Air Inlet	Air Outlet	Discharge Type	Picture	Core Group
275777X	TF500 Flange Mount – Detroit Diesel 75° Tilt	Water	Left	Left	Flange	2	500A
276961X	TF500 Flange Mount – Detroit Diesel 0° Tilt	Water	Left	Left	Flange	2	500A
276962X	TF500 Flange Mount – Detroit Diesel 0° Tilt	Water	Right	Right	Flange	2	500A
278681X	TF500 Flange Mount – Detroit Diesel 75° Tilt	Water	Right	Right	Flange	2	500A
279068X	TF500 Flange Mount – Detroit Diesel 0° Tilt	Water/Air	Left	Left	Flange	2	500A
279069X	TF500 Flange Mount – Detroit Diesel 0° Tilt	Water/Air	Right	Right	Flange	2	500A
281042X	TF500 Flange Mount – Detroit Diesel 45° Tilt	Water	Left	Top	Threaded	1	500A
282010X	TF500 Flange Mount – Detroit Diesel 45° Tilt	Water	Right	Top	Threaded	1	500A
282928X	TF500 Flange Mount – Detroit Diesel 0° Tilt – Short Flange	Water	Right	Top	Threaded	2	500A
283515X	TF500 Flange Mount – Detroit Diesel 0° Tilt	Water	Right	Right	Flange	2	500A
284106X	TF500 Flange Mount – Detroit Diesel 45° Tilt	Water	Left	Left	Flange	1	500A
285252X	TF500 Flange Mount – Detroit Diesel 45° Tilt	Water	Right	Top	Threaded	1	500A



**Competitive (Remanufactured)**

**Bendix® TF501**



**Features:**

- Engine Drive

**Specifications:**

**Approximate Weight** 45 lbs.

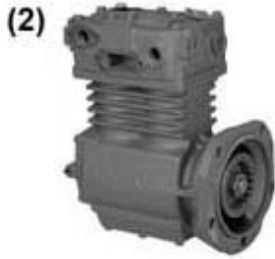
**Notes:**

- 1) Port orientation viewed from rear.
- 2) See Accessories for Compressor Kits.

SKU#	Product Description	Cooling	Air Inlet	Air Outlet	Discharge Type	Notes	Picture	Core Group
286538X	TF501 Flange Mount – Detroit Diesel 0° Tilt	Water/Air	Left	Left	Flange	–	2	501H
286539X	TF501 Flange Mount – Detroit Diesel 0° Tilt	Water/Air	Right	Right	Flange	–	2	501H
286540X	TF501 Flange Mount – Detroit Diesel 0° Tilt	Water/Air	Left	Top	Threaded	–	2	501H
286541X	TF501 Flange Mount – Detroit Diesel 0° Tilt	Water/Air	Right	Top	Threaded	–	2	501H
286542X	TF501 Flange Mount – Detroit Diesel 45° Tilt	Water/Air	Left	Top	Threaded	–	1	501H
286543X	TF501 Flange Mount – Detroit Diesel 45° Tilt	Water/Air	Right	Top	Threaded	–	1	501H
286579X	TF501 Shallow Flange Mount – Detroit Diesel 0° Tilt	Water	Right	Top	Threaded	Press On Gear Stud Shaft Shallow Flange	2	501H
286581X	TF501 Flange Mount – Detroit Diesel 0° Tilt	Water/Air	Left	Top	Threaded	Oil Port Reversed	2	501H
286623X	TF501 Flange Mount – Detroit Diesel 0° Tilt	Water/Air	Left	Left	Flange	60 Series	2	501H

## Competitive (Remanufactured)

### Bendix® TF550/TF750



#### Features:

- Engine Drive
- Optional Top or Left Discharge Type

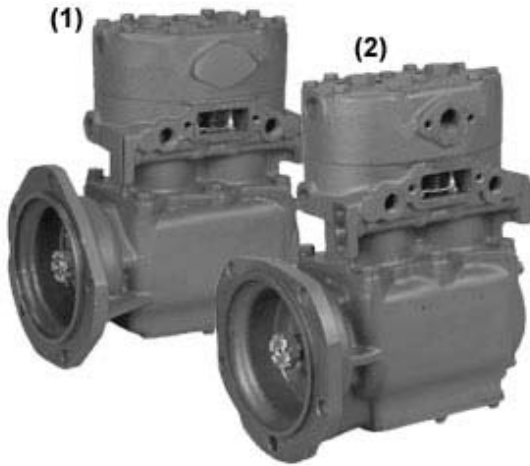
#### Notes:

- 1) Port orientation viewed from rear.
- 2) See Accessories for Compressor Kits

SKU#	Product Description	Cooling	Air Inlet	Air Outlet	Approx. Weight	Notes	Picture	Core Group
107512X	TF750 Flange Mount – Detroit Diesel 0° Tilt	Water/Air	Right	Top/Right	57 lbs.	–	2	750D
107513X	TF550 Flange Mount – Detroit Diesel 0° Tilt	Water/Air	Right	Top/Right	57 lbs.	–	1	550D
107622X	TF550 Flange Mount – Detroit Diesel 0° Tilt	Water/Air	Left	Top/Left	57 lbs.	60 Series Thru-Drive	1	550F
107623X	TF750 Flange Mount – Detroit Diesel 0° Tilt	Water/Air	Left	Top/Left	57 lbs.	60 Series Thru-Drive	2	750G
107813X	TF750 Flange Mount – Detroit Diesel 0° Tilt	Water/Air	Left	Top/Left	57 lbs.	–	2	750H
108557X	TF750 Flange Mount – Detroit Diesel 0° Tilt	Water/Air	Left	Top/Left	57 lbs.	–	2	750H
109429X	TF550 Flange Mount – Detroit Diesel 0° Tilt	Water/Air	Right	Top/Right	79 lbs.	60 Series Adapterless Head Rotated Detroit R23534455	3	550R
109430X	TF750 Flange Mount – Detroit Diesel 0° Tilt	Water/Air	Right	Top/Right	79 lbs.	60 Series Adapterless Head Rotated Detroit R23534461	3	750R
5013157X	TF750 Flange Mount – Detroit Diesel	Water/Air	Left	Top	60 lbs.	–	–	750M
5013830X	TF550 Flange Mount – Detroit Diesel 0° Tilt	Water/Air	Left	Top/Left	79 lbs.	60 Series Adapterless Same as the 109429X with the head rotated Detroit R23534455	3	550R

**Competitive (Remanufactured)**

**Bendix® TF600**



**Features:**

- Engine Drive

**Specifications:**

**Approximate Weight** 46 lbs.

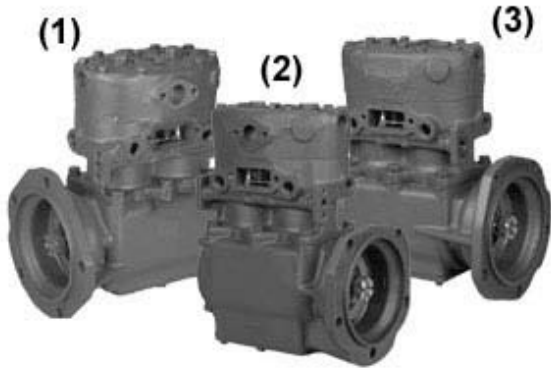
**Notes:**

- 1) Port orientation viewed from rear.
- 2) See Accessories for Compressor Kits.

SKU#	Product Description	Cooling	Air Inlet	Air Outlet	Discharge Type	Picture	Core Group
280369X	TF600 Flange Mount – Detroit Diesel 75° Tilt	Water	Right	Top	Threaded	2	500A
280570X	TF600 Flange Mount – Detroit Diesel 0° Tilt	Water	Right	Right	Flange	2	500A
280609X	TF600 Flange Mount – Detroit Diesel 0° Tilt	Water	Left	Left	Flange	2	500A
281677X	TF600 Flange Mount – Detroit Diesel 0° Tilt	Water	Left	Top	Threaded	2	500A
282011X	TF600 Flange Mount – Detroit Diesel 0° Tilt	Water	Right	Top	Threaded	2	500A
282013X	TF600 Flange Mount – Detroit Diesel 45° Tilt	Water	Left	Top	Threaded	1	500A

## Competitive (Remanufactured)

### Bendix® TF700



#### Features:

- Engine Drive
- Water Cooled
- Optional Top or Left Discharge Type

#### Notes:

- 1) Port orientation viewed from rear.
- 2) See Accessories for Compressor Kits.

SKU#	Product Description	Air Inlet	Air Outlet	Approx. Weight	Notes	Picture	Core Group
101158X	TF700 Flange Mount – Detroit Diesel 45° Tilt	Right	Right/Top	46 lbs.	–	2	501H
101636X	TF700 Flange Mount – Detroit Diesel 52° Tilt	Right	Right/Top	46 lbs.	–	2	501H
106268X	TF700 Flange Mount – Detroit Diesel 0° Tilt	Left	Left/Top	49 lbs.	Bearings Ball/Ball	1	501H
289262X	TF700 Flange Mount – Detroit Diesel 0° Tilt	Left	Left/Top	49 lbs.	–	1	501H
289342X	TF700 Flange Mount – Detroit Diesel 45° Tilt	Left	Left/Top	46 lbs.	–	2	501H
289915X	TF700 Flange Mount – Detroit Diesel 75° Tilt	Right	Top	47 lbs.	–	3	501H
289925GX	TF700 Flange Mount with Gear – Detroit Diesel 0° Tilt	Left	Left/Top	49 lbs.	Gear Installed	1	501H
289925X	TF700 Flange Mount – Detroit Diesel 0° Tilt	Left	Left/Top	49 lbs.	–	1	501H
289941GX	TF700 Flange Mount with Gear – Detroit Diesel 0° Tilt	Right	Right/Top	49 lbs.	Gear Installed	1	501H
289941X	TF700 Flange Mount – Detroit Diesel 0° Tilt	Right	Right/Top	49 lbs.	–	1	501H
289964X	TF700 Flange Mount – Detroit Diesel 75° Tilt	Right	Right/Top	47 lbs.	–	3	501H

**Competitive (Remanufactured)**

**BX2150 Bendix®**



**Features:**

- Engine Drive
- Water and Air Cooled
- Threaded Discharge Type

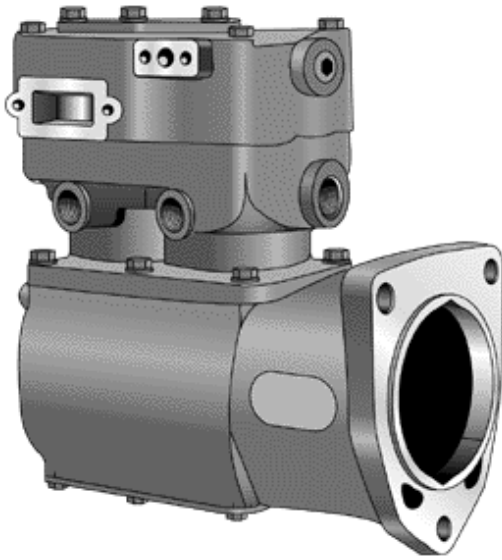
**Notes:**

- 1) Port orientation viewed from rear.

SKU#	Product Description	Air Inlet	Air Outlet	Approx. Weight	Notes	Core Group
109219X	BX2150 Flange Mount – International DT466	Left	Top	44 lbs.	Tapered Shaft Thru-Drive	2150

Haldex/Midland (New and Remanufactured)

EL1300/EL1600 Mack 0° In-Line 6-Cylinder



Torque Nut to 80–100 ft. lbs.

Features:

- Flange Mount, Gear Drive
- Top/Threaded Discharge Type
- Crankshaft End Oil Feed
- Flange Oil Drain

Specifications:

<b>Overall Height</b>	12.00 in. (EL1300), 12.19 in. (EL1600)
<b>Overall Width</b>	5.43 in.
<b>Overall Length</b>	11.58 in.
<b>External Shaft Length</b>	.16 in.
<b>Bore Diameter</b>	2.75 in.
<b>Stroke</b>	1.50 in. (EL1300) and 1.87 in. (EL1600)
<b>Rated Displacement</b>	13.0 (EL1300) and 16.1 (EL1600) CFM @ 1250 RPM
<b>Approximate Weight</b>	51 lbs.

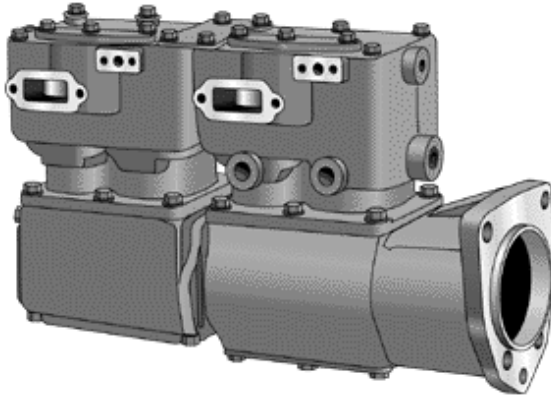
Notes:

- 1) Changeover/Installation Instructions – L31035.
- 2) Service units are furnished without governors and manifolds and may require head rotation and end cap rotation before installation or changeover.
- 3) Port orientation viewed from front.
- 4) See Accessories for Compressor Kits.

SKU#	Product Description	Head Rotation	Block Rotation	Notes	OEM Part Number	Core Group
EL13111X	Reman. 0° Mack In-Line, 6-Cylinder, Extended Flange	Left	Left	High Capacity Replacement EL16111X	N7011F Exact Replacement	1300
EL13112X	Reman. 0° Mack In-Line, 6-Cylinder, Extended Flange	Left	Left	Gear Included	N7011C Exact Replacement	1300
EL16111X	Reman. 0° Mack In-Line, 6-Cylinder, Extended Flange	Left	Left	High Capacity	N7211E Exact Replacement	1600
EL16112X	Reman. 0° Mack In-Line, 6-Cylinder, Extended Flange	Left	Left	Gear Included High Capacity	N7211B Exact Replacement	1600

Haldex/Midland (New and Remanufactured)

EL3200 Mack In-Line, 6-Cylinder



Torque Nut to 150 ft. lbs.

Features:

- Flange Mount, Gear Drive
- Flange Discharge Type
- Crankshaft End Oil Feed
- Flange and Base Oil Drain

Specifications:

<b>Overall Height</b>	13.11 in
<b>Overall Width</b>	8.14 in.
<b>Overall Length</b>	16.74 in.
<b>External Shaft Length</b>	.16 in.
<b>Bore Diameter</b>	2.75 in.
<b>Stroke</b>	1.87 in.
<b>Rated Displacement</b>	32.2 CFM @ 1250 RPM
<b>Approximate Weight</b>	97 lbs.

Notes:

- 1) Service Units are furnished without governors and manifolds and may require head rotation and end cap rotation before installation or changeover.
- 2) Port orientation viewed from front.
- 3) See Accessories for Compressor Kits.
- 4) **DO NOT** Turbo-Charge Mack Compressors.

SKU#	Product Description	Head Rotation	Block Rotation	Application	Notes	OEM Part Number	Core Group
EL14111X	Remanufactured Mack In-Line, 6-Cylinder	Left/Left	Left/Right	Mack In-Line 6-Cylinder Engines	Crankshaft Oil Feed	N7311	1400

Competitive (Remanufactured)

WABCO

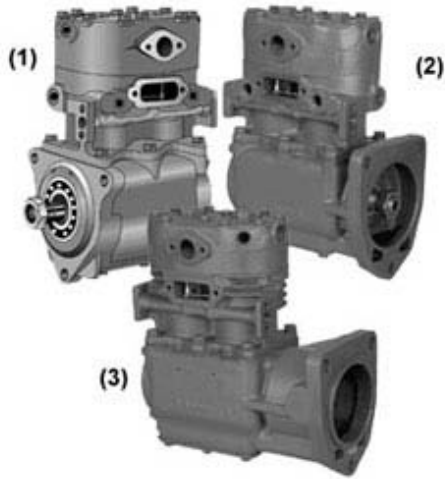


SKU#	Product Description	Model	Bore Size	CFM	Water Port	Discharge Port	Governor Port	Application	OEM Number	Core Group
9111535400X	Reman. WABCO Air Compressor	SS318	85MM	18.7	3/8" NPT	1/2" NPT	1/8" – 27 NPT	Extended Flange with Gear Thru-Drive 11 Tooth Spline	303GB5129M	WAB2
9111535410X	Reman. WABCO Air Compressor	SS318	85MM	18.7	3/8" NPT	1/2" NPT	1/8" – 27 NPT	Extended Flange with Gear Non-Thru-Drive	-	WAB2



Competitive (Remanufactured)

Bendix® TF500



Features:

- Engine Drive

Specifications:

Approximate Weight 46 lbs.

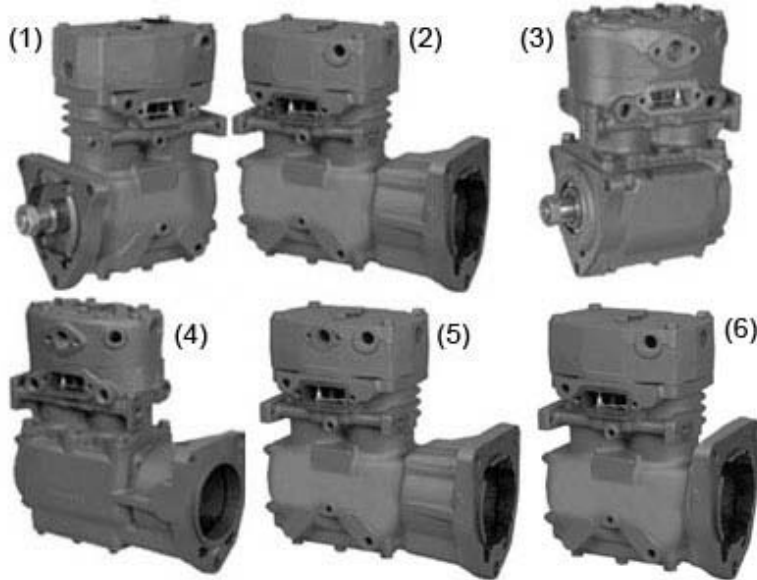
Notes:

- 1) Port orientation viewed from rear.
- 2) See Accessories for Compressor Kits.

SKU#	Product Description	Cooling	Air Inlet	Air Outlet	Discharge Type	Notes	Picture	Core Group
227326X	TF500 Flange Mount for Mack Short Case	Water	Right	Right	Flange	-	2	500A
277122X	TF500 Flange Mount for Mack Foxhead	Water	Left	Left	Flange	Mack V8	1	500A
277901X	TF500 Flange Mount for Mack Short Case	Water	Right	Top	Threaded	R & R Only	2	500A
278604X	TF500 Flange Mount for Mack Short Case	Water/Air	Right	Right	Flange	Water Cooled Head/ Air Cooled Block with Angled Port	2	500A
278605X	TF500 Flange Mount for Mack Extended Flange	Water/Air	Right	Right	Flange	Sleeve Type Bearings	3	500A
279556X	TF500 Flange Mount for Mack Extended Flange	Water/Air	Left	Left	Flange	Sleeve Type Bearings	3	500A
282586X	TF500 Flange Mount for Mack Extended Flange	Water/Air	Right	Right	Flange	-	3	500A
282621X	TF500 Flange Mount for Mack Extended Flange	Water/Air	Right	Right	Flange	-	3	500A
283577X	TF500 Flange Mount for Mack Foxhead	Water	Right	Right	Flange	Mack V8	1	500A
283692X	TF500 Flange Mount for Mack Foxhead	Water	Right	Right	Flange	Mack V8	1	500A
284010X	TF500 Flange Mount for Mack Short Case	Water	Right	Top	Threaded	-	2	500A
284662X	TF500 Flange Mount for Mack Extended Flange	Water/Air	Right	Right	Flange	Power Steering	3	500A

Competitive (Remanufactured)

Bendix® TF501/TF700



Features:

- Engine Drive

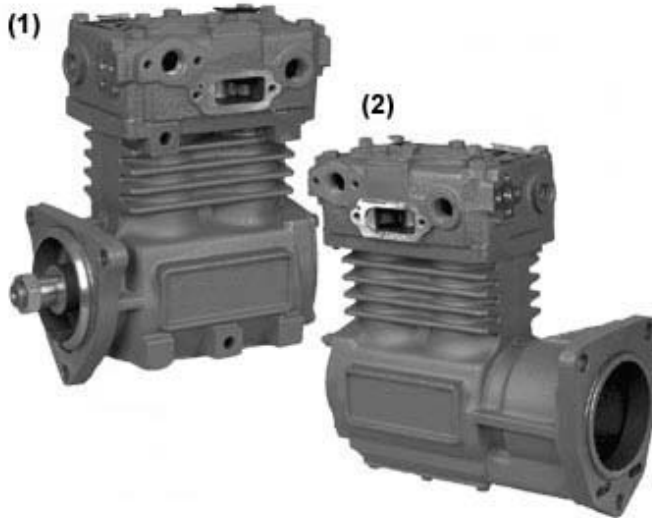
Notes:

- 1) Port orientation viewed from rear.
- 2) See Accessories for Compressor Kits.

SKU#	Product Description	Cooling	Air Inlet	Air Outlet	Discharge Type	Approx. Weight	Notes	Picture	Core Group
102953X	TF501 Flange Mount – Mack Foxhead	Water/Air	Left	Top	Threaded	40 lbs.	Mack V8	1	501E
104607X	TF501 Flange Mount – Mack	Water/Air	Right	Top	Top Threaded	46 lbs.	Mack V8	6	501E
286544X	TF501 Flange Mount – Mack Extended Flange	Water/Air	Right	Right	Flange	45 lbs.	Equipped for Power Steering	5	501E
286574X	TF501 Flange Mount – Mack Foxhead	Water/Air	Left	Left	Flange	40 lbs.	Mack V8	1	501E
286620X	TF501 Flange Mount – Mack Extended Flange	Water/Air	Right	Top	Threaded	45 lbs.	Equipped for power steering drive option supercedes 102697X.	2	501E
289340X	TF700 Flange Mount – Mack Extended Flange	Water	Right	Right/Top	Optional Top or Right	49 lbs.	Equipped for Power Steering	4	501E
289348X	TF700 Flange Mount – Mack Foxhead	Water	Left	Left/Top	Optional Top or Left	36 lbs.	Mack V8	3	501E

Competitive (Remanufactured)

Bendix® TF550/TF750



Features:

- Engine Drive
- Water and Air Cooled
- Optional Top or Right Discharge Type

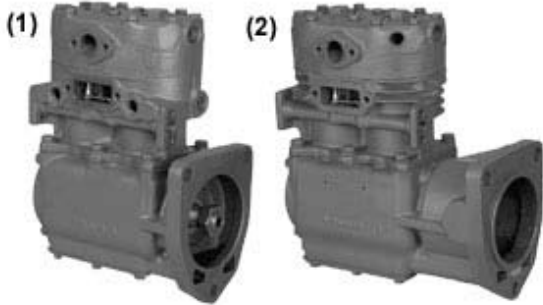
Notes:

- 1) Port orientation viewed from rear.
- 2) See Accessories for Compressor Kits.

SKU#	Product Description	Air Inlet	Air Outlet	Approx. Weight	Notes	Picture	Core Group
107510X	TF750 Flange Mount – Mack Extended Flange	Right	Right/Top	57 lbs.	Equipped for Power Steering	2	750E
107511X	TF550 Flange Mount – Mack Extended Flange	Right	Right/Top	57 lbs.	Equipped for Power Steering	2	550E
107869X	TF750 Flange Mount – Mack Foxhead	Left	Left/Top	53 lbs.	Mack V8	1	750J
108866X	TF550 Flange Mount – Mack Extended Flange	Right	Right/Top	57 lbs.	V-Mac Step Head	2	550E
108869X	TF750 Flange Mount – Mack Extended Flange	Right	Right/Top	57 lbs.	V-Mac Step Head	2	750E
5002865GX	TF550 Flange Mount with Gear – ETECH Mack	Right	Right/Top	56 lbs.	E Tech Engine Special Crankcase	2	550E
5002865X	TF550 Flange Mount – ETECH Mack	Right	Right/Top	56 lbs.	E Tech Engine Special Crankcase	2	550E
5002868GX	TF750 Flange Mount with Gear – ETECH Mack	Right	Right/Top	59 lbs.	E Tech Engine Special Crankcase	2	750E
5002868X	TF750 Flange Mount – ETECH Mack	Right	Right/Top	59 lbs.	E Tech Engine Special Crankcase	2	750E

**Competitive (Remanufactured)**

**Bendix® TF600**



**Features:**

- Engine Drive
- Flange Discharge Type

**Specifications:**

**Approximate Weight** 46 lbs.

**Notes:**

- 1) Port orientation viewed from rear.
- 2) See Accessories for Compressor Kits.

SKU#	Product Description	Cooling	Air Inlet	Air Outlet	Notes	Picture	Core Group
280608X	TF600 Flange Mount for Mack Short Case	Water	Right	Right	–	1	500A
284307X	TF600 Flange Mount for Mack Extended Flange	Water	Right	Right	R & R Only	2	500A
285108X	TF600 Flange Mount for Mack Extended Flange	Water	Right	Right	Power Steering	2	500A

**Competitive (Remanufactured)**

**Bendix® Volvo–GM Application**



**Features:**

- Engine Drive
- Threaded Discharge Type

**Specifications:**

**Approximate Weight** 54 lbs.

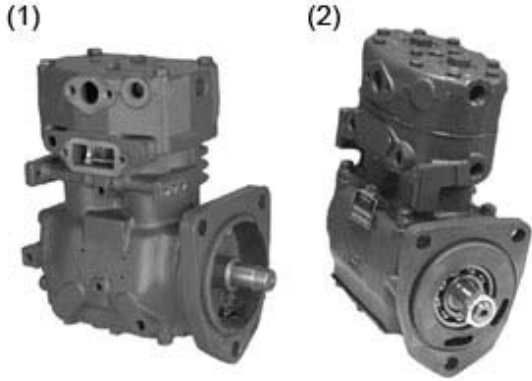
**Notes:**

- 1) Port orientation viewed from rear.
- 2) See Accessories for Compressor Kits.

SKU#	Product Description	Cooling	Air Inlet	Air Outlet	Core Group
108935X	TF750 Flange Mount – Volvo–GM	Water/Air	Right	Top	750P
108937X	TF550 Flange Mount – Volvo–GM	Water/Air	Right	Top	550P

Competitive (Remanufactured)

Bendix® Volvo–White Application



Features:

- Engine Drive

Specifications:

Approximate Weight 45 lbs.

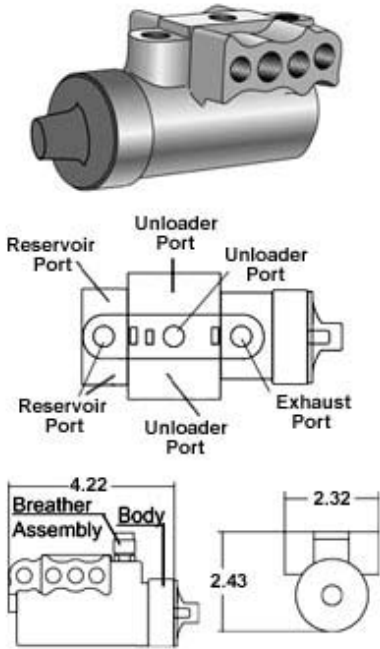
Notes:

- 1) Port orientation viewed from rear.
- 2) See Accessories for Compressor Kits.

SKU#	Product Description	Cooling	Air Inlet	Air Outlet	Notes	Picture	Core Group
286563X	TF501 Flange Mount – Volvo–White	Water/Air	Right	Right	Base Drain Flange Discharge Type	1	501P
289347X	TF700 Flange Mount – Volvo–White	Water/Air	Right	Top	–	2	700N

Governors

Piston Type



Features:

- Operates in conjunction with the compressor unloading mechanism.
- Automatically controls the air pressure in the air supply system between the desired predetermined maximum and minimum pressures.
- Direct compressor or remote mount.

Specifications:

**Port Thread Size** 1/8–27 NPT (Unless Noted)  
**Mounting Holes** .336 diameter  
**Approximate Weight** 1 lb.

Notes:

1) Service Kit use part number **RN32W**.

SKU#	Product Description	Cut-In Pressure	Cut-Out Pressure	Cut-Out Pressure Range	Adjustable	Notes	OEM Part Number	Core Group
KN18530	Piston Type Governor	105 PSI	125 PSI	–	Yes	–	N30190A	–
KN18530RX	Reman. Piston Type Governor – CoreFree™	105 PSI	125 PSI	15–30 PSI above Cut-In	Yes	–	N30190A	–
KN18530X	Reman. Piston Type Governor	105 PSI	125 PSI	15–30 PSI above Cut-In	Yes	–	N30190A	302
KN18531	Piston Type Governor	105 PSI	130 PSI	–	Yes	1/4" Reservoir Ports	N30190AP	–
KN18531X	Reman. Piston Type Governor	105 PSI	130 PSI	15–30 PSI above Cut-In	Yes	1/4" Reservoir Ports	N30190AP	302
KN18532	Piston Type Governor – Water Resistant Applications	105 PSI	130 PSI	–	Yes	Breather Included	N30190AA	–
KN18534	Piston Type Governor – High Temperature Applications	95 PSI	115 PSI	–	Yes	Breather Included	N30190CA	–
KN18534X	Reman. Piston Type Governor	105 ± 5 PSI	115 PSI	15–30 PSI above Cut-In	Yes	High Temperature Applications	N30190CA	302
KN18536	Piston Type Governor – 6 pack of KN18530	105 PSI	125 PSI	–	Yes	–	N30190A	–

**Governors**

**Competitive (Remanufactured)**



**Features:**

- Standard Unit
- Can use KN18530 and KN18530X for this application also.

**Specifications:**

<b>Cut-In Pressure</b>	105-110
<b>Cut-Out Pressure/Range</b>	15-30 PSI above Cut-In
<b>Approximate Weight</b>	1 lb.

**Notes:**

- 1) D2 Maintenance Kit use part number **276121K**.
- 2) D2 High Temp Kit use part number **280915K**.

SKU#	Product Description	Port Size Reservoir	Port Size Unloader	Port Size Exhaust	Core Group
275491RX	Remanufactured D-2 Style Governor – CoreFree™	1/8"	1/8"	1/8"	-

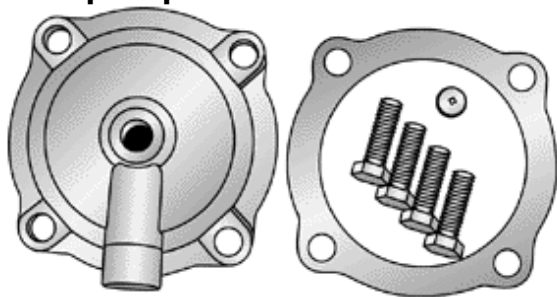


**Air Cleaners**



SKU#	Product Description	Mounting Measurements	Overall Height	Diameter	Application	OEM Part Number
100696A	Air Cleaner Filter	-	-	-	KN19000 KN19010	-
100696E	Air Cleaner Filter	-	-	-	KN33000 KN33002 KN33010 KN33011 KN33012 KN19040	-
KN19000	Air Cleaner Assembly with Filter	Mounting centers 2.75	3.48	3.00	For use with EL740 Compressors only.	100783A
KN19010	Air Cleaner Assembly with Filter	Mounting thread size 3/8-18 NPT	-	3.00	For use with EL740 Compressors only.	100783B
KN19040	Air Cleaner Assembly with Filter	Mounting centers 2.75	4.44	4.30	For use with all compressor types	100783E

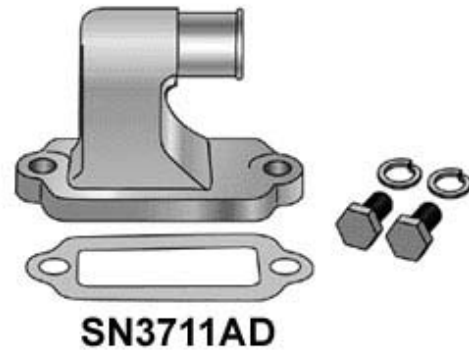
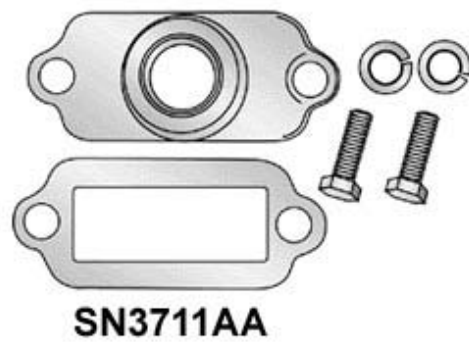
End Cap Repair Kit



SKU#	Product Description	Application/Notes
RN26HH	End Cap (Rear) Repair Kit for Compressor	For use with EL850, EL1300, EL1600, EL3200 Compressors with ball bearing style rear main bearing.

Changeover Kits

Intake Manifold



SKU#	Product Description	Hose	Pipe	Mounting Centers
SN3711AA	Compressor Manifold Kit (Intake)	-	1/2"	2.75
SN3711AB	Compressor Manifold Kit (Intake)	-	1/2"	2.75
SN3711AC	Compressor Manifold Kit (Intake)	-	3/4"	2.75
SN3711AD	Compressor Manifold Kit (Intake)	3/4"	-	2.75
SN3711AK	Compressor Manifold Kit (Intake)	1"	-	2.75

Changeover Kits

Discharge Manifold

SN3711AH



SN3711J



For All EL1300/EL1600 Compressors



SN3711L



SN3711K

SKU#	Product Description	Features	Notes
SN3711AH	Compressor Manifold Kit (Discharge)	Manifold Pipe – 1/2 " NPT	Side Outlet Discharge
SN3711J	Compressor Manifold Kit (Discharge)	Manifold Pipe – 1/2" NPT	Kit needed to convert to threaded discharge applications.
SN3711K	Compressor Manifold Kit (Discharge)	Manifold Tube – 5/8"	Right Hand Discharge
SN3711L	Compressor Manifold Kit (Discharge)	Manifold Tube – 5/8"	Left Hand Discharge

Changeover Kits

Miscellaneous



**Inlet Check Valve**



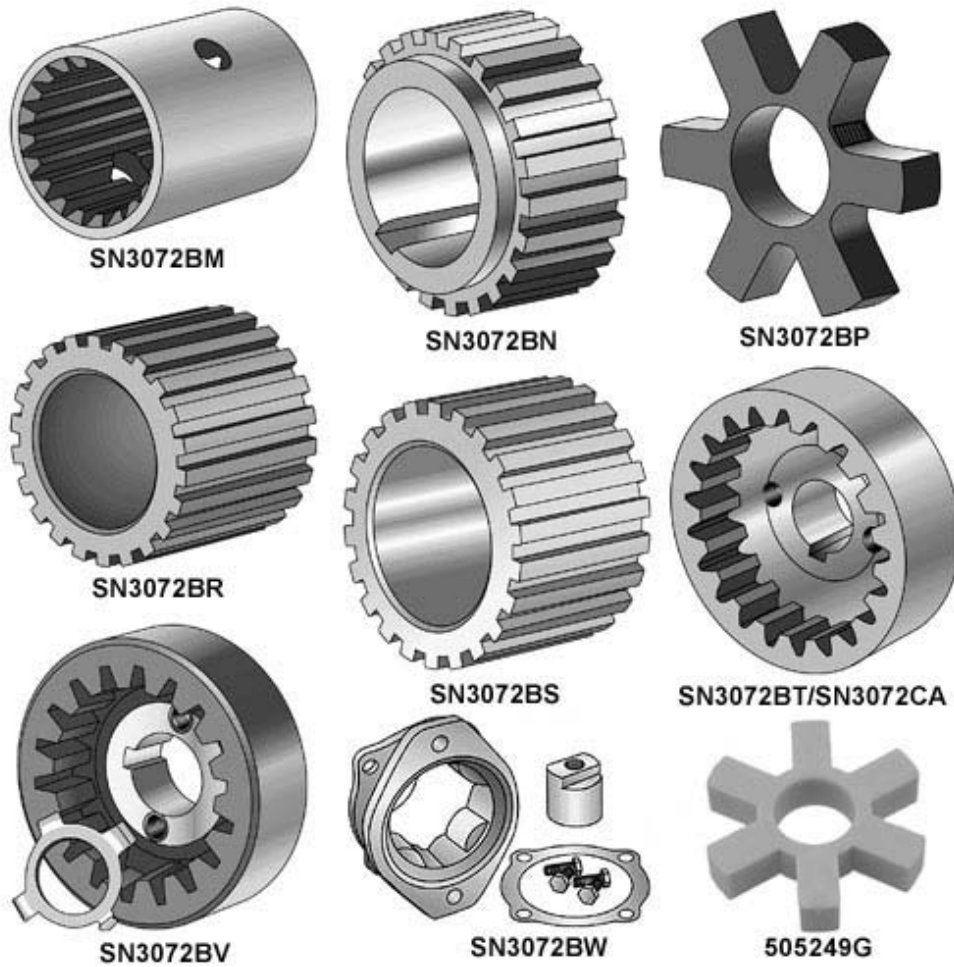
**Waterline Changeover Kit**



**Discharge Line Kit**

SKU#	Product Description	Application	Length
5016415K	Bendix® Adapter Kit	TF550 Compressor Converts standard to metric ports	-
KN17500	Compressor Discharge Line Kit (Flexible)	For easy changeover from a Bendix side mount discharge to a top discharge Midland compressor.	18"
KN17501	Compressor Discharge Line Kit (Flexible)	For easy changeover from a Bendix side mount discharge to a top discharge Midland compressor.	24"
KN17503	Compressor Discharge Line Kit (Flexible)	For easy changeover from a Bendix side mount discharge to a top discharge Midland compressor.	48"
KN17504	Compressor Discharge Line Kit (Flexible)	For easy changeover from a Bendix side mount discharge to a top discharge Midland compressor.	60"
SN3502	Compressor Waterline Changeover Kit (Universal)	EL1300/EL1600 Compressor	24" of 1/2" inside diameter water hose included in kit.
SN3711AJ	Compressor Inlet Check Valve	EL1300/1600 Compressor	-

Drive Gear Kits



SKU#	Product Description	Application/Notes	Sleeve Length
505249G	Spider Gear – Compressor to Fuel Pump	To replace Detroit 23505249.	-
SN3072BM	Drive Gear Kit	To replace Cummins 200824.	2.75"
SN3072BN	Drive Gear Kit	To replace Cummins 200398.	-
SN3072BP	Drive Gear Kit	To replace Cummins 162426 fuel pump coupling.	-
SN3072BR	Drive Gear Kit	To replace DDC 5141773 coupling.	2.54"
SN3072BS	Drive Gear Kit	To replace DDC 5140982 coupling.	1.85"
SN3072BT	Drive Gear Kit – Metal Gear	To replace DDC drive hub, fits all DDC.	-
SN3072BV	Drive Gear Kit	To replace Mack 320GB11A and 102533A, drive hub and retaining washer.	-
SN3072BW	Drive Gear Kit (Thru-Drive)	Cummins Only.	-
SN3072CA	Drive Gear Kit – Fiber Gear	To replace DDC drive hub, fits all DDC.	-

Gaskets – Manifold



102368BV  
SIDE EXHAUST



E172003  
EXHAUST



102368CS  
EXHAUST



E172002  
INLET



102368DA  
INLET

SKU#	Product Description
102368BV	Side Exhaust Gasket for Compressor Manifold
102368DA	Inlet Gasket for Compressor Manifold
E172002	Inlet Gasket for Compressor Manifold
E172003	Exhaust Gasket for Compressor Manifold

Gaskets – Mounting



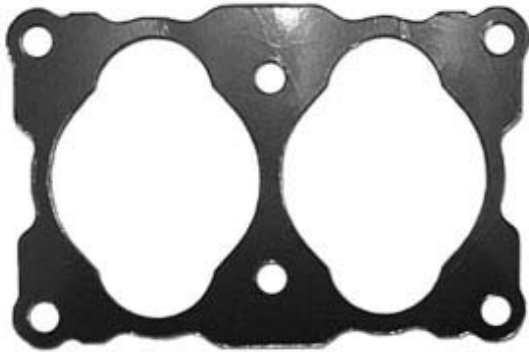
SKU#	Product Description	Application/Notes
102368CH	Compressor Mounting Gasket	Mack and Caterpillar Flange Mount
102368CJ	Compressor Mounting Gasket	Detroit Diesel, All Flange Mounts
102368CK	Compressor Mounting Gasket	Cummins, Flange To Fuel Pump Or Engine (External Oil Feed)
102368CL	Compressor Mounting Gasket	Caterpillar, Flange Mount To 3306 Engine
102368CM	Compressor Mounting Gasket	Cummins B-Series
102368CN	Compressor Mounting Gasket	Cummins C-Series
102368CV	Compressor Mounting Gasket	6-Bolt Base Mount
102368CW	Compressor Mounting Gasket	Cummins In-Line, Flange To Engine (Internal Oil Feed)
E172005	Compressor Mounting Gaskets	OEM Number – 102368CD, 4-Bolt Base Mount



---

**Gaskets/Small Parts**

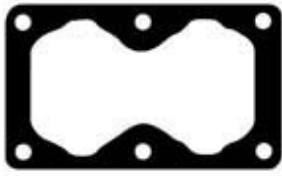
**TF550/TF750**



SKU#	Product Description	Application
298715K	Cylinder Head Gasket	TF550/TF750 Compressors

Gaskets/Small Parts

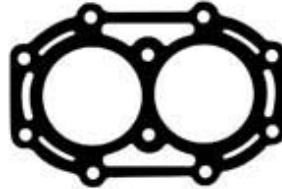
Model 7.4, EL740 or Model 12



102368BM



102368BJ



102368BG



102368BA



102368BC

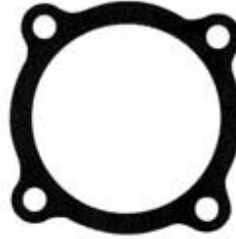
SKU#	Product Description	Application
102368BA	Crankcase To Front Bearing Cap Gasket	7.4, EL740 or Model 12 Compressors
102368BC	Crankcase To Rear Bearing Cap Gasket	7.4, EL740 or Model 12 Compressors
102368BG	Cylinder Head Gasket	Model 12 Compressor
102368BJ	Cylinder Head Gasket	7.4 or EL740 Compressor
102368BM	Crankcase To Block Gasket	7.4, EL740 or Model 12 Compressors

**Gaskets/Small Parts**

EL850



102368BL



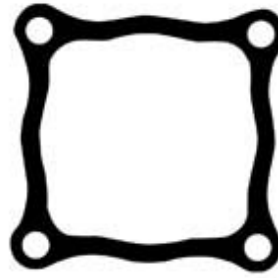
102368BD



102368CE



102374A

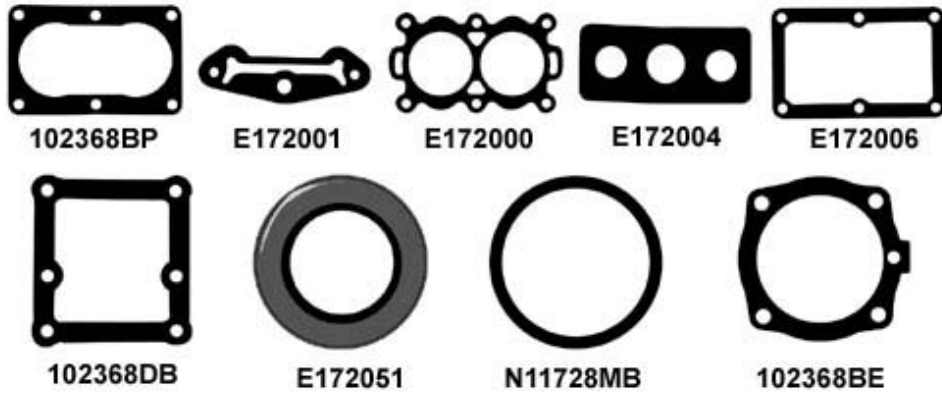


102368BR

SKU#	Product Description
102368BD	End Cap to Crankcase Gasket for EL850 Compressors
102368BL	Cylinder Head Gasket for EL850 Compressors
102368BR	Crankcase to Block Gasket for EL850 Compressors
102368CE	Bottom Plate Gasket for EL850 Compressors

Gaskets/Small Parts

EL1300 & EL1600



SKU#	Product Description	Application
102368BE	End Cap To Crankcase Gasket	EL1300/EL1600 Compressors
102368BP	Crankcase to Block Gasket	EL1300/EL1600 Compressors
102368DB	Adapter Gasket	Caterpillar – 3208
E172000	Cylinder Head Gasket	EL1300/EL1600 Compressors
E172001	Unloader Cover To Head Gasket	EL1300/EL1600 Compressors
E172004	Governor Mounting	For KN18530 Governor
E172006	Crankcase to Bottom Cover Plate Gasket	EL1300/EL1600 Compressors
E172051	Front Shaft Oil Seal	EL1300/EL1600 Compressors
N11728MB	O-Ring for Compressor Rear End Cap	Mack Only

**Gasket and Installation Kits**

**Haldex/Midland Base Mount**

Product Image Not Available

SKU#	Product Description	Application	Application	Application	Application	Application	Application
RN26GV	Gasket Kit for EL740	KN7000X, KN7010X,	KN7020X, KN7030X,	KN7040X, KN7041X,	KN7050X,	KN7170X,	KN7180X
RN26GW	Gasket & Seal Kit for EL1300/EL1600	EL13020, EL13020X, EL13021X,	EL13022, EL13022X, EL13023X,	EL13060, EL13060X,	EL13140, EL13140X,	EL16020, EL16020X,	EL16060, EL16060X
RN26JG	Gasket & Seal Kit for EL850	KN85020, KN85020X,	KN85021,	KN85022,	KN86020,	KN86020X,	KN86021
SN144	Installation Kit for EL1300/EL1600	EL13020,	EL13020X,	EL13021X,	EL16020,	EL16020X	-
SN144A	Installation Kit for EL1300/EL1600	EL13022,	EL13022X,	EL16022,	EL16022X	-	-
SN144AA	Installation Kit for EL740	KN7000X,	KN7030X	-	-	-	-
SN144AB	Installation Kit for EL740	KN7010X,	KN7020X,	KN7040X,	KN7041X,	KN7050X,	-
SN144ABA	Installation Kit for EL740	KN7170X	KN7180X	-	-	-	-
SN144D	Installation Kit for EL1300/EL1600	EL13060X	EL16060X	-	-	-	-

Gasket and Installation Kits

Haldex/Midland Flange Mount

Product Image Not Available

SKU#	Product Description	Application	Application	Application	Application	Application	Application
RN26GX	Gasket & Seal Kit for EL1300/EL1600	EL13040X,	EL13220,	EL13220X,	EL13280	EL16040X	-
RN26GY	Gasket & Seal Kit for EL1300/EL1600/EL3200 – Detroit Diesel	EL13050, EL13050X, EL13051, EL13051X, EL13052, EL13053, EL13053X,	EL13070, EL13070X, EL13090, EL13090X, EL13100, EL13100X, EL13160, EL13160X,	EL14050, EL14051, EL16050, EL16050X,	EL16051, EL16051X, EL16052, EL16053, EL16053X, EL16070, EL16070X,	EL16072, EL16072X, EL16090, EL16090X, EL16100, EL16100X,	EL16160, EL16160X, EL16250, EL16250X
RN26GZ	Gasket & Seal Kit for EL1300/EL1600/EL3200 – Mack In-Line	EL13111, EL13111X,	EL13112, EL13112X,	Two kits required for EL14111 and EL14111X	EL16111, EL16111X,	EL16112, EL16112X,	-
RN26HA	Gasket & Seal Kit EL1300/EL1600	EL13041, EL13080X, EL13081X,	EL13120, EL13120X, EL13151, EL13151X,	EL13170, EL13170X, EL13200, EL13200X, EL13280, EL13280X,	EL13300, EL13301, EL13301X, EL13330,	EL16080X, EL16120, EL16120X,	EL16200, EL16200X, EL16280, EL16280X, EL16330
RN26JH	Gasket & Seal Kit for EL850	KNT85230,	KNT85230X,	KNT86230,	KNT86230X	-	-
SN144AC	Installation Kit for EL740 – Detroit Diesel	KN7070X,	KN7080X	-	-	-	-
SN144AM	Installation Kit for EL850	KNT85230X,	KNT86230X	-	-	-	-
SN144AP	Installation Kit for EL1300/EL1600 – Detroit Diesel 0°	EL13051,	EL13051X,	EL16051,	EL16051X	-	-
SN144B	Installation Kit for EL1300/EL1600 – Cummins	EL13220,	EL13220X,	EL13040,	EL13040X,	EL16040,	EL16040X
SN144BA	Installation Kit for EL1300 – Cummins	EL13220,	EL13220X	-	-	-	-
SN144BD	Installation Kit for EL1300/EL1600 – Detroit Diesel 60-Series	EL13053,	EL13053X,	EL16053,	EL16053X	-	-
SN144BE	Installation Kit for EL1300/EL1600 – Detroit Diesel 60-Series	EL13312,	EL13312X,	EL16312,	EL16312X	-	-
SN144C	Installation Kit for EL1300/EL1600 – Detroit Diesel 0° & 75°	EL13050,	EL13050X,	EL16050,	EL16050X,	EL16250,	EL16250X
SN144E	Installation Kit for EL1300/EL1600 – Detroit Diesel 0°	EL13070,	EL13070X,	EL16072,	EL16072X,	One each SN3711G and SN144E needed to install EL16070	One each SN3711G and SN144E needed to install EL16070X

# Accessories

# 10-COMPRESSORS

SN144F	Installation Kit for EL1300/EL1600 – Caterpillar	EL13080X	EL13081X	EL16080X	-	-	-
SN144G	Installation Kit for EL1300/EL1600 – Detroit Diesel 41°	EL13090,	EL13090X,	EL16090,	EL16090X	-	-
SN144H	Installation Kit for EL1300/EL1600 – Detroit Diesel 50°	EL13100,	EL13100X,	EL16100,	EL16100X	-	-
SN144J	Installation Kit for EL1300/EL1600 – Mack	EL13111, EL13111X,	EL13112, EL13112X,	EL16111, EL16111X	EL16112, EL16112X	-	-
SN144K	Installation Kit for EL1300/EL1600 – Caterpillar	EL13120,	EL13120X,	EL16120,	EL16120X	-	-
SN144L	Installation Kit for EL1300 – Caterpillar 3306 Engine	EL13151,	EL13151X	-	-	-	-
SN144M	Installation Kit for EL1300/EL1600 – Detroit Diesel 45°	EL13160,	EL13160X,	EL16160,	EL16160X	-	-
SN144N	Installation Kit for EL1300/EL1600 Caterpillar 3176 Engine	EL13170, EL13170X,	EL13200, EL13200X,	EL13300, EL13330,	EL13301, EL13301X,	EL16200, EL16200X,	EL16330
SN144X	Installation Kit for EL3200 – Mack In-Line	EL14111,	EL14111X	.	-	-	-

Gasket and Installation Kits

Competitive Base Mount

Product Image Not Available

SKU#	Product Description	Application	Application	Application	Application	Application	Application
101558K	Gasket Kit for Bendix® TF501	102697X, 102698X, 102734X, 102742X, 102953X, 102989X, 103274X, 286526X, 286527X, 286528X,	286529X, 286530X, 286532X, 286533X, 286536X, 286537X, 286538X, 286539X, 286540X, 286541X,	286542X, 286543X, 286544X, 286546X, 286550X, 286551X, 286552X, 286554X, 286555X,	286556X, 286557X, 286558X, 286560X, 286561X, 286562X, 286563X, 286564X, 286566X,	286567X, 286574X, 286576X, 286578X, 286579X, 286580X, 286581X, 286582X, 286584X,	286585X, 286586X, 286589X, 286591X, 286592X, 286595X, 286623X, 586535X, 586565X
101559K	Gasket Kit for Bendix® TF500/TF700	101158X, 101256X, 101636X, 103278X, 106268X,	280369X, 280622X, 280626X, 282013X, 284307X,	284714X, 285108X, 289262X, 289336X,	289339X, 289340X, 289342X, 289348X,	289349X, 289350X, 289744X, 289915X,	289924X, 289925X, 289941X, 289964X
280511K	Gasket Kit for Bendix® TF400	101142X, 101242X, 227400X, 227401X,	227402X, 227403X, 227406X, 227407X,	227409X, 227410X, 229077X, 275317X,	276166X, 276778X, 279037X,	279712X, 283505X, 283506X,	289686X, 289688X, 289689X
280512K	Gasket Kit for Bendix® TF500/TF600	227320X, 227321X, 227323X, 227326X, 227331X, 227332X, 228141X, 228366X, 228443X, 228479X, 229078X, 229525X,	275777X, 276990X, 276961X, 276962X, 276974X, 277122X, 277694X, 277730X, 277731X, 277901X, 278604X, 278605X,	278681X, 279068X, 279069X, 279356X, 279556X, 279995X, 280453X, 280556X, 280570X, 280602X, 280603X,	280604X, 280608X, 280609X, 280610X, 280611X, 280613X, 280774X, 281042X, 281157X, 281677X, 282010X,	282011X, 282025X, 282076X, 282586X, 282621X, 282928X, 283513X, 283514X, 283515X, 283577X, 283585X,	283690X, 283692X, 284010X, 284106X, 284260X, 284310X, 284662X, 284699X, 284718X, 284959X, 285252X,
BN144A	Installation Kit for Bendix® Base Mount	101242X, 101256X, 107514X, 107866X, 108066X, 108110X, 108277X, 227320X, 227321X,	227322X, 227323X, 227400X, 227401X, 227402X, 227403X, 227406X, 227407X, 228141X,	228479X, 229990X requires BN144C also, 275317X, 275990X, 277694X,	279356X, 280453X, 280602X, 280603X, 280604X, 280613X, 282076X, 283690X,	286526X, 286527X, 286528X, 286529X, 286530X, 286532X, 286533X, 286560X,	286582X, 286586X, 286589X, 286591X, 286595X, 289350X, 289689X,
BN144B	Installation Kit for Bendix® 6-Hole Base Mount	227331X, 227332X	227409X, 227410X	280610X, 280611X	286535X, 286536X	286537X, 286576X	286578X, 289924X
BN144C	Installation Kit for Bendix® Base Mount	229990X requires use of BN144A also,	276777X requires use of BN144E also,	102698X, 228366X, 279037X,	279712X, 283506X, 283514X,	283585X, 286556X, 286557X,	286565X, 289688X
BN144D	Installation Kit for Bendix® Slant Mount	229077X	229078X	283505X	283513X	-	-
BN144J	Installation Kit for Bendix®	101142X	102989X	286585X	-	-	-



# Accessories

# 10-COMPRESSORS

	Base Mount						
BN144K	Installation Kit for Bendix® TF501 Slant Mount	286558X	286561X	286562X	-	-	-
BN144R	Installation Kit for Bendix® BX2150 Base Mount	104039X	104041X	106985X	107221X	-	-
BN144S	Installation Kit for Bendix® TF501	286564X	286567X	286580X	286592X	-	-

Gasket and Installation Kits

Competitive Flange Mount

Product Image Not Available

SKU#	Product Description	Application	Application	Application	Application	Application	Application
101558K	Gasket Kit for Bendix® TF501	102697X, 102698X, 102734X, 102742X, 102953X, 102989X, 103274X, 286526X, 286527X, 286528X,	286529X, 286530X, 286532X, 286533X, 286536X, 286537X, 286538X, 286539X, 286540X, 286541X,	286542X, 286543X, 286544X, 286546X, 286550X, 286551X, 286552X, 286554X, 286555X,	286556X, 286557X, 286558X, 286560X, 286561X, 286562X, 286563X, 286564X, 286566X,	286567X, 286574X, 286576X, 286578X, 286579X, 286580X, 286581X, 286582X, 286584X,	286585X, 286586X, 286589X, 286591X, 286592X, 286595X, 286623X, 586535X, 586565X
101559K	Gasket Kit for Bendix® TF500/TF700	101158X, 101256X, 101636X, 103278X, 106268X,	280369X, 280622X, 280626X, 282013X, 284307X,	284714X, 285108X, 289262X, 289336X,	289339X, 289340X, 289342X, 289348X,	289349X, 289350X, 289744X, 289915X,	289924X, 289925X, 289941X, 289964X
280511K	Gasket Kit for Bendix® TF400	101142X, 101242X, 227400X, 227401X,	227402X, 227403X, 227406X, 227407X,	227409X, 227410X, 229077X, 275317X,	276166X, 276778X, 279037X,	279712X, 283505X, 283506X,	289686X, 289688X, 289689X
280512K	Gasket Kit for Bendix® TF500/TF600	227320X, 227321X, 227323X, 227326X, 227331X, 227332X, 228141X, 228366X, 228443X, 228479X, 229078X, 229525X,	275777X, 276990X, 276961X, 276962X, 276974X, 277122X, 277694X, 277730X, 277731X, 277901X, 278604X, 278605X,	278681X, 279068X, 279069X, 279356X, 279556X, 279995X, 280453X, 280556X, 280570X, 280602X, 280603X,	280604X, 280608X, 280609X, 280610X, 280611X, 280613X, 280774X, 281042X, 281157X, 281677X, 282010X,	282011X, 282025X, 282076X, 282586X, 282621X, 282928X, 283513X, 283514X, 283515X, 283577X, 283585X,	283690X, 283692X, 284010X, 284106X, 284260X, 284310X, 284662X, 284699X, 284718X, 284959X, 285252X,
BN144E	Installation Kit for Bendix® Flange Mount – Detroit Diesel	101158X, 101636X, 106268X, 107512X, 107513X, 107813X, 275777X, 276166X,	276778X, 276961X, 276962X, 278681X, 279068X, 279069X,	276777X requires kit BN144C also, 280369X, 280570X, 280609X, 281042X,	281677X, 282010X, 282011X, 282013X, 282929X, 283515X, 284106X,	285252X, 286538X, 286539X, 286540X, 286541X, 286542X, 286543X, 286579X,	286581X, 286623X, 289262X, 289342X, 289915X, 289925X, 289941X, 289964X
BN144F	Installation Kit for Bendix® TF500/TF600/TF700 Flange Mount	103278X, 227326X, 277730X, 277731X, 277901X,	278604X, 278605X, 279556X, 279995X,	280556X, 280608X, 280774X, 281157X,	282025X, 282586X, 282621X, 284010X,	284260X, 284307X, 284310X, 284662X,	285108X, 289340X, 289349X, 289744X
BN144G	Installation Kit for Bendix® Flange Mount – Cummins	228443X, 229525X,	276974X, 280622X,	280626X, 284339X,	284699X, 284718X,	284959X, 286554X,	286555X, 289339X
BN144H	Installation Kit for Bendix® Flange Mount – Mack	102953X	277122X	283577X	283692X	286574X	289348X
BN144L	Installation Kit for Bendix® Flange	102697X, 103274X,	107508X, 107509X,	107917X, 107981X,	108990X, 108992X,	109142X, 286544X,	286551X, 286552X,

# Accessories

# 10-COMPRESSORS

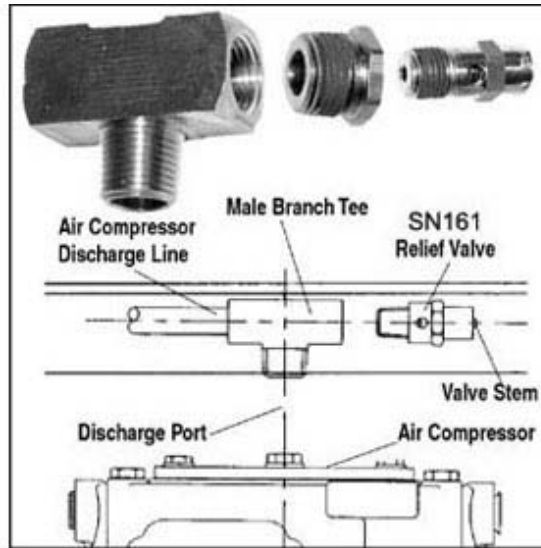
	Mount	107023X, 107506X, 107507X,	107510X, 107511X, 107869X,	108866X, 108869X, 108935X,	109088X, 109139X,	286546X, 286550X,	286566X, 286620X
BN144M	Installation Kit for TF501/TF700 Flange Mount – Caterpillar	109287X	286584X	289336X	–	–	–
BN144N	Installation Gasket Kit for Cummins/Holset Style, Standard Case, L/K/N	3018527X, 3018543X, 3047440X,	3048680X, 3049186X, 3558000X,	3558020X, 3558029X,	3558042X, 3558043X,	3558044X, 3558045X,	3558072X, 3558074X
BN144T	Installation Kit for Bendix® TF501 Flange Mount – Volvo White	286563X	–	–	–	–	–
BN144V	Installation Kit for Bendix® TF550 Flange Mount – Cummins	108804X	–	–	–	–	–
BN144X	Installation Kit for Bendix® TF550/TF750 Flange Mount – Detroit Diesel	107622X	107623X	–	–	–	–
BN144Y	Installation Gasket Kit for Cummins/Holset Style, "B" and "C" Series	3558005X, 3558006X, 3558021X,	3558022X, 3558049X, 3558050X,	3558051X, 3558052X, 3558094X,	3558095X, 3558097X, 3558098X,	3558113X, 3558122X,	3558211X, 3558220X
BN144Z	Installation Kit for Bendix® BX2150 Flange Mount – Cummins	109079X	–	–	–	–	–

Service Kits



SN151/SN151A KIT INCLUDES THESE PARTS

Reduces oil passing around the tube which lowers the pooling effect of the oil in the crankcase.



Prevents air line failure due to excess pressure

SKU#	Product Description	Length	Kit contains	Applications
RN12106K	Cover Plate and Gasket Kit for Compressors	-	Cover Plate and Gasket	Bendix, WABCO, Holset
SN151	Oil Tube Service Kit	3.54"	Oil tube and two o-rings.	EL1300 and EL1600 compressors, Replacement kit for Mack 201GC110 oil entry tube.
SN151A	Oil Tube Service Kit	1.50"	Oil tube and two o-rings.	EL1300 and EL1600 compressors, Replacement kit for Mack 201GC110 oil entry tube.
SN161	Pressure Relief Valve Service Kit	-	One pressure relief valve.	Discharge line relief valve for air compressors.

Connecting Rod and Bearing Kits

Product Image Not Available

Notes:

- 1) Connecting Rod Bearing – One Set per Kit.
- 2) Connecting Rod and Bearing – One Only per Kit.

SKU#	Product Description	Notes
EQ2620	Connecting Rod and Bearing Kit – Standard	Includes Connecting Rod For EL850/EL1300/EL1600/EL3200 Compressors
EQ2621	Connecting Rod and Bearing Kit – .010 US	Includes Connecting Rod For EL850/EL1300/EL1600/EL3200 Compressors
EQ2622	Connecting Rod and Bearing Kit – .020 US	Includes Connecting Rod For EL850/EL1300/EL1600/EL3200 Compressors
EQ2630	Connecting Rod Bearing Kit – Standard	No Connecting Rod For EL850/EL1300/EL1600/EL3200 Compressors
EQ2631	Connecting Rod Bearing Kit – .010 US	No Connecting Rod For EL850/EL1300/EL1600/EL3200 Compressors
EQ2632	Connecting Rod Bearing Kit – .020 US	No Connecting Rod For EL850/EL1300/EL1600/EL3200 Compressors
RN26A	Connecting Rod Bearing Kit – Standard	No Connecting Rod For EL740 Compressor
RN26AL	Connecting Rod Bearing Kit – .010 US	No Connecting Rod For EL740 Compressor

## Piston and Ring Kits

Product Image Not Available

SKU#	Product Description	Notes
107640K	Bendix® TF550/TF750 Ring Set .010	One Set Only
107641K	Bendix® TF550/TF750 Ring Set .020	One Set Only
107642K	Bendix® TF550/TF750 Ring Set .030	One Set Only
225516K	Bendix® TF500 Ring Set .020	One Set Only
225517K	Bendix® TF500 Ring Set .030	One Set Only
226722K	Bendix® TF400 Ring Set .010	One Set Only
226723K	Bendix® TF400 Ring Set .020	One Set Only
226724K	Bendix® TF400 Ring Set .030	One Set Only
282526K	Bendix® TF700 Ring Set .010	One Set Only
282527K	Bendix® TF700 Ring Set .020	One Set Only
282528K	Bendix® TF700 Ring Set .030	One Set Only
289114K	Bendix® TF501 Piston Kit .010	Piston Only
289115K	Bendix® TF501 Piston Kit .020	Piston Only
289116K	Bendix® TF501 Piston Kit .030	Piston Only
289439K	Bendix® TF400 Piston Kit .010	Piston Only
289440K	Bendix® TF400 Piston Kit .020	Piston Only
289441K	Bendix® TF400 Piston Kit .030	Piston Only
289929K	Bendix® TF500 Piston Kit .010	Piston Only
289930K	Bendix® TF500 Piston Kit .020	Piston Only
289931K	Bendix® TF500 Piston Kit .030	Piston Only
550010K	Bendix® TF550 Piston Kit .010	Piston Only
550020K	Bendix® TF550 Piston Kit .020	Piston Only
550030K	Bendix® TF550 Piston Kit .030	Piston Only
550040K	Bendix® TF550 Piston Kit .040	Piston Only
750010K	Bendix® TF750 Piston Kit .010	Piston Only
750020K	Bendix® TF750 Piston Kit .020	Piston Only
750030K	Bendix® TF750 Piston Kit .030	Piston Only
750040K	Bendix® TF750 Piston Kit .040	Piston Only
EQ2604	EL1300/EL1600/EL3200 Piston Kit – Standard	Piston with Wrist Pin and Rings – One Only
EQ2606	EL1300/EL1600/EL3200 Piston Kit .020 OS	Piston with Wrist Pin and Rings – One Only
EQ2614	EL1300/EL1600/EL3200 Ring Kit – Standard	One Set Only
EQ2616	EL1300/EL1600/EL3200 Ring Kit .020 OS	One Set Only
EQ2640	EL850 Piston Kit – Standard	Piston with Wrist Pin and Rings – One Only
EQ2650	EL850 Ring Kit – Standard	One Set Only
EQ2670	EL740 Ring Kit – Standard	One Set Only
EQ2672	EL740 Ring Kit .020 OS	One Set Only

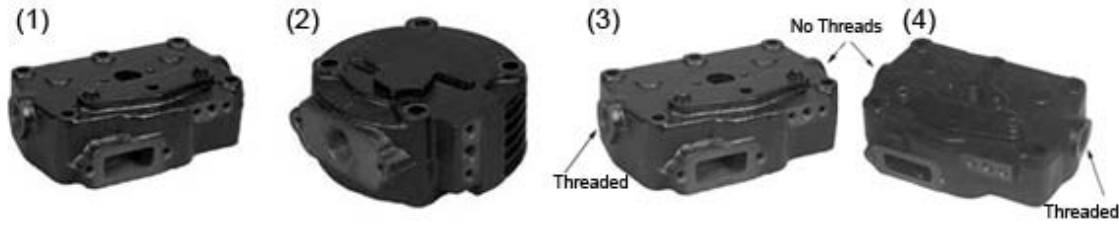
---

**Insert Kits****Product Image Not Available**

SKU#	Product Description
282763K	Bendix® TF400 Insert Kit Standard
282764K	Bendix® TF400 Insert Kit .010
282765K	Bendix® TF400 Insert Kit .020
282766K	Bendix® TF400 Insert Kit .030
282767K	Bendix® TF500 Insert Kit Standard
282768K	Bendix® TF500 Insert Kit .010
282769K	Bendix® TF700 Insert Kit .020
282770K	Bendix® TF700 Insert Kit .030
286254K	Bendix® TF501 Insert Kit Standard
286255K	Bendix® TF501 Insert Kit .010
286256K	Bendix® TF501 Insert Kit .020
286257K	Bendix® TF501 Insert Kit .030

Head Assemblies

EL850/EL1300/EL1600/EL3200



SKU#	Product Description	Cooling	Installation Kit	Approximate Weight	Application	Picture	Core Group
KN17091X	Reman. EL3200 Head Assembly	Water Cooled (Rear)	SN144AY	13 lbs.	EL3200 Compressors	3	1700
KN17092X	Reman. EL3200 Head Assembly	Water Cooled (Front)	SN144AY	13 lbs.	EL3200 Compressors	4	1700
KNT17090	New EL1300/EL1600 Head Assembly Kit	Water Cooled	-	13 lbs.	EL1300/EL1600 Compressors	1	-
KNT17090X	Reman. EL1300/EL1600 Head Assembly	Water Cooled	SN144Y	13 lbs.	EL1300/EL1600 Compressors	1	1700
KNT17300	New EL850 Head Assembly Kit	Air Cooled	-	7 lbs.	EL850 Compressors Air Cooled	2	-
KNT17300X	Reman. EL850 Head Assembly	Air Cooled	SN144R	7 lbs.	EL850 Compressors Air Cooled	2	1702
KNT17400	New EL850 Head Assembly Kit	Water Cooled	-	7 lbs.	EL850 Compressors Water Cooled	2	-
KNT17400X	Reman. EL850 Head Assembly	Water Cooled	SN144R	7 lbs.	EL850 Compressors Water Cooled	2	1702



---

## Head Assemblies

### Bendix



**Specifications:**

**Approximate Weight** 14.5 lbs.

SKU#	Product Description	Core Group
298718X	Remanufactured Bendix® Compressor 550/750 Head Assembly	550H1

Head Assemblies

Cummins/Holset Style



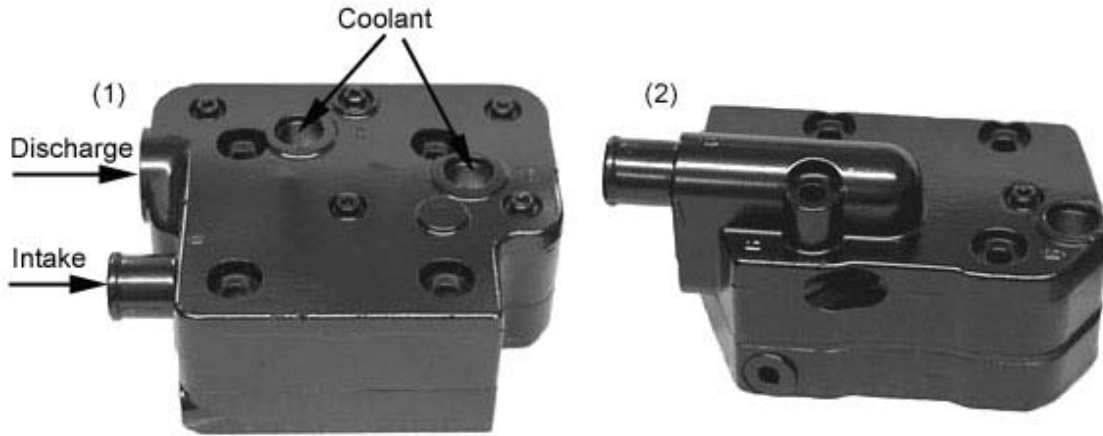
Specifications:

Approximate Weight 9.5 lbs.

SKU#	Product Description	Ports	Core Group
3559570X	Reman. Holset Quiet Economy (QE) Compressor Head Assembly	3/4"-16 straight thread o-ring water ports	CUM5
3559591X	Reman. Holset Quiet Economy (QE) Compressor Head Assembly	3/8" pipe thread (Mack Style) water ports	CUM6

Head Assemblies

WABCO



STOR – Straight Thread O-Ring

SKU#	Product Description	Model	Bore Size	Water Port	Discharge Port	Governor Port	Pic. #	Core Group
9111539202X	Reman. WABCO Head Assembly – Cummins	WABCO SS318	85MM	3/4" – 16 STOR	M27 – 2.0 STOR	M10 – 1.0 STOR	1	WAB12
9111539212X	Reman. WABCO Head Assembly – Cummins	WABCO SS318	85MM	M18 – 1.5 STOR	M27 – 2.0 STOR	M10 – 1.0 STOR	1	WAB12
9111539312X	Reman. WABCO Head Assembly – Mack	WABCO SS318	85MM	3/8" NPT	1/2" NPT	1/8" – 27 NPT	1	WAB12
9111549202X	Reman. WABCO Head Assembly – Cummins	WABCO SS250	75MM	3/4" – 16 STOR	M27 – 2.0 STOR	M10 – 1.0 STOR	2	WAB11

## Head Assemblies

### Repair Kits

Product Image Not Available

SKU#	Product Description	Application
3559545GK	Head Gasket Kit for Cummins/Holset Style	Models SS296/SS296C/ST676
3559545K	Minor Head Repair Kit for Cummins/Holset Style	Models SS296/SS296C/ST676
3559547GK	Head Gasket Kit for Cummins/Holset Style	Model ST676 Super Twin Cylinder
3559547K	Minor Head Repair Kit for Cummins/Holset Style	Model ST676 Super Twin Cylinder
3559551K	Major Head Repair Kit for Cummins/Holset Style	Models SS296/SS296C/ST676
3559555K	Major Head Repair Kit for Cummins/Holset Style	Model ST676 Super Twin Cylinder
3559569GK	Head Gasket Kit for Cummins/Holset Style	Quiet Economy (QE) Models
3559576K	Head/Valve Repair Kit for Cummins/Holset Style	Quiet Economy (QE) Models
RN26DW	Head Repair Kit	EL740 Compressors
RNT26	Head Repair Kit	EL1300/EL1600/EL3200 Compressors
RNT26JA	Head Repair Kit	EL850 Compressors

Unloader Assemblies and Kits

Haldex/Midland Unloader Kits



Notes:

- 1) Two kits required for EL3200 Compressors.

SKU#	Product Description
KN18011	Unloader Kit for EL740 Compressors
RN33C	Unloader Kit for EL740 Compressors
RNT26A	Unloader Kit for EL1300/EL1600/EL3200 Compressors
RNT26JB	Unloader Repair Kit for EL850 Compressors

**Unloader Assemblies and Kits**

**Cummins/Holset Style Unloader Assemblies**



SKU#	Product Description	Application	Core Group
3559571X	Reman. Quiet Economy (QE) Unloader Assembly for Cummins/Holset Style Compressor	LMNKO Series Engines	CUMUL
3559582X	Reman. Quiet Economy (QE) Unloader Assembly for Cummins/Holset Style Compressor	"B" Auto J Series Engines	CUMUL
3559586X	Reman. Quiet Economy (QE) Unloader Assembly for Cummins/Holset Style Compressor	"C" Series Engines	CUMUL

Unloader Assemblies and Kits

Bendix®



Notes:

- 1) 108847K can not be used if the Compressor to be serviced has an Unloader Piston of 1/4" diameter. Use Maintenance Kit 108848K in servicing Compressor.

SKU#	Product Description
107515K	Unloader Kit for Bendix® TF550/TF750 Flange Mount Compressor
108847K	Unloader Kit for Bendix® BX2150 with 3/8" Unloader Piston
108848K	Unloader Kit for Bendix® BX2150 with 1/4" Unloader Piston
279614K	Unloader Kit for Bendix® TF400 Compressors
279615K	Unloader Kit for Bendix® TF500/TF501/TF600/TF700 Compressors
5008557AK	Unloader Kit (Minor) for Bendix® BA-921 Compressor

Unloader Assemblies and Kits

Cummins/Holset Style



3559546K



3559553K



3559568K

SKU#	Product Description	Application
3559546K	Minor Unloader Kit for Cummins/Holset Style	E Type Unloader
3559553K	Major Unloader Kit for Cummins/Holset Style	E Type Unloader
3559568K	Unloader Maintenance Kit for Cummins/Holset Style	Quiet Economy (QE)



## Troubleshooting Information

CONDITION	POSSIBLE CAUSE	RESOLUTION
Compressor fails to maintain sufficient pressure or adequate air supply.	Dirty air cleaner.	Clean or replace element as necessary.
	Restriction in compressor cylinder head intake discharge cavities or line.	Repair or replace as necessary.
	Leaking or broken inlet or exhaust valves.	Repair or replace valves as necessary.
	Drive belt slipping.	Adjust or replace belt.
	Excessive system leakage.	Check all fittings and connections.
	Defective governor.	Repair or replace governor as necessary.
	Governor with improper setting.	Adjust governor as necessary.
	Gauge defective.	Replace gauge as necessary
Noisy operation.	Loose drive pulley.	Tighten, repair or replace pulley as necessary.
	Restrictions in cylinder head or discharge line.	Repair or replace as necessary.
	Worn or burned out bearings.	Repair or replace as necessary.
	Compressor not getting proper lubrication.	Service lubrication system as necessary.
	Excessive wear.	Overhaul or replace compressor as necessary.
Compressor not unloading (excessive pressure).	Defective unloader pins or seals.	Replace pins/seals as necessary.
	Defective governor.	Repair or replace governor as necessary.
	Reservoir line to governor restricted.	Repair or replace line as necessary.
	Unloader mechanism binding or stuck.	Repair unloader as necessary.
	Gauge defective.	Replace gauge as necessary.
Compressor passes excessive oil.	Excessive wear.	Overhaul or replace compressor as necessary.
	Dirty air cleaner.	Clean or replace element as necessary.
	High inlet vacuum (obstructed intake).	Service intake as necessary.
	Small or restricted oil return line flooding compressor.	Repair or replace return line as necessary.
	Excessive oil pressure.	Service lubrication system as necessary.
	Defective or worn seal in rear bearing cap	Replace seal as necessary.
	Piston rings improperly installed.	Remove and Reinstall as necessary.
	Back pressure from engine crankcase.	Check engine ventilation system, excessive engine blow by (piston rings).
	Intake pipe restricted; too long or too small.	Repair or replace pipe as necessary.

**Notes**

Haldex ([www.haldex.com](http://www.haldex.com)), headquartered in Stockholm, Sweden, is a provider of proprietary and innovative solutions to the global vehicle industry, with focus on products in vehicles that enhance safety, environment and vehicle dynamics.

Haldex is listed on the Stockholm Stock Exchange. Haldex has a yearly turnover of close to 8.5 billion SEK and employs 4,700 people.

Warning: The products described within this literature, including without limitation, product features, specifications, designs, availability and pricing are subject to change by Haldex and its subsidiaries at any time without notice.

This document and other information from Haldex, its subsidiaries and authorized distributors provide product and/or system options for further investigation by users having technical expertise. It is important that you analyze all aspects of your application and review the information concerning the product or system, in the current literature or catalog. Due to the variety of operating conditions and applications for these products or systems, the user, through their own analysis and testing, is solely responsible for making the final selection of the products and systems and assuring that all performance, safety and warning requirements are met.

©2010, Haldex AB - This material may contain Haldex trademarks and third party trademarks, trade names, corporate logos, graphics and emblems which are the property of their respective companies. The contents of this document may not be copied, distributed, adapted or displayed for commercial purposes or otherwise without prior written consent from Haldex.

#### **Austria**

Haldex Wien Ges.m.b.H.  
Vienna  
Tel.: +43 1 8 69 27 97  
Fax: +43 1 8 69 27 97 27  
E-Mail: [info.AT@Haldex.com](mailto:info.AT@Haldex.com)

#### **Belgium**

Haldex N.V.  
Balegem  
Tel.: +32 9 363 90 00  
Fax: +32 9 363 90 09  
E-Mail: [info.BE@Haldex.com](mailto:info.BE@Haldex.com)

#### **Brazil**

Haldex do Brasil Ind. e Com. Ltda.  
São Paulo  
Tel.: +55 11 213 55 000  
Fax: +55 11 503 49 515  
E-Mail: [info.BR@Haldex.com](mailto:info.BR@Haldex.com)

#### **Canada**

Haldex Ltd.  
Cambridge, Ontario  
Tel.: +1 519 621 6722  
Fax: +1 519 621 3924  
E-Mail: [info.CA@Haldex.com](mailto:info.CA@Haldex.com)

#### **China**

Haldex International Trading Co. Ltd.  
Shanghai  
Tel.: +86 21 5240 0338  
Fax: +86 21 5240 0177  
E-Mail: [info.CN@Haldex.com](mailto:info.CN@Haldex.com)

#### **France**

Haldex Europe SAS  
Weyersheim (Strasbourg)  
Tel.: +33 3 88 68 22 00  
Fax: +33 3 88 68 22 09  
E-Mail: [info.EUR@Haldex.com](mailto:info.EUR@Haldex.com)

#### **Germany**

Haldex Brake Products GmbH  
Heidelberg  
Tel.: +49 6221 7030  
Fax: +49 6221 703400  
E-Mail: [info.DE@Haldex.com](mailto:info.DE@Haldex.com)

#### **Hungary**

Haldex Hungary Kft.  
Szentlőrincváta  
Tel.: +36 29 631 300  
Fax: +36 29 631 301  
E-Mail: [info.HU@Haldex.com](mailto:info.HU@Haldex.com)

#### **India**

Haldex India Limited  
Nasik  
Tel.: +91 253 2380094  
Fax: +91 253 2380729  
E-Mail: [info.IN@Haldex.com](mailto:info.IN@Haldex.com)

#### **Italy**

Haldex Italia Srl.  
Biassono (Milan)  
Tel.: +039 47 17 02  
Fax: +039 27 54 309  
E-Mail: [info.IT@Haldex.com](mailto:info.IT@Haldex.com)

#### **Korea**

Haldex Korea Ltd.  
Seoul  
Tel.: +82 2 2636 7545  
Fax: +82 2 2636 7548  
E-Mail: [info.KR@Haldex.com](mailto:info.KR@Haldex.com)

#### **Mexico**

Haldex de Mexico S.A. De C.V.  
Monterrey  
Tel.: +52 81 8156 9500  
Fax: +52 81 8313 7090

#### **Poland**

Haldex Sp. z.o.o.  
Praszka  
Tel.: +48 34 350 11 00  
Fax: +48 34 350 11 11  
E-Mail: [info.PL@Haldex.com](mailto:info.PL@Haldex.com)

#### **Russia**

OOO Haldex RUS  
Moscow  
Tel.: +7 495 747 59 56  
Fax: +7 495 786 39 70  
E-Mail: [info.RU@Haldex.com](mailto:info.RU@Haldex.com)

#### **Spain**

Haldex España S.A.  
Granollers  
Tel.: +34 93 84 07 239  
Fax: +34 93 84 91 218  
E-Mail: [info.ES@Haldex.com](mailto:info.ES@Haldex.com)

#### **Sweden**

Haldex Brake Products AB  
Landskrona  
Tel.: +46 418 47 60 00  
Fax: +46 418 47 60 01  
E-Mail: [info.SE@Haldex.com](mailto:info.SE@Haldex.com)

#### **United Kingdom**

Haldex Ltd.  
Newton Aycliffe  
Tel.: +44 1325 310 110  
Fax: +44 1325 311 834  
E-Mail: [info.GBAy@Haldex.com](mailto:info.GBAy@Haldex.com)

Haldex Brake Products Ltd.  
Redditch  
Tel.: +44 1527 499 499  
Fax: +44 1527 499 500  
E-Mail: [info.GBRe@Haldex.com](mailto:info.GBRe@Haldex.com)

#### **USA**

Haldex Brake Products Corp.  
Kansas City  
Tel.: +1 816 891 2470  
Fax: +1 816 891 9447  
E-Mail: [info.US@Haldex.com](mailto:info.US@Haldex.com)



[www.haldex.com](http://www.haldex.com)

Commercial Vehicle Systems