

Heavy-Duty Automatic Accessory Drive Belt Tensioners & Idler Pulleys

Diesel engines are inherently harsh on automatic tensioners. They literally shake and vibrate ordinary designs to a premature end.

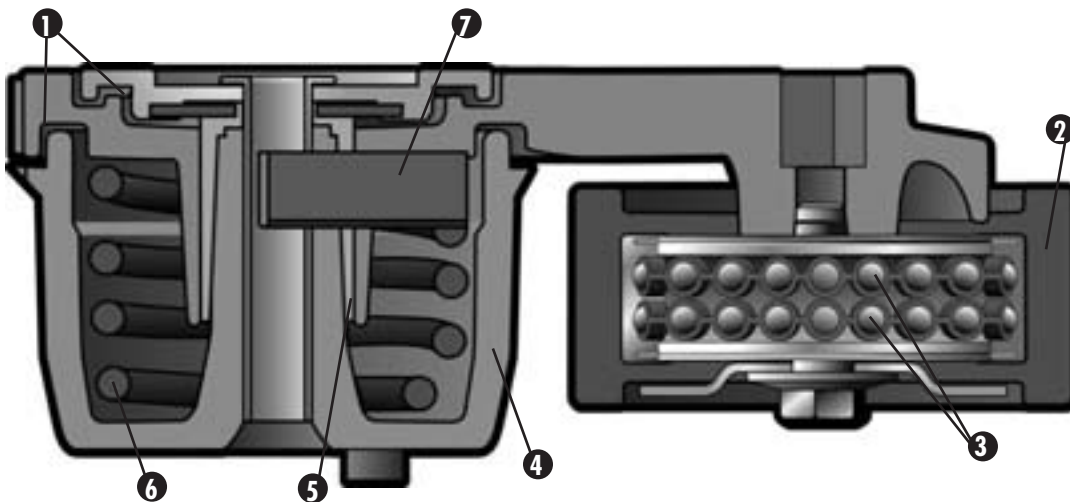
But not DriveAlign heavy-duty tensioners. They're engineered to exceed demanding OEM requirements with such features as:

- Heavy-duty cast aluminum base and arm for extra strength and accurate alignment
- High-tech composite damping system to reduce vibration — maximizing tensioner and belt life
- Precision double row pulley bearing which reduces friction and extends life

In fact, in laboratory tests when tested under extreme peak-to-peak vibration and contamination tests DriveAlign heavy-duty tensioners lasted up to three times longer than competitive aftermarket tensioners.

Best of all, the DriveAlign heavy-duty tensioner line gives you maximum coverage with minimal inventory.

- 1 Labyrinth Seal** — Prevents contamination of internal parts for maximum durability and service life.
- 2 Machined Steel Pulley** — Reduces surface wear while shielding internal bearings from outside contaminants.
- 3 Double Row Bearings** — Twin rows of bearings minimize friction for reduced bearing wear and noise.
- 4 Optimized Components** — Engineered for minimum unit weight but maximum strength and durability.
- 5 Patented Design** — Provides superior belt alignment and tension for improved drive efficiency and life.
- 6 Round Spring Wire** — Chrome-silicon torsion spring for less flex-fatigue than flat-wire designs.
- 7 Patented Damping Mechanism** — Provides maximum stability — reducing vibration and increasing tensioner life.



Accessory Drive Automatic Belt Tensioners For Fleet & Heavy-Duty Vehicles



38103



38133



38140



38172



38191



38256



38258



38261



38324



38329



38330



38501



38502



38503



38504



38505

Accessory Drive Automatic Belt Tensioners

For Fleet & Heavy-Duty Vehicles



38506



38507



38508



38509



38510



38511



38512



38513



38514



38516



38517



38518



38519



38520

Accessory Drive Automatic Belt Tensioners For Fleet & Heavy-Duty Vehicles



38521



38522



38523



38524



38525



38526



38527



38528



38529



38530



38531



38532



38534

Accessory Drive Automatic Belt Tensioners

For Fleet & Heavy-Duty Vehicles



38535



38536



38537



38539



38545



38548



38550



38551



38552



38556



38557



38567

Accessory Drive Automatic Belt Tensioners For Fleet & Heavy-Duty Vehicles



38569



38578



38579



38586



38589



38591



38597



38598



38599



38611



38613



38617

Accessory Drive Idler/Tensioner Pulleys

For Fleet & Heavy-Duty Vehicles



36092



36093



36094



36095



36096



36098



38022



38028



38053



38075



38076