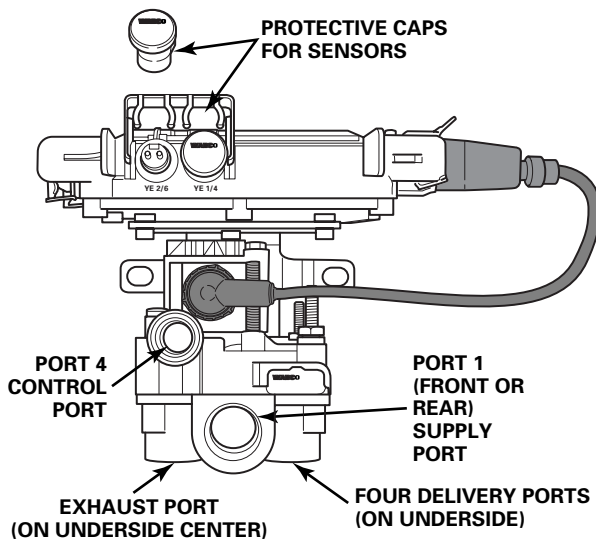


# MERITOR WABCO

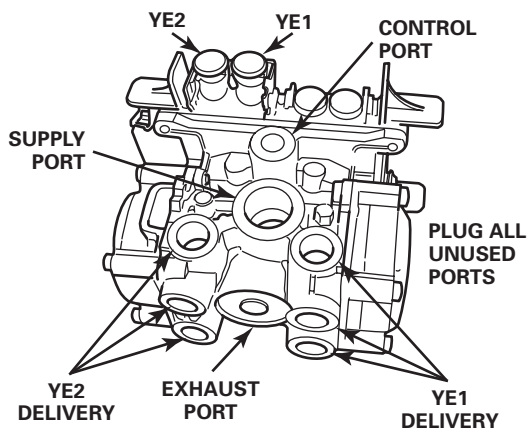
## ENHANCED EASY-STOP™ with PLC TRAILER ABS

### ECU/MODULATOR VALVE ASSEMBLIES

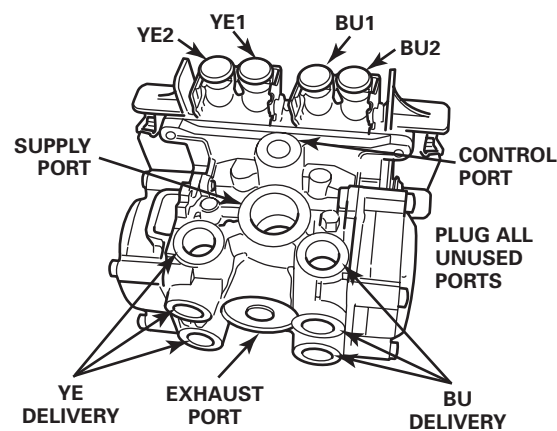
#### 2S/1M BASIC



#### 2S/2M STANDARD

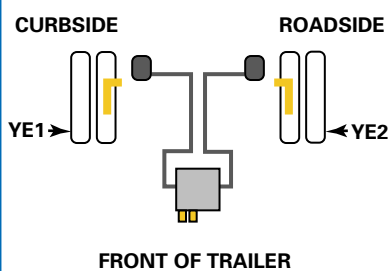


#### 2S/2M, 4S/2M, 4S/3M PREMIUM

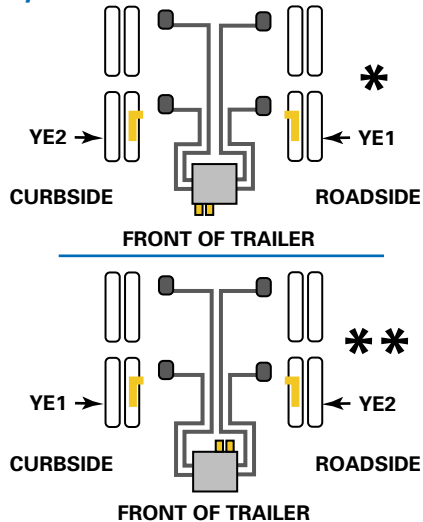


### SENSOR LOCATION VARIES BY INSTALLATION (Common Installations)

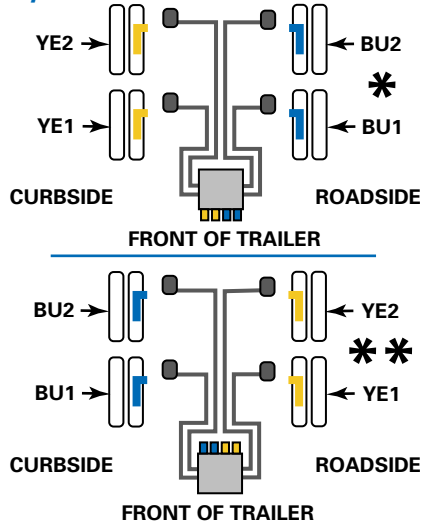
#### 2S/1M



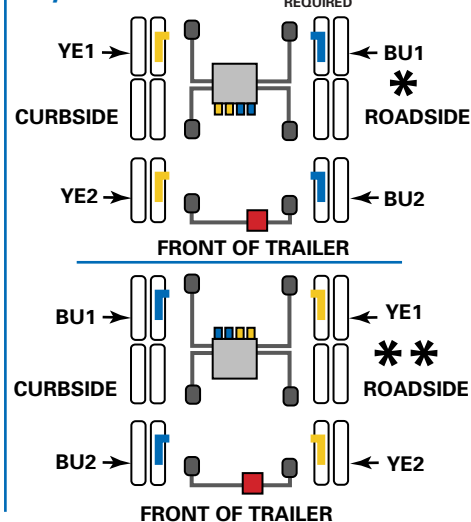
#### 2S/2M STANDARD



#### 4S/2M



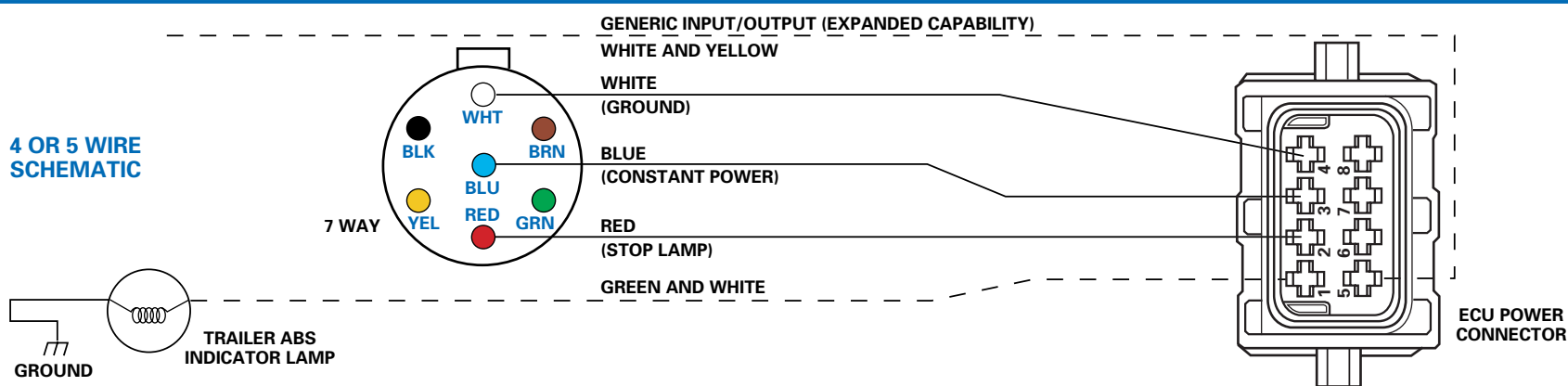
#### 4S/3M TRI-AXLE



EXTERNAL MODULATOR VALVE (RED) AND CABLE REQUIRED

- \* ECU/VALVE ASSEMBLY MTD WITH SENSORS FACING FRONT OF TRAILER
- \*\* ECU/VALVE ASSEMBLY MTD WITH SENSORS FACING REAR OF TRAILER

### WIRING



### CABLES

POWER CABLE AVAILABLE WITH INDUSTRY-STANDARD CONNECTOR (SHOWN) OR BLUNT CUT



OPTIONAL POWER DIAGNOSTIC CABLE (ALL)



2S/1M BASIC — Connects Valve to ECU



ABS MODULATOR VALVE CABLE (4S/3M ONLY)



OPTIONAL ABS MODULATOR VALVE GENERIC I/O CABLE (4S/3M PREMIUM ONLY)

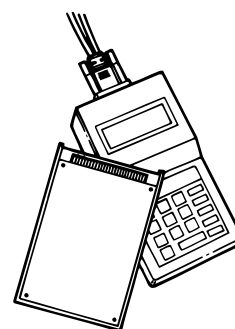


OPTIONAL GENERIC I/O CABLE (2S/2M OR 4S/2M PREMIUM ONLY)



### DIAGNOSTICS

#### • TOOLBOX



#### • PRO-LINK

#### • BLINK CODES

