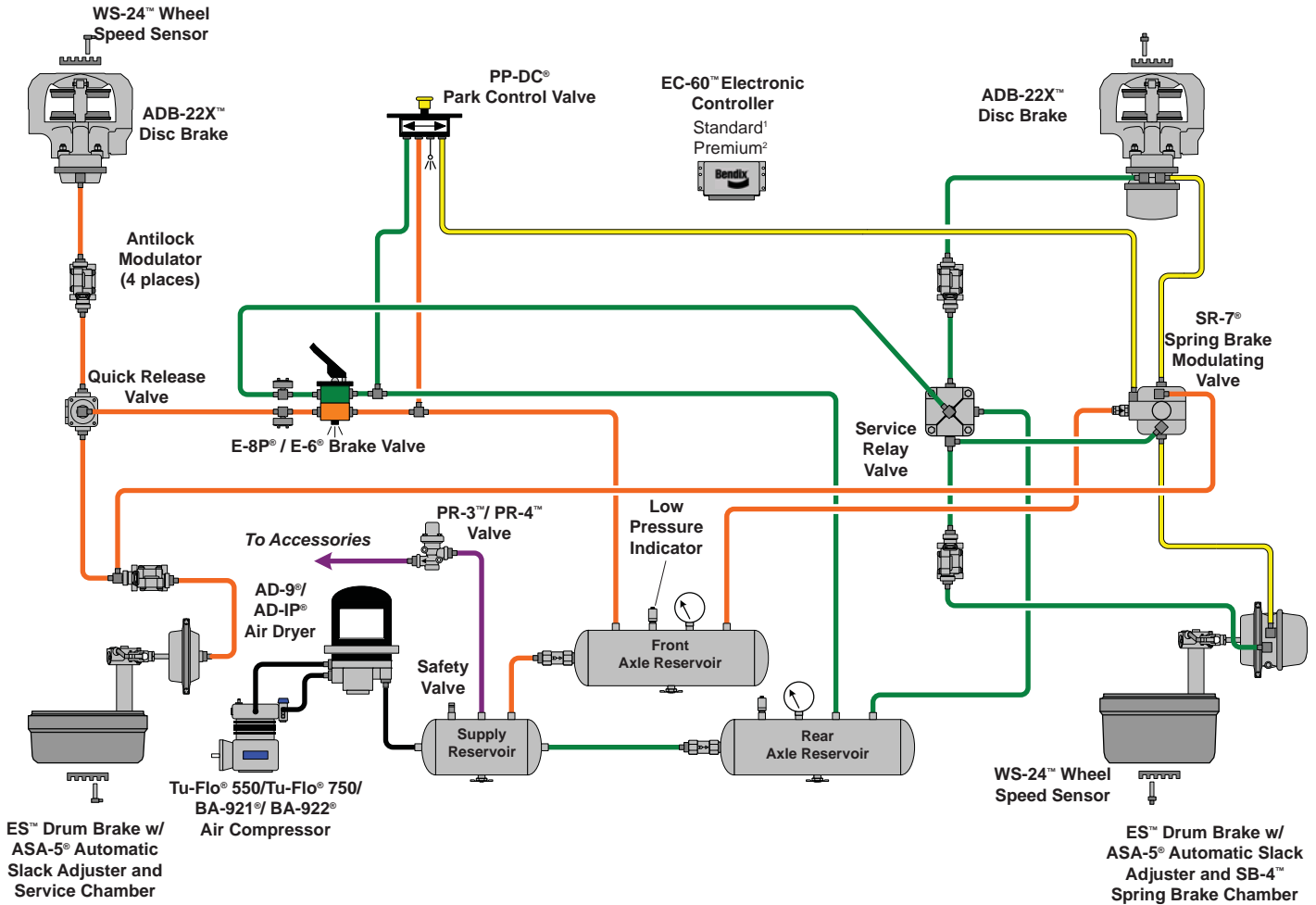


Typical Truck System Schematic



Notes:

The color coding of the brake system schematic follows TMC Recommended Practice #423.
 Air disc & drum brake actuation combined on a single axle are shown for pictorial purposes only.
¹ Equipped with standard Bendix® ABS Antilock Brake System
² Equipped with Bendix® ABS and Smart ATC™ Traction Control

TRUCKS AND TRUCK TRACTORS:					
Charging	Primary	Secondary	Park (Supply)	Parking (Control)	Accessories