

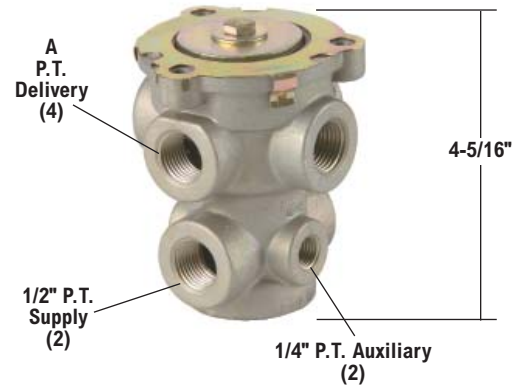
## E-2™ Brake Valve (Basic)

- Available Remanufactured Exchange
- Maintenance Kits
  - Pc. No. 276119N Minor Repair
  - Pc. No. 289324N Major Repair

Treadle and Mounting Plate  
Not Furnished. If Required, Refer To  
Master Parts Catalog.

V.M.R.S. 13-010-019

Reman. Exch. Pc. No.	Service New Pc. No.	A Pipe Thread (Delivery)
229500RX	229500N	3/8"
229501RX	229501N	1/2"

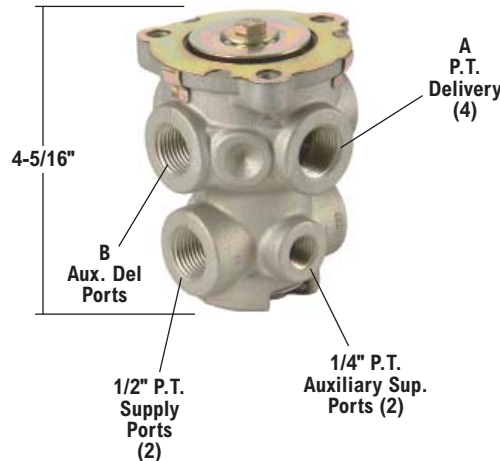


## E-3™ Brake Valve (Basic)

- Available Remanufactured Exchange
- Maintenance Kits
  - Pc. No. 276119N Minor Repair
  - Pc. No. 289329N Major Repair

Treadle and Mounting Plate  
Not Furnished. If Required Refer To  
Master Parts Catalog.

V.M.R.S. 13-010-019



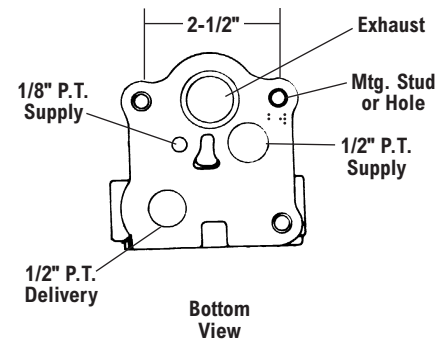
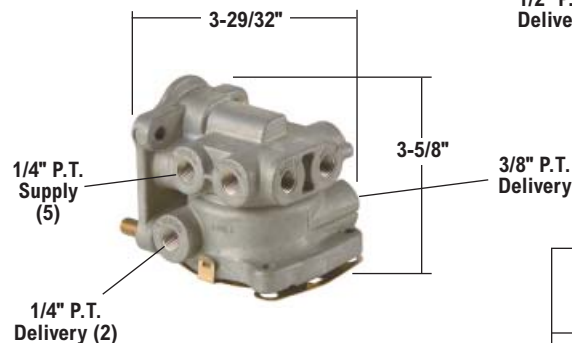
Reman. Exch. Pc. No.	Service New Pc. No.	A Pipe Thread (Delivery)	B Auxiliary Ports
277863RX	277863N	1/2"	NONE
278998RX	278998	1/2"	2-1/4"

## E-5™ Brake Valve (Basic)

- Available Remanufactured Exchange
- Maintenance Kits
  - Pc. No. 281084N Minor Repair
  - Pc. No. 289334N Major Repair

Pedal and Mounting Plate Not  
Furnished. If Required Refer To Master  
Parts Catalog.

V.M.R.S. 13-010-019



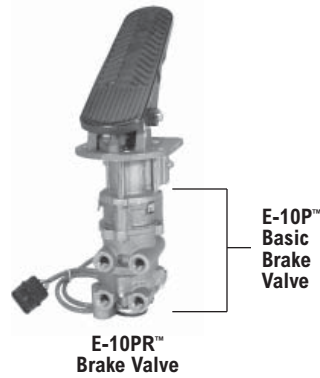
Service New Pc. No.
279950N

## E-8P®, E-10P™ & E-10PR™ Dual Brake Valves

- Maintenance Kits  
Pc. No. 287368N Minor Repair  
Pc. No. 289335 Major Repair

V.M.R.S. 13-010-051

Service New E-8P® Brake Valve	Replaces E-12™ Brake Valve	Comments*
800629	065313, 800583	Lower Body Rotated 90°
800630	065458	Lower Body Rotated 90°
800631	065460, 800407	1/2" NPT Exhaust
802924	–	High Temp
800599	–	PTC Fittings



Service New E-10P™ Brake Valve	Replaces E-15™ Brake Valve
800632	065315
	800318

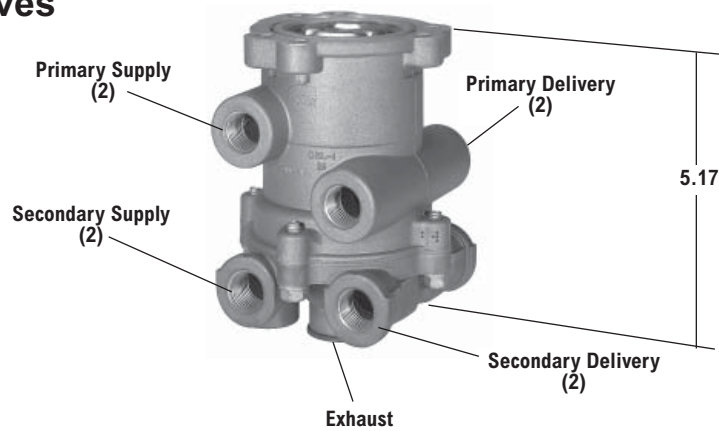
Service New E-10P™ Brake Valve	Replaces E-15R™ Brake Valve
800632	800319

\*PTC - Push To Connect Fittings

## E-12™ & E-15™ Dual Brake Valves

- Maintenance Kit  
Pc. No. 108367 Minor Repair

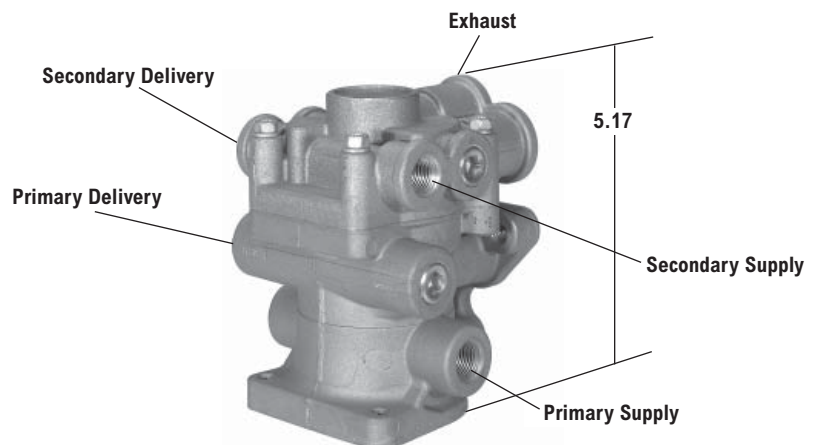
V.M.R.S. 13-010-051



## E-14™ Dual Brake Valve (Basic)

- Maintenance Kit  
Pc. No. 108367 Minor Repair

V.M.R.S. 13-010-051

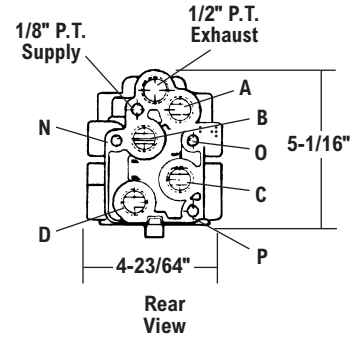
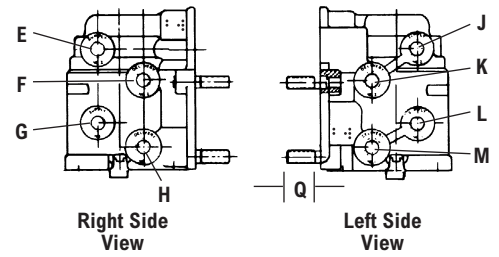


## E-7™ Dual Brake Valve (Basic)

- Available Remanufactured Exchange
- Maintenance Kits
  - Pc. No. 289352N Minor Repair
  - Pc. No. 289353 Major Repair

Pedal and Mounting Plate Not Furnished. If Required Refer To Master Parts Catalog.

V.M.R.S. 13-010-051



Reman. Exch. Pc. No.	Service New Pc. No.	Port Thread Sizes & Locations												Mtg. Studs in Positions "N", "O" "P" Above	Stud Length Q	Stud Thread Size
		A	B	C	D	E	F	G	H	J	K	L	M			
†284760RX	†284760N	No Thd	No Thd	No Thd	No Thd	1/4	-	1/4	-	-	-	-	-	No	-	-
286773RX	286773	1/2	1/2	1/2	1/2	1/4	1/4	1/4	1/4	1/4	1/4	1/4	1/4	Yes	1-1/2"	3/8"-24
286775RX	-	1/2	1/2	1/2	1/2	1/4	1/4	1/4	1/4	1/4	1/4	1/4	1/4	Yes	3/4"	3/8"-16
287411RX	287411N	1/2	1/2	1/2	1/2	1/4	1/4	1/4	1/4	3/8	3/8	3/8	3/8	No	-	-
*287564RX	*287564N	1/2	1/2	1/2	1/2	1/4	3/8	1/4	3/8	1/4	1/4	1/4	1/4	Yes	15/16"	3/8"-16
*288383RX	*288383N	1/2	1/2	1/2	1/2	1/4	1/4	1/4	1/4	1/4	1/4	1/4	1/4	No	-	-
101818RX	101818N	1/2	1/2	1/2	1/2	1/4	3/8	1/4	3/8	1/4	3/8	1/4	3/8	No	-	-

† Ford Basic Valve Kit: INCLUDES BASIC VALVE & 10 SEALING RINGS

\* EXHAUST PORT CONTAINS DIAPHRAGM

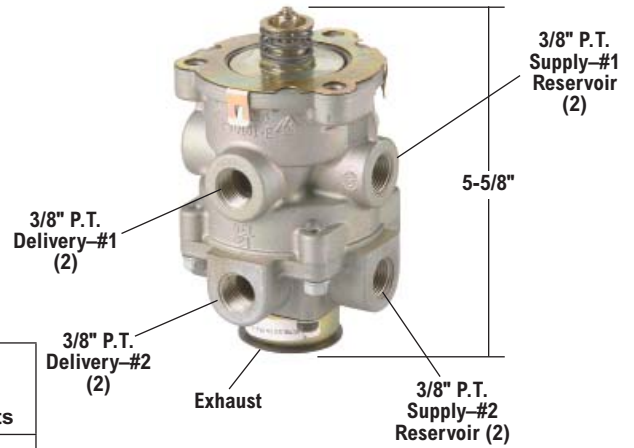
## E-6® Dual Brake Valve (Basic)

- Available Remanufactured Exchange
- Maintenance Kits
  - Pc. No. 287368N Minor Repair
  - Pc. No. 5019319 Minor Repair - High Temp
  - Pc. No. 289335 Major Repair

Treadle and Mounting Plate Not Furnished.  
If Required Refer To Master Parts Catalog.

V.M.R.S. 13-010-051

Reman. Exch. Pc. No.	Service New Pc. No.	Comments
286171RX	286171N	
-	802911	High Temp.

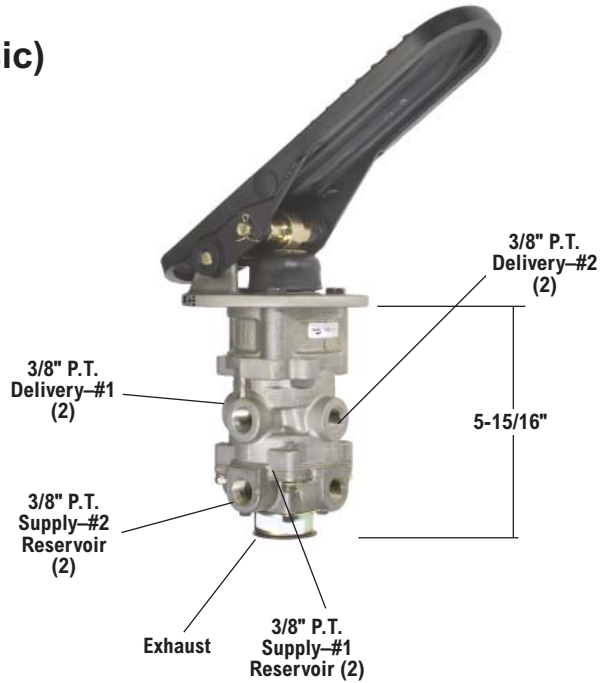


## E-10™ Dual Brake Valves (Basic)

- Maintenance Kit
  - Pc. No. 102100

Treadle and Mounting Plate Not Furnished.  
If Required, Refer to Master Parts Catalog.

V.M.R.S. 13-010-051



Reman Exch. Pc. No.	Service New Pc. No.
101100RX	101100N

## BVA-85™ Brake Valve Actuator

Service New Pc. No.	Comments*
5009593	1/4" PTC Port
5009594	1/4" NPT Port
K039060	1/4" NPT Port - High Temp.

\*PTC - Push To Connect Fittings

