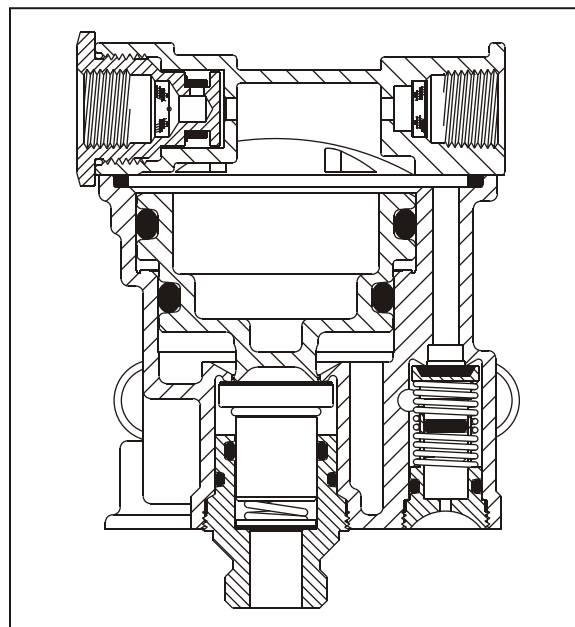
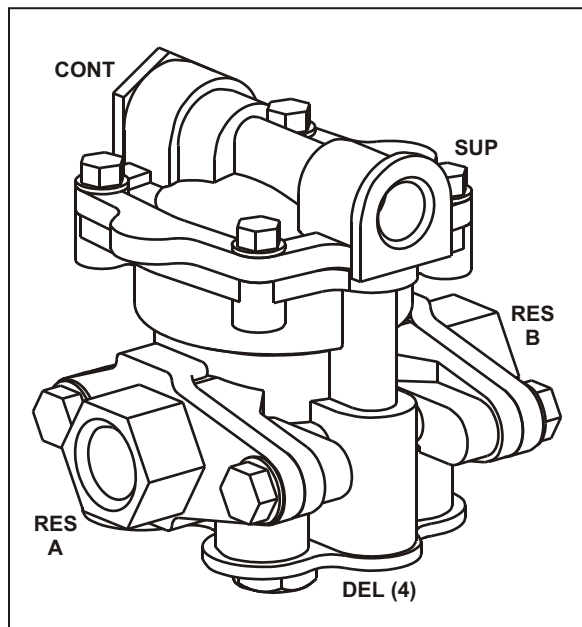


# SPRING BRAKE CONTROL VALVES

## Spring Brake Control Valves – Protected Reservoir System



### INFORMATION:

- The protected reservoir system is used on trailers with two reservoirs & allows air to be supplied from second reservoir in the event of a single leakage failure
- Complies with FMVSS 121 regulations including Docket 90-3 effective October 8, 1992
- Mounting Hardware on pages 61 & 62 • Piping examples on pages 70, 71, 72 & 74
- **PLUG UNIT ASSEMBLY 110175** for pre - 10/92 trailers
- **PLUG UNIT ASSEMBLY 110609** for post - 10/92 trailers
- **MAJOR REPAIR KIT 110185** • **MINOR REPAIR KIT 110195**

PART NUMBER	PORT SIZES (NPT)					COVER ROTATE	COVER PICTURE
	Supply	Control	Reservoir A	Reservoir B	Delivery (4)		
110170	3/8"	3/8"	1/2"	1/2"	3/8"	None	
110171	3/8"	3/8"	1/2"	3/8"	3/8"	90°	
110191	3/8"	3/8"	3/8"	1/2"	3/8"	90°	
110310	3/8"	3/8"	3/8"	1/2"	3/8"	None	
110315	3/8"	3/8"	1/2"	3/8"	3/8"	None	